



**Owner's Handbook
Instruktieboekje
Manuel du Conducteur
Betriebsanleitung
Manuale di Istruzioni
Manual del Conductor
Manual do Proprietário**





RANGE ROVER

CONTENTS

<i>SECTION 1</i>	<i>Introduction</i>	<i>1</i>
<i>SECTION 2</i>	<i>Controls & instruments</i>	<i>7</i>
<i>SECTION 3</i>	<i>Driving & operating</i>	<i>87</i>
<i>SECTION 4</i>	<i>Owner maintenance</i>	<i>133</i>
<i>SECTION 5</i>	<i>General data</i>	<i>177</i>
<i>SECTION 6</i>	<i>Parts & accessories</i>	<i>189</i>
<i>SECTION 7</i>	<i>Off-road driving</i>	<i>193</i>
	<i>Index</i>	<i>205</i>



As part of Land Rover environmental policy, this publication is printed on paper made from chlorine free pulp.

SECTION 1

Introduction

OWNER'S HANDBOOK

This handbook covers all current versions of the 4.0 and 4.6 litre V8i petrol engine and 2.5 litre diesel engine Range Rover models and, together with the Service Portfolio book, provides all the information that you will need to derive maximum pleasure from owning and driving your new vehicle.

For convenience, the handbook is divided into sections, each dealing with a particular aspect of driving or caring for the vehicle. Sections are listed on the contents page and you will find it worthwhile to take a little time to read each one, and to get to know your Range Rover as soon as you possibly can. Remember, the more you understand before you drive, the greater the satisfaction when you are seated behind the steering wheel.

The specification of each vehicle will vary according to territorial requirements and also from model to model within the vehicle range. Some of the information published in this handbook, therefore, may not apply to your particular vehicle. If you are in any doubt, then contact your Dealer.

Section Contents	Page
Service Portfolio	3
Engine compartment labels	4
Vehicle identification	5
Anti-theft precautions	5
Breakdown safety code	6

Land Rover operates a policy of constant product improvement and, therefore, reserves the right to change specifications without notice at any time. Whilst every effort is made to ensure complete accuracy of the information in this handbook, no liabilities for inaccuracies or the consequences thereof, including loss or damage to property, or injury to persons, can be accepted by the manufacturer or the dealer, except in respect of personal injury caused by the negligence of the manufacturer or the dealer.

All rights reserved. No part of this publication may be reproduced, stored in a retrieval system or transmitted, in any form, electronic, mechanical, photocopying, recording, or other means without prior written permission from Land Rover Group Limited.

Introduction

SERVICE PORTFOLIO

The Service Portfolio book included in your literature pack contains important vehicle identification information and details of your entitlement under the terms of the Land Rover warranty, as well as useful consumer advice.

Most important of all, however, is the section on maintenance. This outlines the servicing requirements for your Range Rover and also incorporates the service record slips, which the Dealer should sign and stamp to certify that routine services have been carried out at the recommended intervals.

WARNING

Safety warnings are included in this handbook. These indicate either a procedure which must be followed precisely, or information that should be considered with great care in order to avoid the possibility of personal injury or serious damage to the vehicle.

WARNING LABELS ATTACHED TO THE VEHICLE



Warning labels attached to your vehicle bearing this symbol mean: **DO NOT touch or adjust components until you have read the relevant instructions in the handbook.**



Warning labels showing this symbol indicate that the ignition system utilises very high voltages. **DO NOT touch any ignition components while the starter switch is turned on!**

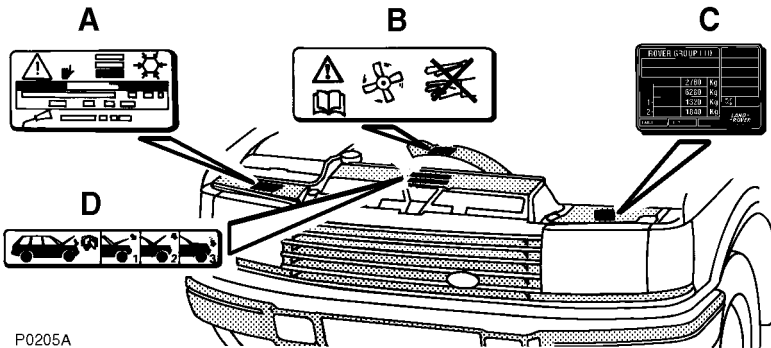
WARNING

Your vehicle has a higher ground clearance and, hence, a higher centre of gravity than ordinary passenger cars. This will result in different handling characteristics. Inexperienced drivers should take additional care, particularly in off-road driving situations and when performing abrupt manoeuvres on unstable surfaces.

Introduction

ENGINE COMPARTMENT INFORMATION LABELS

Various labels are fixed to your vehicle to draw your attention to specific safety information. The following are of particular importance:



P0205A

- A. AIR CONDITIONING**
- B. KEEP CLEAR OF ROTATING PARTS**
- C. VIN LABEL - VEHICLE IDENTIFICATION NUMBER**
- D. BONNET OPENING AND CLOSING INSTRUCTIONS**

On vehicles with an airbag SRS, remember to take careful note of warning information labels that may be attached to the sun visor or other parts of the vehicle.

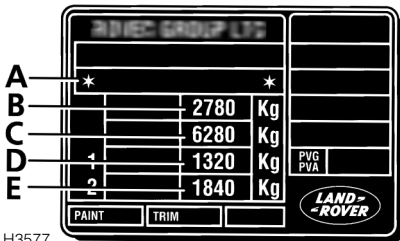
Introduction

VEHICLE IDENTIFICATION

If you need to communicate with a Land Rover dealer, you may be asked to quote the Vehicle Identification Number (VIN).

The VIN (and recommended maximum vehicle weights) is stamped on a label fixed to the top panel above the left hand headlight (viewed from the driver's seat). This should also match the VIN recorded in the Service Portfolio book.

In addition, as a deterrent to car thieves and to assist the police, the VIN is also stamped on a plate which is visible through the left side of the windscreen.



H3577

- A. Vehicle Identification Number (VIN)
- B. Gross vehicle weight (where required)
- C. Gross train weight (where required)
- D. Maximum front axle load (where required)
- E. Maximum rear axle load (where required)

ANTI-THEFT PRECAUTIONS

While it may be difficult to deter the 'professional' car thief, the majority of thefts are carried out by unskilled opportunists. Therefore, take vehicle security very seriously and ALWAYS adopt this simple 'four point' drill whenever you leave your vehicle - even for just a few minutes:

1. Fully close all the windows (and the sunroof).
2. Remove your valuable belongings (or hide them out of sight).
3. Remove the starter key.
4. Superlock the vehicle using the remote handset.

Thieves are attracted by 'vulnerable' vehicles. Even if you have followed the 'four point' drill, there is still much you can do to make your vehicle a less inviting target.

BE SAFE - NOT SORRY!

- Park where your vehicle can be easily seen by householders and passers-by.
- At night, park in well lit areas and avoid deserted or dimly-lit side streets.
- At home, if you have a garage, use it - and NEVER leave the keys in the vehicle.
- Do not keep important documents (or spare keys) in the vehicle - these are a real bonus for the thief.

Introduction

IMPORTANT INFORMATION

Remember the breakdown safety code

If a breakdown occurs while travelling:-

- Wherever possible, consistent with road safety and traffic conditions, the vehicle should be moved off the main thoroughfare, preferably into a lay-by. If a breakdown occurs on a motorway, pull well over to the inside of the hard shoulder.
- Switch on hazard lights.
- If possible, position a warning triangle or a flashing amber light at an appropriate distance from the vehicle to warn other traffic of the breakdown. (Note the legal requirements of some countries).
- Consider evacuating passengers through nearside doors onto the verge as a precaution should your Range Rover be struck by another vehicle.

SECTION 2

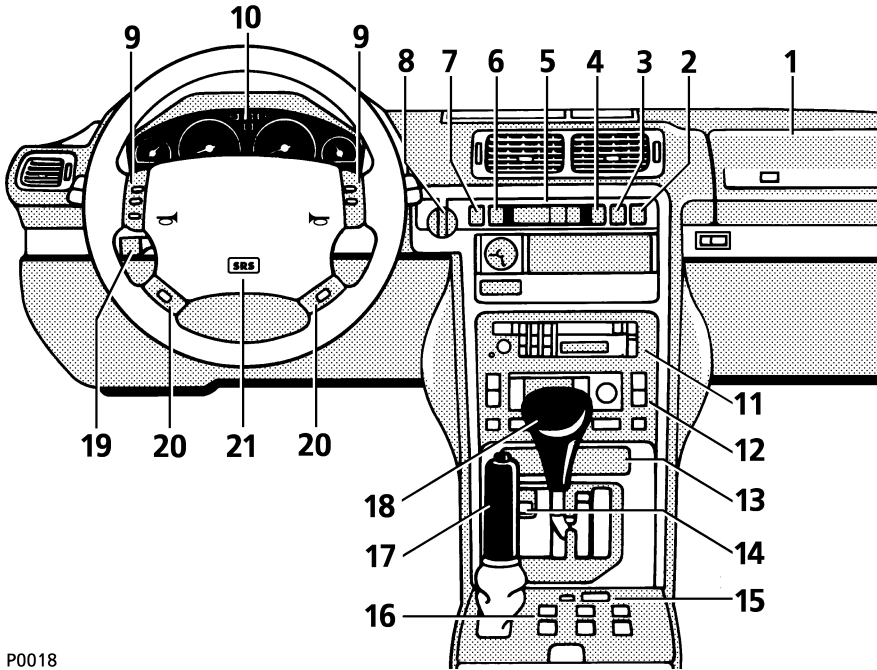
Controls & instruments

In this section of the handbook you will find descriptions of the controls and instruments on your vehicle.

For your own safety, it is most important to read this section fully and to gain a thorough understanding of all the controls before driving.

Section Contents	Page
Controls	9
Security card	10
Locks & alarm	11
Tailgate	22
Message centre	23
Seats	34
Seat belts	42
Airbag SRS	47
Steering column	53
Door mirrors	54
Instruments	56
Warning lights	58
Lights & indicators	62
Wipers & washers	64
Switches	67
Electric windows	69
Electric sunroof	72
Heating & ventilating	75
Interior equipment	81
In-car telephones	86

Controls



P0018

1. Passenger airbag SRS
2. High/low gear range switch (manual gearbox)
3. Cruise control master switch (if fitted)
4. Hazard warning switch
5. Air suspension switches
6. Rear fog guard light switch
7. Front fog light switch (if fitted)
8. Lighting switch
9. Remote radio/cassette/CD player switches (if fitted)
10. Instrument panel
11. Radio/cassette/CD player
12. Heater/air-conditioning controls
13. Ashtray/cigar lighter
14. Automatic gearbox mode switch (if fitted)
15. Exterior mirror operating switches
16. Window and sunroof operating switches
17. Handbrake
18. Automatic gear selector or manual gear lever
19. Steering column adjustment lever
20. Cruise control switches (if fitted)
21. Driver's airbag SRS

Security Card

The security card, supplied with the literature pack, contains important emergency information. It is ESSENTIAL that you keep the card safe from theft and ensure that it is passed to the new owner if you sell the vehicle.

- **Key number:** This is the number of the starter/door key - essential if you ever need to obtain a replacement.
- **Emergency key access code:** You will need this code in order to start the vehicle if the handset has been lost or damaged (see '*Emergency key access*' in the '*Locks & alarm*' section).
- **Locking wheel nut number:** If your vehicle has locking wheel nuts, you will have been provided with a special wheel nut socket to remove them. You will need to quote this number to obtain a replacement socket.
- **VIN (vehicle identification number):** This identity number is unique to your vehicle and is essential proof of its specification. The number can also be found in various locations around the vehicle (see '*Vehicle Identification*' in Section 1).
- **Radio security code number:** This unique code must be entered into the radio whenever the power supply has been disconnected. Without this code, the radio unit will not operate (see '*Security code*' in the '*In-Car Entertainment*' book).

WARNING

Never leave the security card inside the vehicle when it is unattended.

Memorise the emergency key access code, or keep the card on your person while driving, in case of emergencies.

Locks & alarm

Your vehicle is fitted with a sophisticated electronic anti-theft alarm and engine immobilisation system. In order to ensure maximum security, you are advised to gain a full understanding of the system by thoroughly reading this section of the handbook.

LOCKING THE VEHICLE AND ARMING THE ALARM

You have been supplied with two handset/keys (numbered 1 and 2). While both are identical in operation, they transmit two different sets of information (see 'Lazy seats'). Replacement handsets are only available from a Land Rover dealer. Up to two further handsets (3 and 4) can also be obtained.

There are four methods for securing your vehicle:

1. 'Superlocking' using the handset - (recommended high security method).
2. 'Superlocking' using the key.
3. Locking using the handset.
4. Locking using the key.

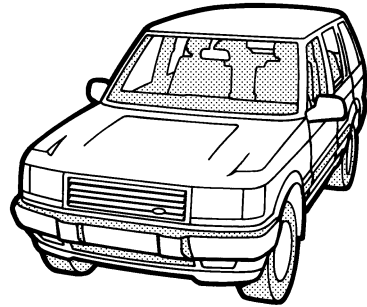
FOR MAXIMUM SECURITY, ALWAYS 'SUPERLOCK' THE VEHICLE USING THE HANDSET

(except when the vehicle is to be locked with passengers or animals inside).

IMPORTANT INFORMATION

Emergency keys

In addition to the two handsets, you have also been supplied with two separate keys. These keys perform the same functions as the key part of the handset and are intended for emergency use only. DO NOT keep the keys inside the vehicle.

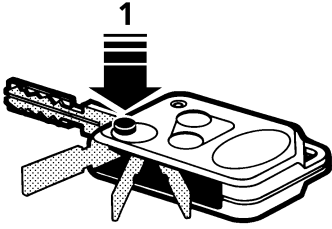


P0025

The handset

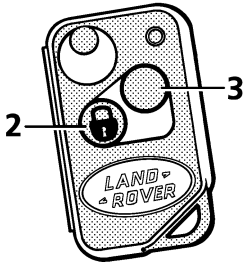
The radio remote handset has three buttons. By pressing the appropriate button, the handset can be used either as a conventional key, or as a remote handset to either lock or 'superlock' the vehicle.

Locks & alarm



P0023

1. Press to release the key, which can then be used as a conventional key to operate the starter switch, glovebox and door locks.



P0022

2. Lock button (padlock symbol)
 - press once to lock.
 - press twice to 'superlock'.
 - press and hold to 'lazy lock' (see 'Lazy locking').
3. Unlock button
 - press once to unlock.
 - press and hold to operate the 'lazy seat' facility (see 'Lazy seats').

Once the security system is armed, the central locking system locks all the doors and the tailgate, the perimeter alarm (protecting the doors, bonnet and tailgate) is armed, and the engine is immobilised.

- If 'handset superlocking' is activated, the volumetric alarm is also armed (a sensor inside the passenger compartment monitors the interior space and activates the alarm if an intrusion into the passenger compartment is detected).

The volumetric sensor will enter a self-check mode each time you turn the starter switch off. It will remain active for 60 seconds, or until:

1. The driver's door is opened and closed.
2. The vehicle is locked with the handset or key.

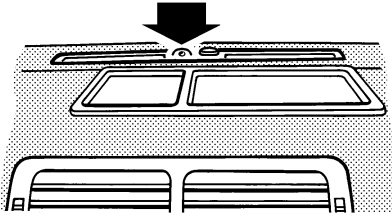
NOTE: If the sensor fails its self-check five times consecutively, only the 'perimetric' elements of the security system will be active (doors, bonnet and tailgate). Any attempt to 'superlock' with the handset will result in 'ALARM FAULT' being displayed on the message centre and a mislock occurring (see 'Mislock'). Seek qualified assistance to rectify the fault.

Switching off the alarm sounder

If the alarm is triggered, it can be turned off in three ways:

- Press the lock button once.
- Press the unlock button once.
- Turn the key in the driver's door to the 'unlock' position (towards the front of the vehicle).

Locks & alarm



P0166

Anti-theft alarm indicator light

After locking the vehicle, the RED indicator light (arrowed in illustration) flashes rapidly for ten seconds to confirm that the security system has been successfully armed. After ten seconds, the indicator light adjusts to a slower frequency, and then continues to flash as an anti-theft deterrent until such time as the security system is disarmed.

If, while operating the handset (or key), the alarm sounds, this indicates that one of the doors, the bonnet or the tailgate is not properly closed (the message centre display will confirm which aperture is not secure).

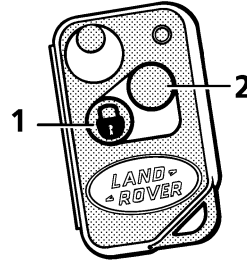
Although the handset can be successfully operated from a significant distance from the vehicle, when locking it is wise to be close enough to visually confirm that the door locking buttons have dropped into place and that the indicator light confirms a successful lock.

NOTE: Occasional atmospheric conditions can significantly reduce the effective range of handset operation. If this occurs, operate the handset closer to the vehicle. In extreme cases, it may be necessary to touch the handset against the radio aerial 'fired' onto one of the rear side windows.

SUPERLOCKING

If the vehicle is 'superlocked' (with either the handset, or the key), the doors CANNOT be unlocked or opened from inside the vehicle.

For this reason DO NOT superlock the vehicle with passengers inside.



P0200

'Superlocking' using the handset:

Press and release the 'lock' button (1) on the handset twice (within 1½ seconds). After 15 seconds you will hear 'superlocking' engage.

If any door, the bonnet or tailgate is left open, a mislock will occur (see 'Mislock').

If a window or sunroof is open, superlocking will engage immediately, however volumetric protection will not be activated.

To unlock:

Press and release the 'unlock' button (2) on the handset once.

If the handset is inoperative, the vehicle can be unlocked by using the emergency key access code (see 'Emergency key access').

Locks & alarm

'Superlocking' using the key:

Wherever possible the handset MUST be used to 'superlock' the vehicle. However, if the handset is inoperative, the key can be used as follows:

Turn the key in the driver's door towards the rear of the vehicle (and release) twice within 1½ seconds.

NOTE: 'Superlocking' the vehicle using the key will provide perimetric protection only - volumetric protection (protection of the interior space inside the vehicle) WILL NOT BE ACTIVE! If any door, the bonnet, or the tailgate is left open, a mislock will occur (see 'Mislock').

To unlock:

Wherever possible use the handset to unlock the vehicle - press and release the 'unlock' button.

If necessary, the key can be used to unlock a 'superlocked' vehicle, but before the engine can be started, it will be necessary to release the engine immobilisation function by entering the emergency key access code (see 'Emergency key access').

IMPORTANT INFORMATION

If unattended passengers are to be left in the vehicle, DO NOT superlock. Unattended passengers should lock the vehicle from inside by pressing down the driver's door sill button.

If animals are to be left in the vehicle, volumetric protection MUST NOT be activated - any movement inside the vehicle could trigger the alarm.

DO NOT leave children unattended in the vehicle!

WARNING

NEVER 'superlock' the vehicle if passengers are to be left inside - 'superlocking' prevents door locks from being operated from INSIDE as well as outside the vehicle!

NOTE: If the handset 'lock' button or the door key are operated once, the central locking will be activated, but the alarm will only be in 'perimetric' mode and the doors and locks CAN be opened from the inside. ALWAYS, where possible secure the vehicle by 'superlocking'.

'Sill' locking

To operate the central locking from inside the vehicle, push down either front door sill button.

The security system will NOT be armed.

NOTE: 'Sill' locking (also known as slam locking) is NOT possible from outside the vehicle.

Locks & alarm

ENGINE IMMOBILISATION

Engine immobilisation is an important aspect of the Range Rover's security system, and includes a feature known as 'passive immobilisation'. This is designed to safeguard the vehicle from theft should the driver forget to lock the doors. The engine is automatically immobilised whenever any of the following conditions occur.

1. When the vehicle is locked using the handset or key.
2. Thirty seconds after the starter switch has been turned off AND the driver's door opened.
3. Ten minutes after the starter switch has been turned off (even if the key remains in the starter switch and the driver's door has not opened).

IMPORTANT INFORMATION

It is virtually impossible to leave the car unattended or attended without the engine being immobilised automatically. For this reason it is important that all drivers are fully aware of the following:

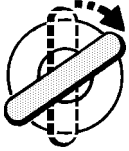
The engine is re-mobilised by pressing the 'unlock' button on the handset or inserting the key in the starter switch.

If the handset is lost or damaged and fails to operate, the engine must be re-mobilised by entering the emergency key access code before the vehicle can be driven (see 'Emergency key access').

Locks & alarm

EMERGENCY KEY ACCESS

If the handset is lost or fails to operate, the engine can be re-mobilised by using the key to enter a unique four digit emergency key access code. The code is recorded on the Security Information card and is entered as follows:



1. Using the key, turn the driver's door lock to the LOCK position 4 times and return the key to the centre position (as shown) after each turn of

the key. It is now possible to use the key to enter the separate numerical values of the four digits that make up the emergency key access code.

IMPORTANT INFORMATION

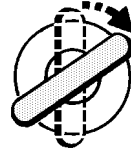
When entering a code:

- ENSURE each key movement is carried out with care and precision and turned through the full extent of its travel.
- After turning the key to either the lock or unlock positions, make sure it is FULLY returned to the centre (vertical) position.
- If you forget your place in the sequence of key operations and, therefore, do not complete a code, open and then shut the door and start entering the code again (this will not count as a failed attempt).



2. Enter the FIRST digit of the code. If the first digit is 4, turn the key (clockwise) to the UNLOCK position 4 times.

Ensure the key is FULLY returned to the centre position after each turn of the key.



3. Enter the SECOND digit of the code. If the second digit is 3, turn the key to the LOCK position 3 times. Remember; the key must be FULLY

returned to the centre position after each turn of the key.



4. Enter the THIRD digit of the code. If the third digit is 2, turn the key to the UNLOCK position twice, ensuring that the key is FULLY returned to

the centre position after each turn of the key.



5. Enter the FOURTH digit of the code. If the fourth digit is 1, turn the key to the LOCK position once. Ensure the key is FULLY returned to the

centre position after the key has been turned.



6. FINALLY, turn the key to the UNLOCK position once more to disarm the alarm and re-mobilise the engine. If the code has been entered

successfully, the anti-theft alarm indicator light will extinguish, the doors will unlock and the engine can be started.

Locks & alarm

NOTE: During the access procedure, the anti-theft indicator light will continue to flash (indicating that the alarm is still partially armed).

NOTE: If the handset is inoperable, the emergency key access code must be entered EVERY time you need to start the engine.

If an incorrect code has been entered:

If the code has been entered incorrectly, the anti-theft alarm indicator light will continue to flash. In this case, return to '1' and re-enter the code.

After three failed entry attempts, the security system invokes a delay period of thirty minutes during which the system will not accept any further attempts to enter a code.

WARNING

- **NEVER leave the Security Information card in the vehicle.**
 - **Memorise the emergency key access code or keep the Security Information card on your person in case of emergencies (a damaged handset for example).**
-

Locks & alarm

MISLOCK

A mislock will occur if:

- A door, bonnet or tailgate are left open.
- The key is left in the starter switch.
- An incomplete 'lazy lock' is attempted. The message centre will indicate the cause of a mislock e.g. 'SUNROOF BLOCKED'.

If a mislock occurs, a warning 'bleep' will sound in which case you should unlock the vehicle, rectify the cause of the mislock and then re-lock the vehicle.

LAZY LOCKING

'Lazy locking' enables you to use the handset or key to close the windows and sunroof at the same time as you secure the vehicle.

To operate lazy locking:

1. Ensure the doors, bonnet and tailgate are properly closed.
2. With the handset - press and hold the 'lock' button (press twice and hold on the second press if 'superlocking').
With the key - turn and hold the key in the 'lock' position.

The doors and tailgate will lock and the windows, followed by the sunroof will close.

NOTE: *If a window or the sunroof detects an obstruction, a mislock occurs and the locking sequence will stop. Remove the obstruction before trying to 'lazy lock' again.*

LAZY SEATS

The lazy seat facility is available only on vehicles fitted with a driver's seat memory. The facility enables the handsets to be used to recall the pre-set electric seat/mirror positions when you UNLOCK the door. The two handsets are separately identified by different labels and by grey and black battery covers - key 1 corresponds to driver's seat memory 1, and key 2 to seat memory 2 (see 'Seats').

NOTE: *If additional handset/keys have been obtained (key 3 and key 4), they are not linked to the memory seat system.*

Press and hold the 'unlock' button on the handset for 1½ seconds (the indicator light on the handset flashes rapidly), and then release. The driver's seat and both mirrors will move to the positions programmed into the relevant seat memory.

NOTE: *'Lazy seats' will only operate if volumetric protection was activated when the vehicle was locked (ie. by 'superlocking' using the handset).*

It will not function if the alarm system has already been triggered since it was last set, and will be cancelled if a door is opened, or if the vehicle is relocked.

Locks & alarm

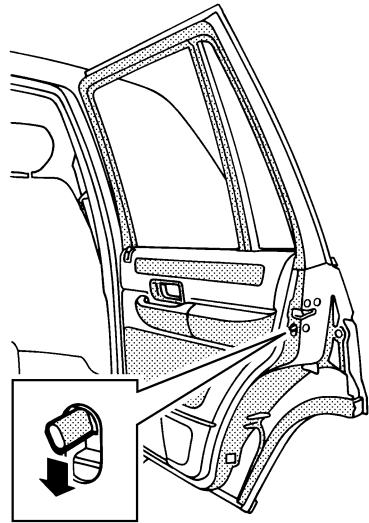
AUTO RELOCK

Auto relock ensures that, if the vehicle is unlocked accidentally, the vehicle will relock itself automatically after a 60 second delay.

Once the 'unlock' button on the handset has been pressed, the alarm system will monitor the vehicle for 60 seconds. If any of the following occur during this period, the vehicle will remain unlocked:

- A door or the tailgate is opened.
- Interior movement is detected.
- The key is inserted into the starter switch, or the switch is turned to position 'I'.

However, if none of the above has occurred within 60 seconds, then the vehicle will automatically return to its previous 'locked' state.



P0019

CHILD-PROOF LOCKS (rear doors only)

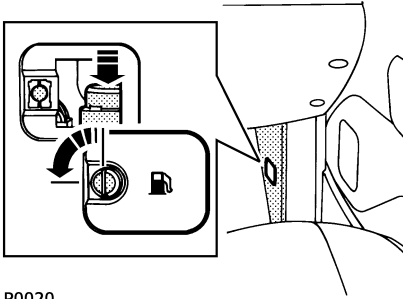
Move the lever downwards (arrowed in illustration) to engage.

With the child-proof locks engaged, the rear doors cannot be opened from inside the vehicle, thereby avoiding the risk of a door being opened accidentally while the vehicle is moving.

Opening the doors

When opening a door from outside the vehicle, it is recommended that the moving part of the handle is held by the fingers and that the door catch is operated by pushing with the thumb against the fixed part of the handle.

Locks & alarm



P0020

INERTIA CUT-OFF SWITCH

This switch is a safety device that automatically unlocks the doors in the event of an accident or sudden impact (provided the starter switch is turned on). In addition, the inertia switch inhibits power to the electric fuel pump, turns off the heating and air conditioning fans, and turns on the hazard warning lights, which continue flashing until either the starter switch is turned off or the inertia switch is reset.

The switch is located behind the vertical panel in the right hand footwell. Remove the cover by using a coin to rotate the turnbuckle anti-clockwise and then prise the cover off.

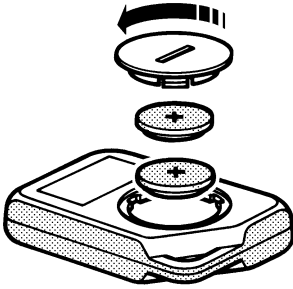
When the switch is tripped, the message centre will alternately display; 'REFER HANDBOOK' and 'INERTIA SWITCH'.

To reset the switch, press the rubber top (arrowed in illustration).

NOTE: *The vehicle can be secured even if the switch has been tripped by removing the starter key, opening and closing one of the front doors and then locking the vehicle.*

WARNING

Always check for fuel leaks before resetting the switch!



P0024

Handset batteries

When the batteries need replacing, the message centre will display 'KEY BATTERY LOW'. To replace:

- Remove the battery cover by turning the cover anti-clockwise with a coin.
- Taking care not to touch the circuit board, prise the batteries from the cover and fit new ones (with the positive side facing the cover), and replace the cover.

The batteries should be replaced within 1 minute of removing the old ones, otherwise it may be necessary to re-synchronise the handset (see '*Handset synchronisation*'). New batteries are available from your dealer.

NOTE: *Finger marks on the batteries will adversely affect battery life. If possible, avoid touching the surface of the batteries, and wipe clean before fitting.*

Handset synchronisation

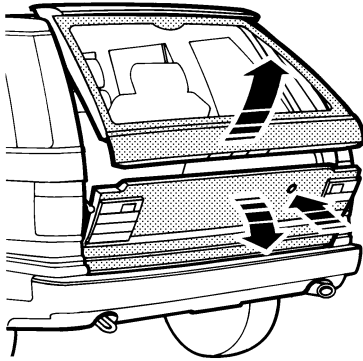
The handset transmits a coded message, which changes each time a button is pressed. If a handset is operated too many times out of range of the vehicle or if the handset batteries are removed for longer than a minute, it may need to be re-synchronised.

To synchronise:

Insert the handset key into the starter switch; the handset will then be re-synchronised.

NOTE: *Handset synchronisation cannot be achieved if the vehicle alarm is armed or if the handset batteries need replacing.*

Tailgate



P0026

OPENING THE TAILGATE

With the vehicle unlocked, press the release button once to release the upper tailgate.

NOTE: *There is a handle built into the lower edge of the upper tailgate to assist in opening and closing.*

With the upper tailgate open, press the release button again to release the lower tailgate, which can then be lowered to the horizontal position.

NOTE: *The tailgate cannot be opened if the vehicle battery is flat or disconnected. If this occurs, access to the loadspace can only be achieved by folding the rear seats from inside the vehicle (see 'Seats').*

CLOSING THE TAILGATE

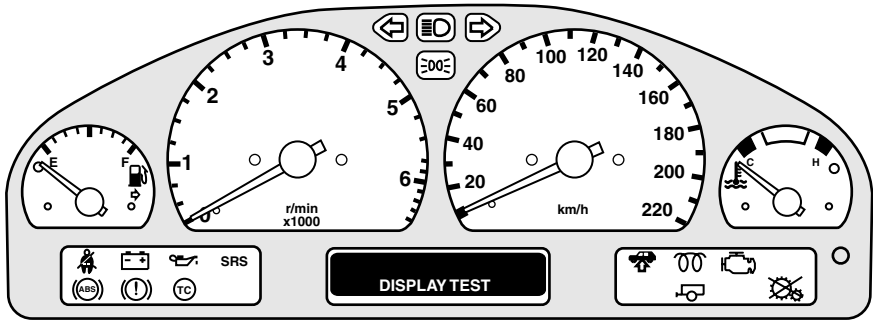
Raise the lower tailgate first and close firmly. Then lower and close the upper tailgate.

WARNING

Do not drive with the tailgate open; poisonous carbon monoxide fumes will enter the vehicle.

Always check that the tailgate is secure before driving and before leaving the vehicle unattended.

Message centre



H3093

Driver warning and information messages are displayed on the message centre in the lower part of the instrument pack. Messages have different priority levels and are grouped into the following categories.

CRITICAL WARNINGS

Critical warning messages are accompanied by an audible warning (three beeps). Messages are displayed continuously while the starter switch is turned on, and remain displayed while the fault persists.

DO NOT ignore these messages - TAKE CORRECTIVE ACTION IMMEDIATELY!

Critical warnings are displayed continuously, normally on the lower line of the message centre, but if more than one message is to be displayed, then the upper display line will also be used.

WARNINGS

Warning messages are non-critical, but must be treated with some urgency. They will also be accompanied by an audible warning (three beeps) each time the message is displayed.

DO NOT ignore these messages - TAKE CORRECTIVE ACTION IMMEDIATELY.

Warning messages are displayed for approximately 4 seconds. If other warning messages are pending, the display time will be reduced to approximately 2 seconds.

INFORMATION MESSAGES

General

All information messages are displayed for approximately 4 seconds. If other messages are pending, the display time will be reduced to approximately 2 seconds. Note that 'Critical Warning' and 'Warning' messages always override 'Information' messages.

These information messages are grouped into three categories:

Category 1

Messages in this category will be accompanied by a single beep when the message is displayed for the first time, and also when the starter switch is turned on or off. At any other time, only the message will be presented - TAKE CORRECTIVE ACTION AS SOON AS POSSIBLE.

Category 2

Messages in this category will be accompanied by a single beep each time the message is displayed - TAKE CORRECTIVE ACTION AS SOON AS POSSIBLE.

Category 3

Messages in this category are NOT accompanied by an audible warning. Only the message will be displayed - TAKE CORRECTIVE ACTION AS SOON AS POSSIBLE.

Message centre

The following are **CRITICAL WARNING** messages and are listed in order of priority.

Message	Meaning	What to do?
ENGINE DISABLED	the engine will not start due to alarm system	press the remote handset unlock button or enter the emergency key access code - see ' <i>Locks & alarm</i> '
PRESS REMOTE or ENTER KEYCODE	as above	as above
KEY CODE LOCKOUT	incorrect code has been entered too many times	wait 30 minutes and try again
MARKET NOT SET	the language for the message centre is not set	seek qualified assistance
SEAT BELT PLEASE	you have not fastened your seat belt	fasten your seat belt
INERTIA SWITCH*	the fuel cut-off switch has been tripped	reset the switch - see ' <i>Locks & alarm</i> '
GEARBOX OVRHEAT *	automatic gearbox oil temperature too high	reduce speed or select lower gear. If message persists, stop vehicle and allow gearbox to cool; seek qualified assistance if message resumes.
TRANSFER OVRHEAT*	transfer gearbox oil temperature too high	reduce speed or select lower gear. If message persists, stop vehicle and allow gearbox to cool; seek qualified assistance if message resumes

Message centre

Message	Meaning	What to do?
DOOR OPEN RH-R	the right hand rear door is open	close the door
DOOR OPEN LH-R	the left hand rear door is open	close the door
DOOR OPEN LH-F	the left hand front door is open	close the door
DOOR OPEN RH-F	the right hand front door is open	close the door
BONNET OPEN	the bonnet is open	close the bonnet
IGNITION KEY IN	you have left the key in the starter switch	remove the key
LIGHTS ON	you have left your lights on	switch off the lights
HEADLIGHT DELAY	you have selected headlight delay - headlights will switch off automatically	
SLOW: 55 KMH MAX	air suspension fault	slow down to less than 55 kmh and seek qualified assistance
ENG OIL OVERHEAT	engine oil temperature is too high	stop and allow the engine to cool; if the problem persists, do not drive - seek qualified assistance

* These messages alternate with the message 'REFER HANDBOOK'. When this is displayed, refer to the appropriate section in this handbook for further information.

Message centre

Message	Meaning	What to do?
AIRBAG FAULT	there is a problem with the airbag SRS	seek qualified assistance
RH FRONT WINDOW LH FRONT WINDOW RH REAR WINDOW LH REAR WINDOW	alternates with one of the following: WINDOW NOT SET, WINDOW BLOCKED, ANTI-TRAP OFF, or WINDOW OPEN	refer to the description given for the alternating message
SPEED LIMIT ---	you have exceeded your preset speed limit	reduce your speed or cancel the function
SPEED LIMIT OFF	the preset speed limit has been cancelled	
FUEL GAUGE FAULT	as message suggests	seek qualified assistance
TEMP GAUGE FAULT	as message suggests	seek qualified assistance
LH SEAT HEATER	the fuse has blown	fit a new fuse - this message alternates with the fuse number message
RH SEAT HEATER	as above	as above
SUNROOF	the 'ANTI-TRAP' function is overridden (alternates with message ANTI-TRAP OFF)	refer to 'ANTI-TRAP OFF' message
TRANSFER NEUTRAL	the transfer box has moved to the neutral position	remove fuse 11 if transfer neutral is no longer required
BONNET	opening the bonnet was the cause of the alarm system triggering	check that the vehicle is secure - message alternates with the ALARM TRIGGERED message
LH FRONT DOOR RH FRONT DOOR LH REAR DOOR RH REAR DOOR	opening this door was the cause of the alarm system triggering	check that the vehicle is secure - message alternates with ALARM TRIGGERED message
IGNITION TAMPER	turning the starter switch on was the cause of the alarm system triggering	as above
TAILGATE	opening the tailgate was the cause of the alarm system triggering	as above

Message centre

The following are **WARNING** messages;

Message	Meaning	What to do?
TAILGATE OPEN	the tailgate is open	close the tailgate
WINDOW BLOCKED	the anti-trap function has detected an obstruction while the window is being closed	this message will alternate with another one to indicate which window is affected - remove the obstruction
SUNROOF BLOCKED	the anti-trap function has detected an obstruction while the sunroof is being closed	remove the obstruction before trying to reclose the sunroof
ALARM FAULT	the alarm system has a fault	seek qualified assistance
ANTI-TRAP OFF	the anti-trap function for one or more windows or the sunroof is disabled - message alternates with another to indicate which anti-trap function is disabled	ensure that there are no obstructions in the aperture
EAS FAULT	there is a fault with the air suspension system	seek qualified assistance
ABS FAULT	there is a fault with the anti-lock braking system	seek qualified assistance
SLOW: 30 KPH MAX	your road speed is too high for the current ride height	slow down to less than 30 kph
SLOW: 55 KPH MAX	your road speed is too high for the current ride height	slow down to less than 55 kph

Message centre

FUSE FAILURE MESSAGES

The following fuse failure messages are INFORMATION CATEGORY 1 messages. (see '*Fuses*' for fuse replacement information).

Message	Meaning	Action
FUSE 2 to 22 FAILED	Fuse blown	Fit a new fuse

Notes:

1. The fault messages for fuses 10 and 20 may also be displayed in conjunction with the messages 'RH SEAT HEATER' and 'LH SEAT HEATER'. This will occur if the seat heater affected by the relevant blown fuse is operated.
2. The fault message for fuse 12 may also be displayed in conjunction with the message 'HEATED REAR WINDOW'. This will occur if the heated rear screen is operated after fuse 12 has blown.
3. In all cases, the fuse failed message will alternate with the appropriate description message e.g. 'FUSE 10 FAILED', followed by 'RH SEAT HEATER'.
4. Fuse 1 covers the instrument pack. If this fuse fails, replace the fuse (no message can be given because the message centre is controlled by the instrument pack).
5. The message centre responds to multiple fuse failures by displaying separate messages, one after the other.

Message centre

BULB FAILURE MESSAGES

The following are INFORMATION CATEGORY 1 messages. (see '*Bulb replacement*').

Message	Meaning	What to do?
RH DIP BEAM	Bulb failed	Replace bulb
LH DIP BEAM	Bulb failed	Replace bulb
RH MAIN BEAM	One or both bulbs failed	Replace bulb
LH MAIN BEAM	One or both bulbs failed	Replace bulb
RH SIDE LIGHT	Bulb failed	Replace bulb
LH SIDE LIGHT	Bulb failed	Replace bulb
FRONT INDICATOR	One or both bulbs failed	Replace bulb
RH FRONT FOG	Bulb failed	Replace bulb
LH FRONT FOG	Bulb failed	Replace bulb
RH TAIL LIGHT	Bulb failed	Replace bulb
LH TAIL LIGHT	Bulb failed	Replace bulb
RH BRAKE LIGHT	Bulb failed	Replace bulb
LH BRAKE LIGHT	Bulb failed	Replace bulb
REAR INDICATOR	One or both bulbs failed	Replace bulb
RH REAR FOG	Bulb failed	Replace bulb
LH REAR FOG	Bulb failed	Replace bulb
RH REVERSE	Bulb failed	Replace bulb
LH REVERSE	Bulb failed	Replace bulb
NUMBER PLATE	Bulb failed	Replace bulb

The message centre will respond to multiple bulb failures by displaying separate messages, one after the other.

All bulb failure messages will be displayed when the starter switch is turned on or off and when the system affected by the relevant bulb failure is operated. The message 'BULB FAILURE' will alternate with the appropriate bulb description message, e.g. 'BULB FAILURE' followed by 'RH REAR FOG'.

Message centre

MISCELLANEOUS FAULT MESSAGES

The following are INFORMATION CATEGORY 1 messages.

Message	Meaning	What to do?
LOW SCREEN WASH	as message suggests	fill the screenwash reservoir
GEARBOX FAULT	as message suggests	seek qualified assistance
TRACTION FAILURE	as message suggests	seek qualified assistance
LOW BRAKE FLUID	as message suggests	top-up the fluid reservoir and/or seek qualified assistance
ODOMETER ERROR	as message suggests	seek qualified assistance
KEY BATTERY LOW	as message suggests	fit new batteries in the handset

The following are INFORMATION CATEGORY 2 messages.

Message	Meaning	What to do?
MEMORY 1 STORED	you have stored the seat and mirror positions into memory store 1	no action required
MEMORY 2 STORED	you have stored the seat and mirror positions into memory store 2	no action required
REAR WINDOWS ON	you have enabled the rear door window operating switches	no action required
ALARM TRIGGERED	the alarm has been triggered since the ignition was last turned off	no action required - was your vehicle secure when you returned to it?
MIRROR DIP STORE	you have stored the reverse dip positions of the door mirrors in memory	no action required

Message centre

Message	Meaning	What to do?
WINDOW NOT SET	the one-touch and anti-trap functions are not set	set the one-touch and anti-trap functions see <i>'Electric windows'</i>
SUNROOF NOT SET	the one-touch and anti-trap functions are not set	set the one-touch and anti-trap functions see <i>'Electric sunroof'</i>
WINDOW SET	you have successfully set the one-touch and anti-trap functions	no action required
SUNROOF SET	you have successfully set the one-touch and anti-trap functions	no action required
TRACTION OVRHEAT	the warning light will flash. Traction control has been disabled to prevent overheating of the system's braking components, and will be re-enabled when the braking components have cooled	prevent wheel spin condition by easing off the throttle
INT LIGHTS OFF	auto function has been turned off	see <i>'Interior equipment'</i>
INT LIGHTS ON	auto function has been turned on	see <i>'Interior equipment'</i>
EAS MANUAL	you have locked the air suspension in ACCESS ride height	CAUTION the vehicle is being driven on its bump stops
ALTERNATOR FAULT	as message suggests	seek qualified assistance
START ENGINE	you may now start the engine	see <i>'Locks & alarm'</i>

Message centre

Message	Meaning	What to do?
MIRROR DIP ON	the door mirror dip function for driving in reverse gear has been turned on	no action required
MIRROR DIP OFF	the door mirror dip function for driving in reverse gear has been turned off	no action required

* This message alternates with the message 'REFER HANDBOOK'. When this is displayed, refer to the appropriate section in this handbook for further information.

The following are INFORMATION CATEGORY 3 messages;

Message	Meaning	What to do?
SUNROOF OPEN	you have removed the starter key and opened the drivers door with the sunroof still open	if you are leaving the vehicle, close the sunroof
RIGHT PARK LIGHT	you have set the right hand front and rear side lights as parking lights	turn the lighting switch off if parking lights are not required
LEFT PARK LIGHT	you have set the left hand front and rear side lights as parking lights	turn the lighting switch off if parking lights are not required
PARK LIGHTS	you have set the right and left hand front and rear side lights as parking lights	turn the lighting switch off if parking lights are not required
MOVEMENT DETECT	the alarm system is sensing movement in the vehicle when you are trying to 'Superlock'	isolate the cause of the movement and try again - do not attempt to 'Superlock' with people or animals inside the vehicle

Message centre

Message	Meaning	What to do?
SELECT NEUTRAL	you have made an attempt to change gear ranges without the gearbox being in NEUTRAL	select neutral
SLOW DOWN	your current road speed is too high to perform a transfer box range change	stop the vehicle before changing range

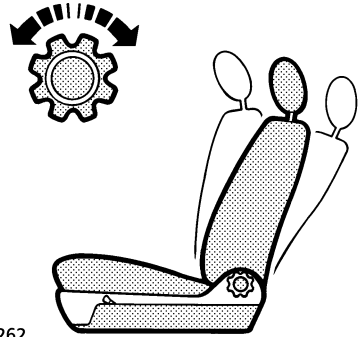
Seats

MANUALLY-OPERATED FRONT SEATS

WARNING

To avoid the risk of loss of control and personal injury, never adjust the driver's seat or seatback while the vehicle is in motion.

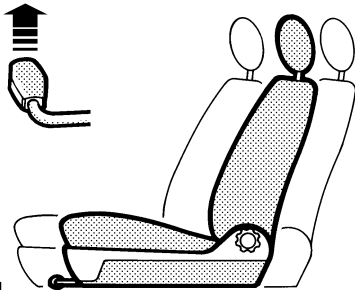
DO NOT allow occupants to travel with the seat backs reclined steeply rearwards. Optimum benefit is obtained from the seat belt with the seat back angle set to 15 degrees from the upright (vertical) position.



P0262

Backrest movement

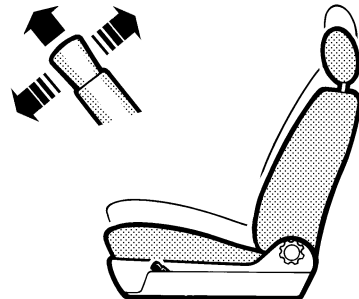
Rotate the handwheel to achieve the desired backrest angle.



P0261

Forward/backward movement

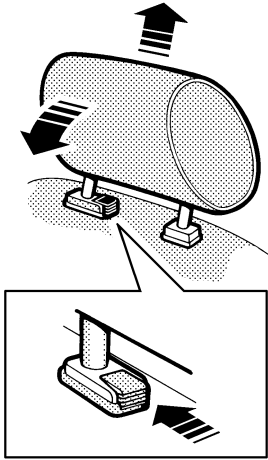
Raise the bar to move the seat forward or back. Ensure that the seat is locked in position before driving.



P0263

Height adjustment (driver only)

Move the front of the switch up or down to raise or lower the seat cushion.



P0029

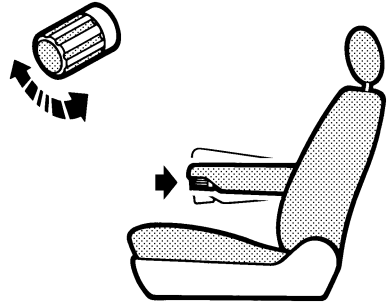
Head restraint adjustment

Head restraints are designed to restrain rearward movement of the head in the event of a collision.

Depress the button to raise or lower. Tilt the angle of the restraint to ensure it is as close to the back of the head as possible.

WARNING

- **DO NOT drive with the head restraints removed.**
- **ALWAYS adjust the height of the head restraint to support the back of the head, NOT the neck.**



P0264

Folding armrests

An adjustable folding armrest is fitted to the inboard side of the front seats.

Pull the armrest down into the horizontal position then turn the knob at the end of the armrest to set the desired angle.

IMPORTANT INFORMATION

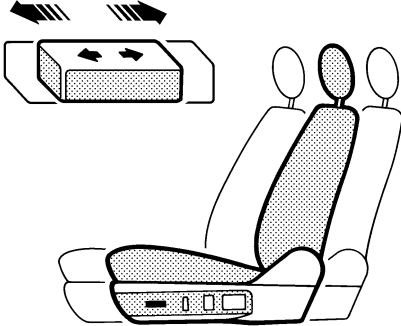
Your vehicle is fitted with side impact airbags. Refer to the Airbag SRS section of this handbook before fitting seat covers, or carrying out any repair or retrimming operations to the seat or seat covers

POWER OPERATED FRONT SEATS

(where fitted)

Seat adjustment is only possible when the starter switch is turned to positions 'I' or 'II' or with a front door open when the starter switch is at position '0'.

The following functions are available:



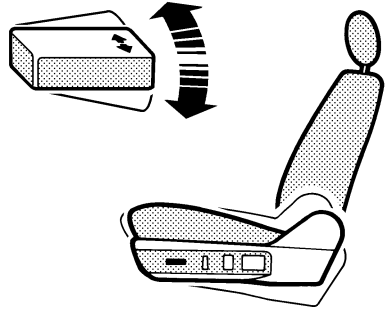
P0265

Seat forward & rearward

Push and hold the switch forwards or backwards to move the seat to the desired position.

WARNING

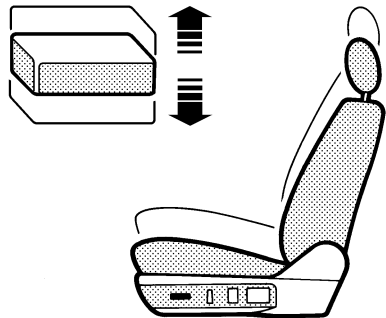
To avoid the risk of loss of control, DO NOT adjust the driver's seat while the vehicle is in motion.



P0266

Seat cushion angle

Twist the switch forward or back to tilt the front or rear of the seat cushion to the desired position.

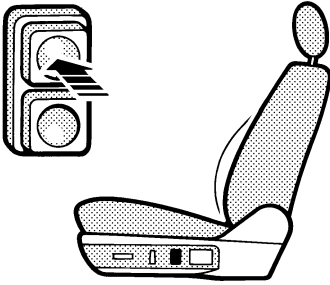


P0267

Seat cushion height

Push the switch up or down to raise or lower the cushion.

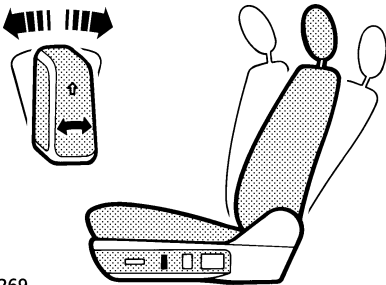
Seats



P0268

Lumbar support adjustment

Press the upper button to increase, and the lower button to reduce, lumbar support.



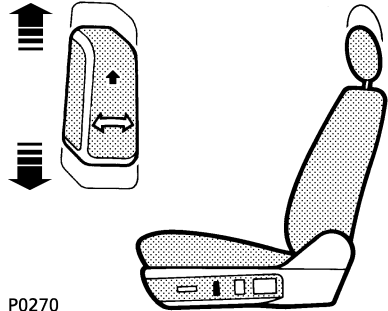
P0269

Seat back adjustment

Twist the switch forward or backward until the desired seat back angle is achieved.

WARNING

DO NOT allow occupants to travel with the seat backs reclined steeply rearwards. Optimum benefit is obtained from the seat belt with the seat back angle set to 15 degrees from the upright (vertical) position.



P0270

Head restraint adjustment

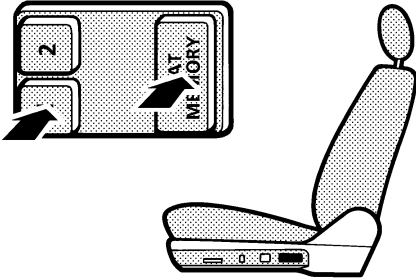
Raise or lower the switch until the head restraint is level with the back of the head.

WARNING

Head restraints are designed to support the back of the head (NOT THE NECK), and to restrain rearward movement of the head in the event of a collision. The restraint must be positioned behind the head to be effective.

IMPORTANT INFORMATION

Your vehicle is fitted with side impact airbags. Refer to the Airbag SRS section of this handbook before fitting seat covers, or carrying out any repair or retrimming operations to the seat or seat covers



P0271

DRIVER'S SEAT/MIRRORS MEMORY FACILITY (where fitted)

NOTE: Not all electric seat installations include the seat and mirror memory facilities.

WARNING

Before activating the seat/mirror memory, ensure that the area immediately surrounding the seats is clear of obstructions.

Your vehicle can memorise two different driver seating and mirror positions. To store the positions in the system memory, the starter switch must be turned to either position 'I' or 'II' and the transmission must NOT be in reverse gear.

Set the driver's seat and both door mirrors to the required positions and store the settings by pressing and holding the SEAT MEMORY switch together with either switch **1** or **2**, for 2 seconds. 'MEMORY 1 STORED' or 'MEMORY 2 STORED' will be displayed on the message centre to confirm the storing action.

To recall your stored position after the seat or mirrors have been moved by another driver, press and hold the appropriate switch (**1** or **2**); the seat and mirrors will return to the position stored by that memory switch. Once they have reached their memory positions a tone will sound to confirm that the operation is complete.

NOTE: If the memory positions are stored whilst the lights are on, the illumination level of the instrument panel will also be stored in the memory.

Driver's seat one-touch operation

The one-touch function is operated by briefly pressing the relevant memory switch (1 or 2). The seat will then automatically move to the memory position.

'One touch' operation can be cancelled at any time by pressing either of the memory switches or any of the seat axis switches. Pressing either of the seat memory switches stops all movement immediately: pressing one of the axis switches cancels the memory seat movement but starts the seat moving in the direction of the switch which is pressed. Release the switch to stop all movement.

- **Automatic transmission:** the one-touch function is NOT available when the engine is running and the gearshift lever is out of 'P' (park).
- **Manual transmission:** the one-touch function is NOT available when the engine is running.

Lazy seats

The lazy seat facility enables the handsets to be used to recall seat and mirror positions when you UNLOCK the doors.

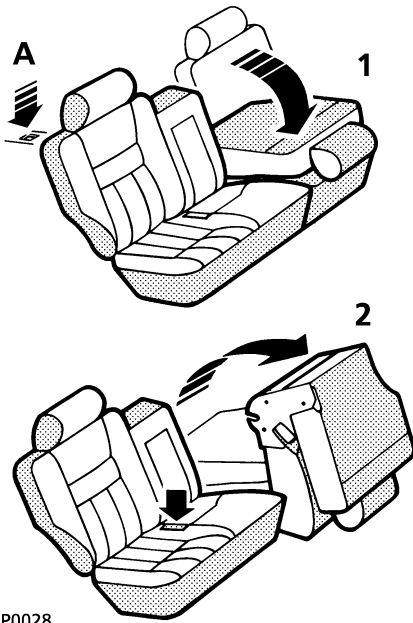
If the vehicle had been superlocked using a handset, then pressing the UNLOCK BUTTON on handset 1 for more than 1½ seconds causes the driver's seat and both mirrors to move to the position stored by memory switch 1. Pressing the UNLOCK BUTTON on handset 2 for more than 1½ seconds causes the driver's seat and both mirrors to move to the position stored by memory switch 2.

Passenger seat memories

(if fitted)

The operation of the passenger seat memories is the same as that for the driver's apart from the following:

- One-touch operation is available whenever normal memory operation is available.
- Passenger seat memories do not include the mirror positions or instrument panel illumination level.
- The message centre will not confirm the storing of a memory position.



REAR SEAT

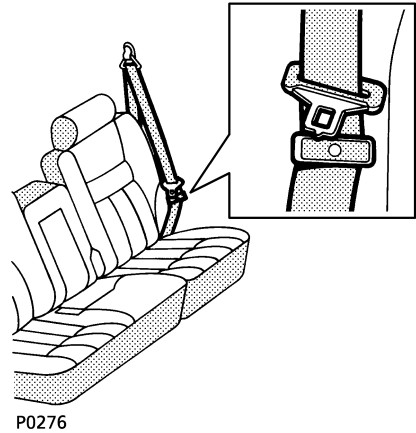
WARNING

DO NOT adjust any part of a seat while the vehicle is in motion.

Ensure your fingers are clear of the seat latches when folding the rear seats.

Folding the rear seats

One or both parts of the split rear seat can be either partially folded to provide a useful horizontal surface or fully folded to further increase the rear loadspace.



Before folding either part of the rear seat, ensure that the outer rear seat belts are correctly stowed in their belt clips (see illustration). To avoid damaging the centre seat belt, roll the buckle neatly and stow it in the space provided at its anchor point in the centre of the rear seat.

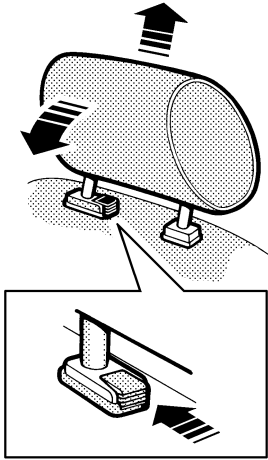
To fold either part of the rear seat, press the appropriate release button 'A', then fold the backrest down to position 1. To further increase the loadspace, fold the backrest and seat base together to position 2.

When returning the rear seat to its normal position, ensure that the backrest is securely latched in place before driving.

NOTE: If the seat base is not fully latched in position it will not be possible to raise the backrest.

WARNING

When the seat is erected, the latching mechanism should be visually checked and physically tested to ensure that the latch is secure before driving.



P0029

Rear head restraint adjustment

Head restraints are designed to restrain rearward movement of the head in the event of a collision.

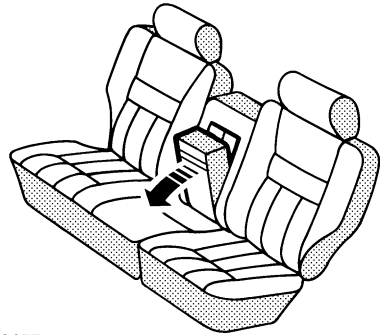
Lift to raise the head restraint. Depress the button to lower or remove the head restraint.

Tilt the angle of the restraint to ensure it is as close to the back of the head as possible.

WARNING

Always adjust the height of the head restraint to support the back of the head, not the neck.

DO NOT carry passengers with the head restraints removed.



P0157

Rear seat armrest

Pull on the tab at the top of the armrest and fold down to the horizontal position.

Seat belts

SEAT BELT SAFETY

Seat belts are life-saving equipment. In a collision, unrestrained passengers can be thrown around inside the vehicle, or possibly thrown out of the vehicle, resulting in injury to themselves and to other occupants. DO NOT take chances with safety!

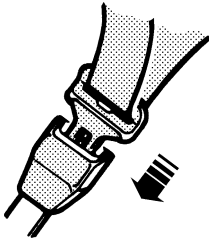
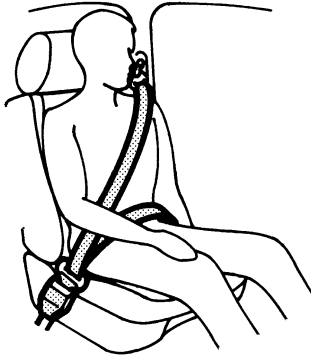
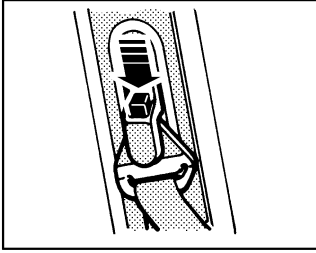
- DO make sure that ALL passengers are securely strapped in at all times; even for the shortest journeys.
 - ALWAYS adjust seat belts to eliminate any slack in the webbing and to ensure that the diagonal belt passes across the shoulder without slipping off or pressing on the neck.
 - ALWAYS fit the lap belt strap as low on the hips as possible (never across the abdomen).
 - DO NOT slacken the webbing by pulling the belt away from the body - to be fully effective, the seat belt must remain in full contact with the body at all times.
 - DO have seat belts checked if the vehicle is involved in an accident.
 - DO NOT allow occupants to travel with the seat backs reclined steeply rearwards. Optimum benefit is obtained from the seat belt with the seat back angle set to 15 degrees from the upright (vertical) position.
- DO use the seat belts to secure large items of luggage that are to be carried on the seats - in the event of an accident, insecure items become flying missiles capable of causing serious injury.
 - DO NOT fit more than one person into a seat belt, or fit a seat belt that is twisted or obstructed in any way that could impede its smooth operation.
 - DO NOT allow foreign matter (particularly sugary food or drink particles) to enter the seat belt locks; such substances can render the seat belt locks inoperative.
 - Pregnant women should ask a doctor for advice about the safest way to wear seat belts.

WARNING

Ensure that all seat belts are worn correctly - an improperly worn seat belt increases the risk of death or serious injury in the event of an accident.

The airbag supplementary restraint system (SRS) is designed to add to the overall effectiveness of the seat belts, it DOES NOT replace them. SEAT BELTS MUST ALWAYS BE WORN.

Seat belts



P0041

Upper anchorage adjustment

The height of the seat belt upper anchorage can be adjusted for comfort AND safety. Press and hold the button (arrowed in the upper illustration) to raise or lower.

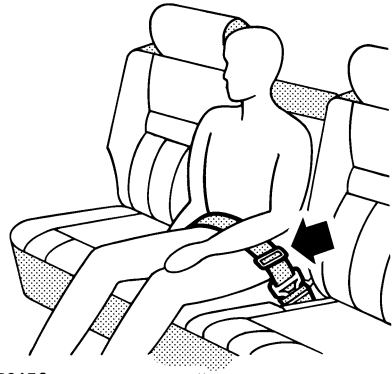
For maximum benefit, the seat belt should always be worn with the webbing crossing the shoulder **MIDWAY BETWEEN THE NECK AND THE EDGE OF THE SHOULDER**.

Ensure that the anchorage has 'clicked' into one of the locked positions before driving.

Fastening inertia reel seat belts

Draw the belt over the shoulder and across the chest, and insert the metal tongue plate into the lock nearest the wearer; a 'click' indicates that the belt is securely locked.

Seat belts are designed to bear upon the bony structure of the body (pelvis, chest and shoulders) and can only be worn safely with the seats in the normal UPRIGHT position; **DO NOT** allow the front passenger to travel with the seat steeply reclined. (See also '*Seating positions*' in the '*Airbag SRS*' section of this handbook).



P0156

Fastening lap belts

The rear central seating position is fitted with a lap belt. To adjust, pull the slider (arrowed in illustration) along the belt and feed the webbing through the buckle until the belt is comfortably tight. Insert the metal tongue plate into the lock nearest to the centre of the vehicle.

Seat belts

SEAT BELT PRE-TENSIONERS

The seat belt pre-tensioners activate in conjunction with the airbag SRS and provide additional protection in the event of a severe frontal impact on the vehicle (see 'Airbag SRS'). The pre-tensioners automatically retract the seat belts fitted to the front seats. This reduces any slack in both the lap and diagonal portions of the belts, thereby reducing forward movement of the belt wearer in the event of a severe frontal collision.

The airbag SRS warning light on the instrument panel will alert you to any malfunction of the seat belt pre-tensioners.

If the pre-tensioners have been activated, the seat belts will still function as restraints, and must be worn in the event that the vehicle remains in a driveable condition.

NOTE: *The seat belt pre-tensioners will NOT be activated by rear, side or minor frontal impacts.*

IMPORTANT INFORMATION

The seat belt pre-tensioners will only be activated once and then **MUST BE REPLACED**. Failure to replace the pre-tensioners will reduce the effectiveness of the vehicle's restraint systems.

After any frontal impact, the seat belts and pre-tensioners must be checked and, if necessary, replaced. Also, after a period of 15 years, the pre-tensioners must be examined and replaced.

In the interests of safety, it is recommended that removal or replacement of the front seats, seat belts and pre-tensioners should only be carried out by a Land Rover dealer.

Disposing of vehicles

If you sell your vehicle, be sure to inform the new owner that the vehicle is fitted with pre-tensioners, and make the new owner aware that the pre-tensioners must be examined and replaced by qualified personnel after a period of 15 years.

If your vehicle is to be scrapped, unactivated pre-tensioners are potentially very dangerous and must be safely deployed in a controlled environment by qualified personnel, before a vehicle is scrapped.

Seat belts

Infant and child restraints

Children are more likely to receive injuries from inflating airbags than taller occupants (see 'Airbag SRS'). For this reason, it is recommended that children should always be seated in the rear of the vehicle in a child safety seat or restraint system appropriate to their age and size. A range of safety seats approved for use in your vehicle is available from your Land Rover dealer.

All infant and child restraint systems are designed to be secured in vehicle seats by means of a lap belt or the lap portion of a lap/shoulder belt.

When installing and using any infant or child restraint system, always follow the manufacturer's instructions. Failure to properly secure the child restraint system can endanger the child in a collision or sudden stop and cause injury to other passengers.

The centre rear seating position is fitted with a lap belt which can be manually tightened to secure an infant or child restraint system. Older children should use the lap/shoulder belt fitted to the outer rear seating positions.



The above symbol affixed to the fascia panel of your vehicle, warns against the use of a REAR FACING child seat in the front passenger seat. This type of child seat could cause serious injury to your child in the event of an airbag deployment.

WARNING

Infants and children should be restrained in the rear of the vehicle in a child safety seat or restraint system appropriate to their age and/or size, and which is approved for use in your vehicle. Always ensure that the manufacturer's fitting instructions are followed exactly.

Accident statistics show that children are safer when properly restrained in the rear seating positions than in the front. However, if it is essential that a child travel in the front, set the seat fully rearward and seat the child in an approved, FORWARD FACING child seat. DO NOT use a rear facing child seat - an inflating airbag could impact with the child seat and cause serious injury to the child.

Seat belts

Caring for seat belts

Regularly inspect the belt webbing for signs of fraying, cuts and wear, also paying particular attention to the condition of the fixing points and adjusters.

DO NOT bleach or dye the webbing. Clean the webbing using warm water and non-detergent soap only; allow to dry naturally and DO NOT retract the belts or use the vehicle until they are completely dry.

Testing inertia reel seat belts

From time to time carry out the following tests:

1. With the seat belt fastened, give the webbing near the buckle a quick upward pull. The buckle must remain securely locked.
2. With the seat belt fastened, sit back in the seat and ensure any slack has been rewound. Then move the upper body sharply forward from the hips - the mechanism must lock automatically and prevent any further unreeling of the belt.
3. With the seat belt unfastened, unreel the webbing to the limit of its travel. Check that unreeling is free from snatches and snags.

If a seat belt should fail any of these tests, contact your dealer immediately.

WARNING

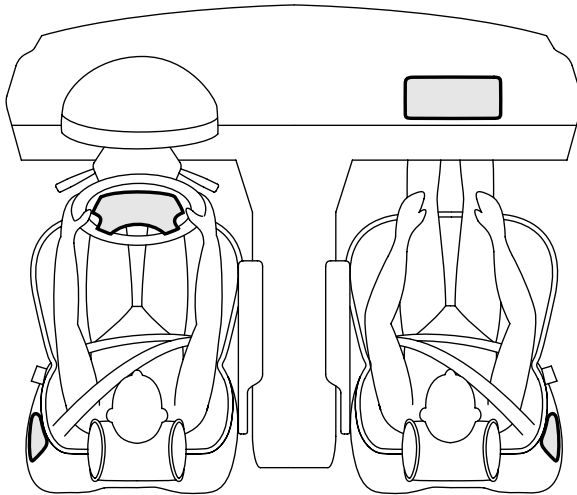
Always replace a seat belt that has withstood the strain of an impact or shows signs of fraying.

Airbag SRS

The airbag SRS (supplementary restraint system) incorporates front and side airbags for both the driver and front seat passenger.

Provided the front seat occupants are correctly seated with seat belts properly worn, the airbags provide additional protection to the chest and facial areas in the event of the vehicle receiving a severe frontal impact, and to the side of the body facing the impact, if a severe side collision occurs.

The front airbags are located in the centre pad of the steering wheel and in the fascia panel above the glovebox. Side airbags are positioned in the backrest padding on the outward side of both front seats (see illustration).



PO407

Airbag SRS

To ensure correct deployment of the airbags, it is essential that obstructions are not allowed to intervene between an airbag and the occupant. The following are examples of the type of obstructions that could either, impede correct operation of the airbags, or jeopardise personal safety in the event of an airbag deployment:

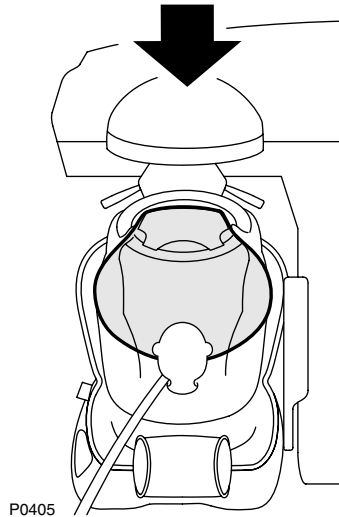
- Accessories attached to an airbag cover.
- Items of hand luggage or other objects placed on an airbag cover.
- Feet, knees or any other part of the anatomy in contact with, or in close proximity to, a front airbag cover.
- Head, arms or any part of the anatomy in contact with, or in close proximity to, a side airbag.
- Items of clothing or cushions draped over the part of a front seat containing the airbag.
- Non-approved, seat covers fitted over a front seat (in particular, be aware that seat covers approved for use with Range Rover vehicles prior to the introduction of side airbags will NOT be suitable for vehicles equipped with side airbags! If in doubt, seek advice from a Land Rover dealer).

How the airbag SRS works

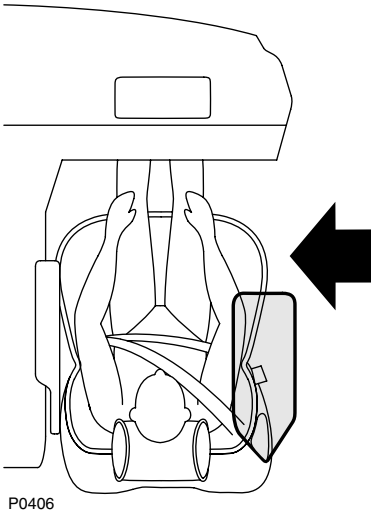
In the event of a collision, the airbag control unit monitors the rate of deceleration induced by the collision to determine whether the airbags should be deployed.

In the case of a severe frontal collision, both front airbags will be deployed. In the case of a severe side collision, only the airbag on the impact side of the vehicle will inflate.

However, there may also be impact conditions whereby one side and both front airbags deploy at the same time, or where front and side airbags respond separately as a result of a secondary impact occurring after the initial collision has taken place.



Airbag SRS



Airbag inflation is virtually instantaneous and occurs with considerable force accompanied by a loud noise. The inflated airbag, together with the seat belt restraint system, limit the occupant's movement, thereby reducing the risk of injury to the head and upper torso.

When an airbag inflates, a fine powder is released. This is not an indication of a malfunction, however the powder may cause irritation to the skin and should be thoroughly flushed from the eyes and any cuts or abrasions of the skin. After inflation, an airbag deflates immediately. This provides a gradual cushioning effect for the occupant and also ensures that the driver's forward vision is not impaired.

IMPORTANT INFORMATION

The airbag SRS is not designed to operate as a result of rear collisions, minor frontal or minor side impacts, or if the vehicle overturns; nor will it operate as a result of heavy braking or driving over bumps and potholes.

Operation of the airbag SRS is dependent entirely on the acceleration or deceleration forces that are applied to the vehicle's passenger compartment as a result of a collision. The circumstances affecting different collisions (vehicle speed, angle of impact, type and size of object hit for example), vary considerably and will affect the rate of acceleration or deceleration accordingly.

It follows, therefore, that in some instances, significant superficial damage can occur to the vehicle without the airbags deploying and, conversely, that in other circumstances, the airbags will deploy even though the vehicle has experienced relatively small amounts of damage.

Airbags will only deploy when they are required to supplement the restraining force of the seat belts.

WARNING

Following inflation, some airbag SRS components are hot - DO NOT touch until they have cooled.

Airbag SRS

Side airbags

Side airbags are designed to protect the thorax region of the torso and will only deploy in the event of a severe side impact. They will NOT inflate as a result of frontal or rear impacts.

In the event of a severe side collision, the airbag on the impact side of the vehicle breaks through the seat covering, rapidly inflating to form a cushion between the occupant and the side of the vehicle.

Note that a part of the outer side of the seat trim (identified by the woven 'airbag' label) is manufactured with a specially constructed seam which enables the airbag to break through. The manufacture and materials of the seat are critical to the performance of the airbag. For this reason, non-approved seat covers must NEVER be fitted, and it is recommended that any repair or replacement to the front seats be carried out by a Land Rover dealer (see 'Service information').

Airbag SRS warning light

A warning light, mounted on the instrument pack, will alert you to any malfunction which might prevent the airbag SRS from operating correctly in the event of an impact. The system should always be checked by a dealer if any of the following symptoms occur:

- The warning light fails to illuminate when the starter switch is turned to position 'II'.
- The warning light fails to extinguish within approximately five seconds after the starter switch is turned to position 'II'.
- The warning light illuminates while the vehicle is being driven.

NOTE: After the starter switch is turned to position 'II', the system's diagnostic control unit checks its own memory and the warning light bulb for faults. If a fault is found, the warning light will illuminate.

Seating positions

In order to provide optimum protection in the event of a severe vehicle impact, it is necessary for the airbags to deploy with considerable speed.

An inflating airbag can cause facial abrasions and other injuries if the occupant is too close to the airbag at the time of its deployment.

WARNING

To minimise the risk of accidental injury from inflating airbags, seat belts should be correctly worn at all times. In addition, both driver and front seat passenger should adjust the seat to provide the maximum practical distance from the front airbags, and also ensure that a gap is maintained between the upper torso and the side of the vehicle to enable unobstructed inflation of the side airbags.

Seating children

It is recommended that children should always be seated in the rear of the vehicle in a child safety seat or restraint system appropriate to their age and size (see 'Seat belts').

If it is necessary for a child to travel in the front, it is essential that the vehicle seat is set fully rearwards and that the child is correctly seated in a FRONT FACING child safety seat, which prevents any part of the child's head or anatomy from coming into close proximity with the side airbag (note the warning label shown below).



H2735

WARNING

Under no circumstances should a rear facing child seat be used in the front - an inflating airbag could impact with the seat causing serious injury to the child!

Service information

After a period of time (10 years for front airbags, and 15 years for side airbags) from the original date of registration (or the installation date of a replacement airbag module), some components will need to be replaced. Note the 'airbag module replacement date' shown on page 2 of the Service Portfolio book. To ensure absolute safety, it is recommended that this work is carried out by a Land Rover dealer who should stamp and sign the appropriate page of the Service Portfolio book once the work is complete.

In addition, ALWAYS contact your dealer if:

- an airbag inflates
- the front or side of the vehicle is damaged, even if the corresponding airbag has not inflated.
- any part of an airbag module cover shows signs of deterioration or damage.

WARNING

DO NOT attempt to service repair, replace, modify or tamper with any part of the airbag SRS, or wiring in the vicinity of an airbag SRS component; this could cause the system to activate, resulting in personal injury.

IMPORTANT INFORMATION

The components that make up the airbag SRS are sensitive to electrical or physical interference, either of which could easily damage the system and cause inadvertent operation or a malfunction of any airbag module.

For your safety it is recommended that you seek the assistance of a Land Rover dealer to carry out any of the following:

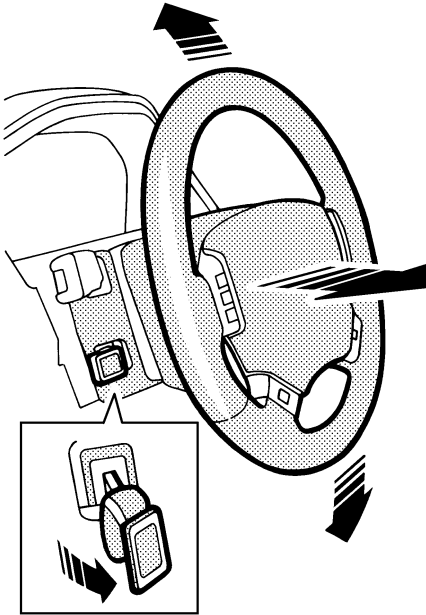
- Removal or repair of any wiring or component in the vicinity of any of the SRS components (yellow wiring harness), including: the steering wheel, steering column, front seats, instrument and fascia panels.
- Installation of electronic equipment such as a mobile telephone, two-way radio or in-car entertainment system.
- Attachment of accessories to the front or side of the vehicle.
- Modification to the front or side of the vehicle.
- Removal or replacement or retrimming of a front seat or seat cover.

Disposing of vehicles

If you sell your vehicle, be sure to inform the new owner that the vehicle has an airbag SRS, and make the new owner aware of the airbag module replacement date shown on page 2 of the Service Portfolio book.

If the vehicle is to be scrapped: uninflated airbags are potentially very dangerous and must be safely deployed in a controlled environment by qualified personnel BEFORE a vehicle is scrapped.

Steering column



P0096

STEERING COLUMN ADJUSTMENT

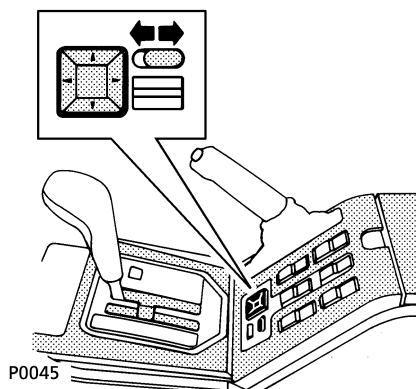
Adjust the angle and height of the steering column to suit your driving position:

1. Fully withdraw the lever and then pull it towards the steering wheel rim.
2. Keeping the lever in this position, tilt the steering column up or down to the required angle and pull or push to extend or retract the steering wheel.
3. Release the lever to lock the column in position when a comfortable driving position has been achieved

WARNING

DO NOT attempt to carry out the following adjustments while the vehicle is in motion. This is extremely dangerous.

Door mirrors



ELECTRICALLY-OPERATED DOOR MIRRORS

1. Slide the switch left or right to select the appropriate mirror.
2. With the starter switch turned to position 'I' or 'II', press the appropriate side of the rocker switch to tilt the mirror glass up/down or left/right.

NOTE: If your vehicle has an electrically-operated driver's seat, then the positions of the mirrors can be set in conjunction with the driver's seat positions (see 'Seats').

NOTE: Door mirrors have integral heating elements which disperse ice or mist from the glass. This function operates continuously while the engine is running.

Automatic dimming (if fitted)

The door mirrors are equipped with an automatic dimming function that reduces glare from the headlights of following vehicles at night. The dimming function is activated by a light sensor fitted to the interior rear-view mirror.

Automatic dipping for reverse gear selection (if fitted)

Vehicles with a driver's seat memory have a pre-stored function which causes the mirrors to dip automatically whenever reverse gear is selected. If necessary the mirror positions can be altered as follows:

1. Turn the starter switch to position 'I' or 'II' (do not start the engine).
2. Select reverse gear.
3. Adjust either or both mirrors to the desired positions.
4. Press the seat MEMORY STORE switch together with either switch 1 or 2 (whichever corresponds with the driver's seat memory) for 2 seconds (the message centre displays 'MIRROR DIP STORE').

Door mirrors

To disable the dip function:

Turn the starter switch to position 'I' or 'II' (do not start the engine) and select reverse gear.

Press and hold the seat MEMORY STORE switch for 2 seconds and the message centre displays 'MIRROR DIP OFF' and a tone sounds.

To restore the dip function:

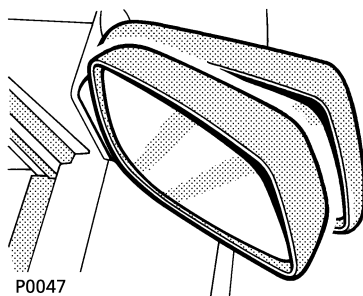
Turn the starter switch to position 'I' or 'II' (do not start the engine), and select reverse gear.

Press and hold the MEMORY STORE switch for 2 seconds and the message centre briefly displays the message 'MIRROR DIP ON' (returning mirrors to, either the factory or your own pre-set positions).

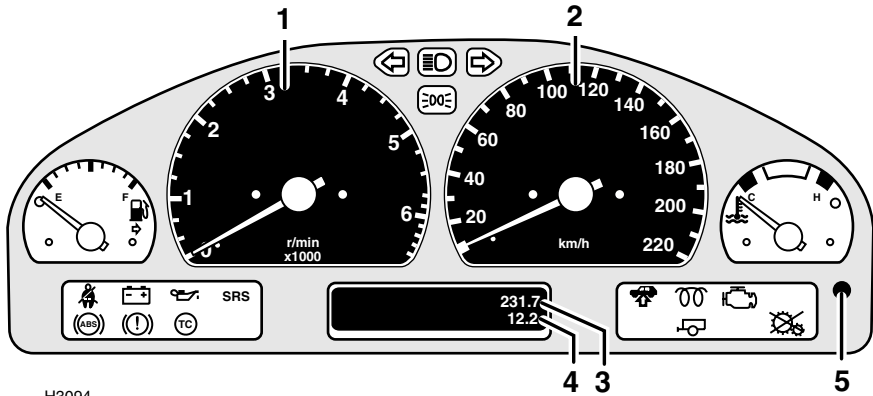
Manual adjustment

Each door mirror assembly can be moved through four positions.

The fully forward and rearward positions enable the mirror body to fold almost flat against the side of the vehicle and are useful for negotiating narrow openings. The two intermediate positions enable the mirror body to be adjusted to suit the differing requirements of either the passenger or driver's side of the vehicle - the forward intermediate position should be used for the driver's side, and the rear intermediate position used for the passenger side.



Instruments



1. Tachometer

Indicates engine speed in revolutions per minute.

Your vehicle is fitted with a system which automatically restricts the number of revolutions per minute once the engine's maximum 'governed' speed has been reached.

Engine speed restriction limits

Petrol: 5,500 rpm

Diesel: 4,950 ± 150 rpm

2. Speedometer

Indicates road speed in kilometres per hour.

3. Total distance recorder

Indicates the total distance travelled by the vehicle. (Turn the starter switch to position II to illuminate display).

4. Trip recorder (trip 1)

Records individual journey distances (see also 'Trip computer'). (Turn the starter switch to position II to illuminate display).

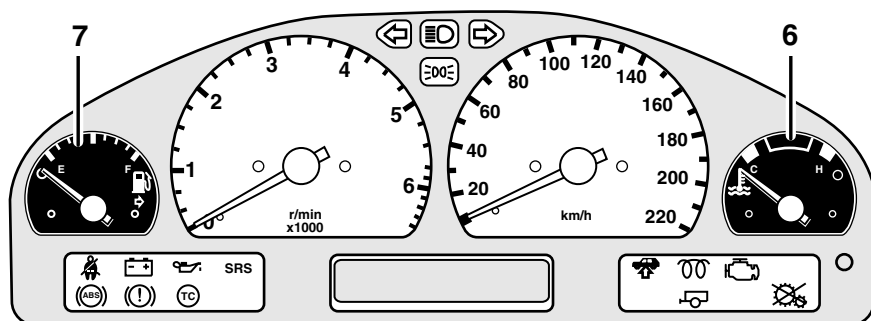
5. Trip recorder reset button (trip 1)

Press to return the trip recorder to zero.

WARNING

DO NOT attempt to open the instrument pack or change the instrument bulbs - warranty cover may be invalid if the pack has been tampered with.

Instruments



H3095

6. Temperature gauge

Once the engine coolant has reached its normal operating temperature the pointer should be almost vertical (the precise position will vary depending on the ambient temperature). If the pointer moves close to the RED segment a RED warning light in the temperature gauge illuminates. Should the pointer move INTO the red segment, stop the vehicle as soon as safety permits and seek qualified assistance before continuing.

7. Fuel gauge

The pointer drops to zero when the starter switch is turned off, but quickly rises to show the level of fuel in the tank when the switch is turned to position 'II'. After refuelling, the gauge rapidly changes to reflect the increase of fuel in the tank.

An arrow on the fuel gauge indicates on which side of the vehicle the fuel filler flap is located.

NOTE: The gauge may not indicate fuel level increases of 15 litres or less.

When the fuel remaining in the tank is a minimum of 9 litres, the AMBER warning light will illuminate. If the light illuminates, refuel at the first opportunity.

Fuel tank capacity is approximately:

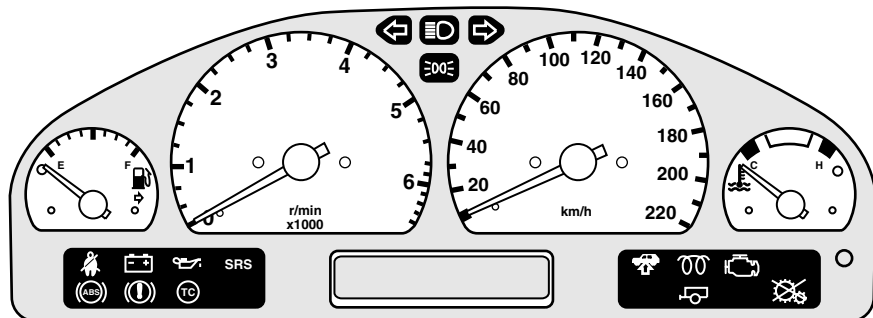
Petrol engines: 22 usable 100 litres

Diesel engines: 20 usable 90 litres

WARNING

NEVER allow your vehicle to run out of fuel (the resultant misfire may destroy the catalytic converter).

Warning lights



H3096

The specification of the warning lights will vary according to model and market requirements.

Some warning lights may also be accompanied by a message which will appear in the message centre display on the instrument pack. (see '*Message centre*' for details).

The warning lights are colour coded as follows:

GREEN & BLUE lights indicate that a unit is operating.

AMBER & YELLOW lights are cautions.

RED lights are warnings.



Check engine - AMBER

The light illuminates when the starter is turned to position 'II' as a bulb check and extinguishes when the engine is running. Illumination at any other time indicates an engine fault; if the light illuminates while driving, avoid high speeds and seek qualified assistance urgently.



Glow plug - AMBER. (Diesel only).

Illuminates when the starter switch is turned to position 'II'. WAIT for the light to extinguish before starting the engine.



Seatbelt - RED.

The light illuminates for 6 seconds when the starter switch is turned to position 'II'. ALWAYS fasten your seat belt BEFORE driving.

Warning lights



Handbrake/brake system - RED.

Illuminates for 3 seconds as a bulb check when the starter

switch is turned to position 'II' and also illuminates when the handbrake is applied and the starter switch is in position 'II'.

The light should extinguish when the handbrake is fully released or after the bulb check if the handbrake is off. If the light illuminates whilst driving, a fault is indicated. Stop the vehicle as soon as safety permits and seek qualified assistance before continuing.

NOTE: *If the vehicle has been standing for some time, it may take up to 40 seconds before the light extinguishes (in this case, ABS and TC warning lights will also be illuminated).*



Battery charging - RED.

Illuminates as a bulb check when the starter switch is turned to

position 'II' and extinguishes when the engine is running. If it remains on or illuminates when driving, a fault is indicated. Seek qualified assistance urgently.



Trailer direction indicators - GREEN.

This light is only operative when a trailer is connected to the vehicle via a multi-pin socket. The light flashes in conjunction with the vehicle direction indicators, thus confirming that the trailer indicator lights are operating correctly. In the event of the failure of a trailer direction indicator light, the warning light will not illuminate.



Low engine oil pressure - RED.

Illuminates as a bulb check when the starter switch is turned to

position 'II', and extinguishes when the engine is running. If it remains on when the engine is started, or comes on during a journey, stop the vehicle as soon as safety permits and seek qualified assistance before continuing. Always check oil levels when this light illuminates.

NOTE: *At very low ambient temperatures the light may take several seconds to extinguish.*



ABS - YELLOW.

This light illuminates for

approximately 1 second when the starter switch is turned to position 'II', and then briefly extinguishes before coming on again. If the light does not extinguish and then illuminate again then a fault has occurred with the ABS system and you should consult your Land Rover dealer at the earliest opportunity. The warning light will remain illuminated until the vehicle is driven above approximately 7 km/h.

If the light remains illuminated or subsequently illuminates whilst driving, a fault has been detected by the self-monitoring system. The message centre will display 'ABS FAULT'; this means that full ABS control may not be available, and you should consult your dealer at the earliest opportunity.

Warning lights

SRS

Airbag SRS - RED.

The light illuminates when the starter switch is turned to

position 'II', and extinguishes after approximately 5 seconds. If the light illuminates at any other time, a fault is indicated. Seek qualified assistance urgently.



Transfer gearbox - AMBER.

The light starts flashing when the 'Hi/Lo' switch is pressed (manual gearbox vehicles), or when the selector lever is moved across the 'H-gate' (automatic gearbox vehicles), and continues flashing until the transfer gearbox has completed a change from one range of gears to another.

On manual gearbox vehicles, DO NOT release the clutch or select a gear until the light stops flashing. On automatic gearbox vehicles, DO NOT release the brakes or drive until the light stops flashing.



Traction control (TC) - AMBER.

Illuminates for three seconds after the starter switch is turned on and the ABS and traction control systems have completed their self-checks.

Whilst driving, the TC light will illuminate (for a minimum of two seconds) whenever traction control is active; the light extinguishing as soon as traction control ceases. The light flashing (for at least ten seconds) indicates that the system has been over-used; it will be available again once the system components have cooled.

If the light illuminates continuously, a fault with the system is indicated; seek qualified assistance.



Direction indicators - GREEN.

The left or right warning light flashes in time with the

corresponding left or right direction indicators whenever they are operated. A warning light flashing at twice the normal speed indicates that a direction indicator bulb has failed (the message centre will indicate which bulb is faulty). If a trailer is connected and a rear indicator bulb fails then the message will not be displayed. When the hazard switch is pressed, both warning lights will illuminate in conjunction with the indicator lights.



Headlight main beam - BLUE.

This light illuminates whenever the main beam headlights are on.



Lights on - GREEN.

This light illuminates when the sidelights and/or headlights are switched on. It will not illuminate when parking lights or headlight delay are in operation.



Air suspension - AMBER

Illuminates as a bulb check when the starter switch is turned on and remains illuminated until two seconds after the engine has started.

In addition, the light will illuminate whilst driving whenever 'High' or 'Extended' ride heights are selected, and also if a fault with the air suspension system is detected.

Warning lights

AUDIBLE WARNINGS

In some markets one or more of the following audible warnings may be included in the vehicle specification.

Starter key warning

An audible warning sounds if the key is left in the starter switch when the driver's door is opened if the engine is not running. It will cease as soon as the key is removed or the driver's door is closed.

This is accompanied by the message centre displaying 'IGNITION KEY IN'.

Lights on warning

An audible warning sounds if the driver's door is opened whilst the headlights are turned on and after the key is removed from the starter switch. It will cease as soon as the lights are switched off or when the driver's door is closed. The warning is accompanied by the message centre displaying 'LIGHTS ON'.

Driver's seat belt reminder

A continuous audible warning sounds and the message centre displays 'SEAT BELT PLEASE' for a 6 second period or until the seat belt is latched.

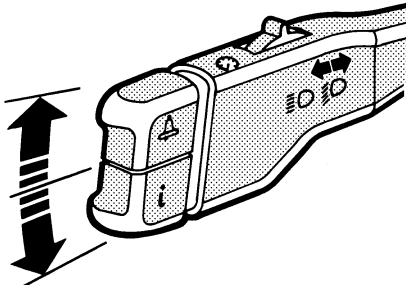
Excess speed warning

A continuous audible warning sounds whenever the vehicle speed exceeds approximately 120 km/h and ceases as soon as the vehicle speed falls below 120 km/h. This is accompanied by the message centre displaying 'SPEED LIMIT 120'. This function is independent of the trip computer overspeed function - (see '*Trip computer*' for further information).

High/Low range change warning

An audible warning will sound whilst a change from one gear range to another is attempted. The warning will cease once the change is complete or is cancelled.

Lights & indicators

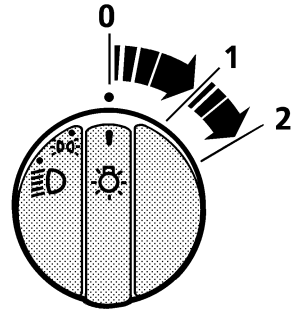


P0067

Direction indicators

Move the lever DOWN to indicate a LEFT turn, and UP to indicate a RIGHT turn (the appropriate GREEN warning light on the instrument panel will flash in time with the direction indicators).

Hold the lever part-way up or down against spring pressure to indicate a lane change.



P0149



Side, tail and instrument panel lights

Insert the starter key and turn the lighting switch to position '1'.



Headlights

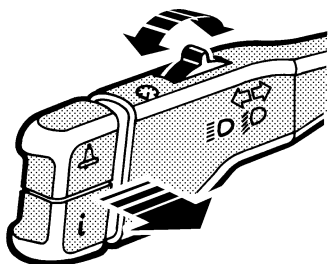
Turn the lighting switch to position '2'.

To illuminate the driveway after leaving the vehicle, the headlight courtesy delay can be operated, as follows:

Headlight courtesy delay

1. Turn the lighting selector switch to position '2' and the starter switch to position 'II'.
2. Turn the starter switch back to position '0', remove the key, and turn the lighting switch from position '2' to '0'.
3. The headlights will remain on for approximately 25 seconds and the message centre will display 'HEADLIGHT DELAY'.

Lights & indicators



P0071

Headlight main and dipped beams

Pull the lever fully towards the steering wheel to change from dipped beam to main beam (BLUE warning light on the instrument panel glows when the headlights are on main beam).

To flash the headlights, pull the lever part-way toward the steering wheel (to the first position) and release.

Parking lights

With the lighting switch in position '1' and the starter key removed, move the direction indicator lever fully DOWN to illuminate the left hand side and tail lights or UP to illuminate the right hand side and tail lights (lights on both sides will remain on if the lever is in its CENTRAL position). To switch off, turn the lighting switch to position '0'.

Instrument dimmer control

Rotate the rocker switch to the left or right to reduce or increase the intensity of instrument panel illumination. The dimmer also controls the illumination level of switches and (where fitted) the intensity of the air conditioning LCD display.

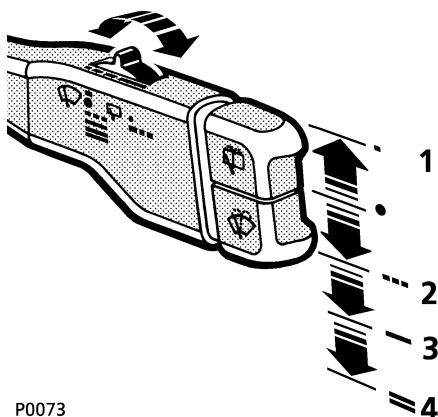
The instrument dimmer also controls the intensity of the message centre display. However, note that if the illumination level is set to its maximum (rotate rocker switch to the right and hold), then a momentary press of the rocker switch to the left will dim the message centre display, but leave the instrument illumination at maximum.

NOTE: *On vehicles fitted with power operated memory seats, if the side lights are switched on when a driver's seat position is stored in the seat memory, then the illumination level of the instrument panel will be stored at the same time.*

Wipers & washers

WINDSCREEN WIPERS

The windscreen wipers will only operate when the starter switch is turned to position 'I' or 'II'.



P0073

WARNING

To prevent possible overload damage to the linkage or the wiper motors in either freezing or extremely hot conditions, care must be taken to ensure that the wiper blades are not adhering to the glass before operating the wipers.

FRONT SCREEN

To operate the front screen wipers only, the lever must be pushed away from the steering wheel.

Single wipe

Raise the lever to position '1' and release.

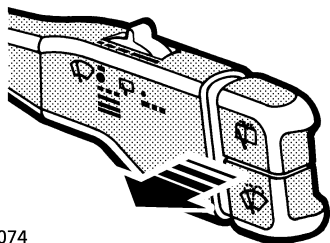
Intermittent wipe

Lower the lever to position '2' to engage intermittent wipe. Rotate the thumb wheel left or right to reduce or increase the delay between wipes.

Normal/fast speed wipe

Lower the lever to position '3' for normal; and to position '4' for fast continuous wipe speed.

Wipers & washers



P0074

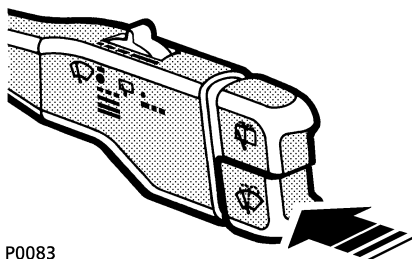
REAR SCREEN

Pull the lever towards the steering wheel for rear screen intermittent wipe.

All front wiper functions are also available in this position, using the four positions described on the previous page.

If the front wipers are operating in intermittent mode then the rear wiper will wipe on every second operation of the front wipers. If the front wipers are operating in continuous mode, then the thumbwheel controls the delay of the rear wiper.

WINDSCREEN WASHER



P0083

Front screen wash/wipe

Press and hold the lower button to operate the front screen wash/wipe. The washers will continue operating for as long as the button is pressed. After releasing the button, the wipers will complete 3 full wipes before either parking or continuing with any other selected wiper function.

A momentary press on the lower button will initiate a programmed wash/wipe. The washers will operate briefly and then stop automatically, the wipers then completing 3 full wipes before either parking or continuing with another function. Moving the lever to any other front wipe position during the programmed wash/wipe will cancel the remainder of the programme.

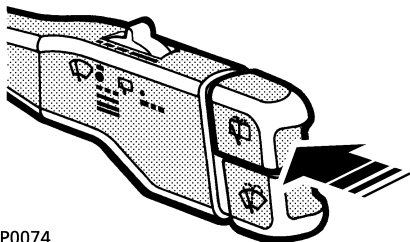
NOTE: *If the wiper system senses a low fluid level in the washer reservoir, then the programmed wash/wipe will only operate for as long as the button is pressed, i.e. there will be no timed wash and no additional 3 wipes.*

Wipers & washers

Washer jets

To adjust the front screen washer jets, insert a needle into the jet orifice and use it to position the jet so that the spray is directed towards the horizontal centre line of the windscreen.

If the jets become obstructed, a needle or strand of wire can be used to clear the blockage.



P0074

Rear screen wash/wipe

Press and hold the upper button to operate the rear screen wash/wipe. The washer will continue operating for as long as the button is pressed. After releasing the button, the wiper will complete 3 full wipes before either parking or continuing with any other selected function.

A momentary press on the upper button will initiate a programmed wash/wipe. The washer will operate briefly and then stop automatically, the wiper then completing 3 full wipes before either parking or continuing with another function. Moving the lever to any other rear wiper position during the programmed wash/wipe will cancel the remainder of the programme.

The rear wiper will operate automatically whenever reverse gear is selected, provided the front screen wipers are operating in either intermittent, or continuous mode.

Headlight wash/wipe (if fitted)

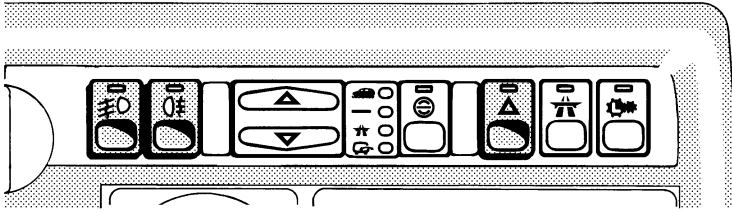
Headlight wash/wipe is controlled by a timer unit, and operates automatically on every second wash of the front screenwash system when the headlights are switched on.

NOTE: *If the wiper system registers a low screen wash fluid level the headlight wash/wipe will not operate at all.*

Low screen wash fluid

When the screen wash level is low, the message centre displays 'LOW SCREEN WASH'. The message appears whenever the front or rear wash/wipe systems are used and is also activated whenever the starter switch is turned to, or from, position 'II'. To reset the system the reservoir must be filled when the starter switch is turned off (see '*Windscreen washer top-up*').

Switches



P0076

DASHBOARD CENTRE CONSOLE SWITCHES

The following switches are located on the centre console between the driver and front seat passenger:



Front fog lights (if fitted)

Press to switch on and off; the switch illuminates while the lights are switched on.

The lights operate only with the starter switch in position 'II' and the headlights or side lights on. Note that the fog lights will have to be re-selected if the head/sidelights or the starter switch have been turned off.

DO remember to switch off as soon as visibility is clear.



Rear fog guard lights

Press to switch on and off; the switch illuminates while the lights are switched on. The rear fog guard lights will operate only when the starter switch is in position 'II', and when either:

- the headlights are switched on, or
- the sidelights and front fog lights are switched on.

Note that the fog guard lights will have to be reselected if the headlights or side lights and front fog lights have been turned off.

REMEMBER: In clear conditions rear fog guard lights can dazzle other road users. Use only when visibility is severely restricted.



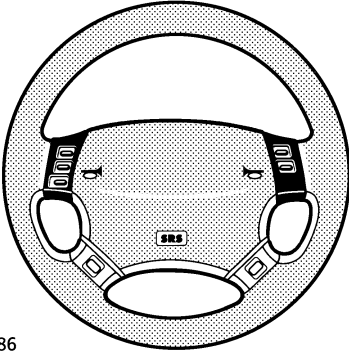
Hazard warning lights

Press to operate; all the direction indicators, including those fitted to a trailer, will flash in conjunction with each other.

Use **ONLY** in an emergency to warn other road users when your stationary vehicle is causing an obstruction, or is in a hazardous situation. Remember to switch off before moving away.

NOTE: The functions of the electronic air suspension system switches are described under 'Air suspension'. The cruise control master switch (if fitted) is described under 'Cruise control' and the manual transmission gear range switch (if fitted) is shown under 'Manual transmission'.

Switches



P0086

STEERING WHEEL SWITCHES

If fitted, the following switches are located on the steering wheel:

Cruise control

The functions of the cruise control switches 'SET+' and 'RES' are described under '*Cruise control*'.

Mode switch

Mode Press the MODE switch to select either: radio, tape, or CD player (see '*In-car entertainment*').



Seek/search forward

Press to search forward for the NEXT receivable radio station on the selected waveband. When tape or CD player are being used, seek/search is used to select the next track.



Seek/search backward

Press to search backwards for the NEXT receivable radio station on the selected waveband. When tape or CD player are being used, seek/search is used to select the previous track.



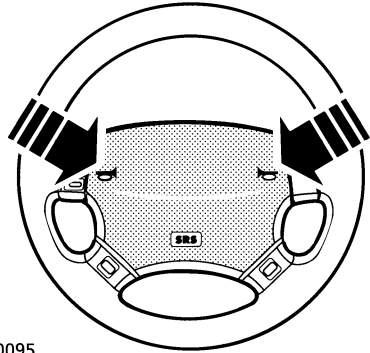
Volume up

Press the positive switch to increase the volume.



Volume down

Press the negative switch to decrease the volume.

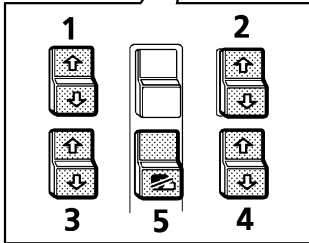
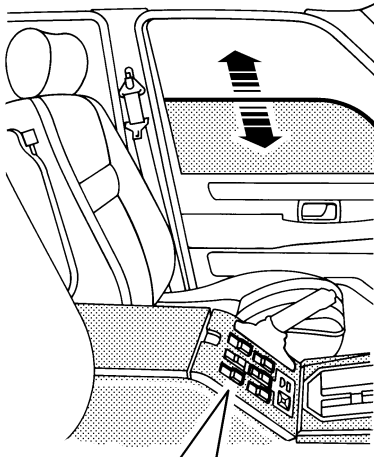


P0095

Horn

To operate the horn press on any of the horn symbols on the edge of the steering wheel pad.

Electric windows



P0098

The switches on the centre console operate the following windows:

1. Right hand front window.
2. Left hand front window.
3. Right hand rear window.
4. Left hand rear window.
5. Switch to isolate rear door window switches (when carrying children).

NOTE: Rear windows can also be operated by individual window switches mounted on each rear door, provided the isolation switch is not activated.

Operating the windows

The electric windows can be operated when the starter switch is in position 'I' or 'II' and for up to 45 seconds after the starter switch is turned off (provided neither front door is opened in the meantime). If a front door is opened, then a further 45 second period commences.

NOTE: Only manual mode (not 'one-touch') is available for the 45 second period(s).

Press and hold the lower part of a switch to lower and the upper part to raise the window. The window will stop moving as soon as the switch is released.

WARNING

Accidental closing of a window on fingers, hands or any vulnerable part of the body, can result in serious personal injury.

Always observe the following precautions:

- **ISOLATE** the rear window switches when carrying children.
- **ENSURE** children are kept clear when raising or lowering a window.
- **NEVER** leave children alone in the vehicle.
- **ENSURE** that all adult passengers are fully familiar with the controls and the potential dangers of electrically-operated windows.
- **ENSURE** the 'anti-trap' function is activated.

Electric windows

'One-touch' up & down

By briefly pressing and then releasing a switch (within $\frac{1}{2}$ second), a window can be opened or closed at a single touch. Window movement can be stopped at any time by pressing the opposing side of the switch.

NOTE: 'One-touch' up is not available on rear windows.

'Anti-trap' function

The 'anti-trap' function is a safety feature which prevents a window from closing when an obstruction is sensed ('WINDOW BLOCKED' appears in the message centre). It is recommended that this is set at all times, but particularly when carrying children.

NOTE: If the 'one-touch' and 'anti-trap' functions have not been set, an audible warning sounds and 'WINDOW NOT SET' is displayed in the message centre whenever a window is closed and also whenever the starter switch is turned on or off.

Setting the 'one-touch' & 'anti-trap' functions

If the battery has been disconnected, it will be necessary to reset the 'one-touch' and 'anti-trap' functions on each window, using the following procedure:

1. FULLY open and close each window in one continuous operation (note that as the window is closing, an audible warning sounds and 'WINDOW NOT SET' is displayed in the message centre).
2. Once the window has been fully opened and closed, an audible warning sounds and 'WINDOW SET' (together with a window identifier message) is displayed in the message centre.

The 'one-touch' and 'anti-trap' functions will now be operational.

NOTE: The 'one-touch' up function is available on front windows only.

Electric windows

Overriding the 'anti-trap' function

Under certain conditions, you may wish to override the 'anti-trap' function. If, for example, you attempt to operate the windows with the operating mechanism partially frozen, the 'anti-trap' function may falsely sense a trap situation and fail to close the window (always clear any ice from the window to prevent overloading the operating mechanism).

The 'anti-trap' function can be overridden as follows:

1. Using the centre console switches only, press and hold the upper part of the appropriate window operating switch within 10 seconds of the window backing off (after it has falsely sensed a trap situation).
2. Continue to hold the switch until the window is either closed or has reached the desired position (note that as the window is closing, an audible warning sounds and 'ANTI-TRAP OFF' is displayed in the message centre).

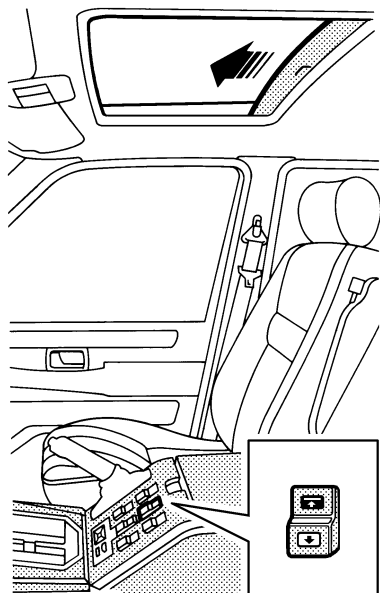
NOTE: *The 'anti-trap' function will be operational again, as soon as the window operating switch is released.*

Rear window isolation switch

Press the bottom of the switch to isolate the rear window controls (a tone will sound and the message centre displays 'REAR WINDOWS OFF'); press the top of the switch to restore independent control.

Always isolate the rear window switches when carrying children.

Electric sunroof



P0099

The sunroof can be operated when the starter switch is in position 'I' or 'II' and for up to 45 seconds after the starter switch is turned off (provided the driver's door is not opened in the meantime). If the driver's door is opened, then a further 45 second period commences.

NOTE: Only manual mode (not 'one-touch') is available for the 45 second period(s).

NOTE: The sunroof blind can be opened and closed manually, but will retract automatically when the sunroof is opened.

The sunroof opens and closes in two separate phases as follows:

To TILT the roof:

With the sunroof closed, press and hold the lower part of the switch, releasing when the sunroof is at the desired angle. Press and hold the upper part of the switch to close the sunroof.

To OPEN the roof:

Press and hold the upper part of the switch, releasing when the sunroof is in the desired position. Press and hold the lower part of the switch to close the sunroof.

'One-touch' operation

Briefly press and then release the upper part of the switch (within $\frac{1}{2}$ second): The sunroof will open to a pre-set position which minimises air turbulence (and noise) within the vehicle. To fully open the sunroof, press and release the switch for a second time. Press and release the lower part of the switch (within $\frac{1}{2}$ second) to close the sunroof at a single touch. Sunroof movement can be stopped at any time by pressing the opposing side of the switch.

NOTE: 'One touch' operation is not applicable to the tilt function.

'Anti-trap' function

The 'anti-trap' function is a safety feature which prevents the sunroof from closing when an obstruction is sensed (message centre shows 'SUNROOF BLOCKED'). It is recommended that this is set at all times, but particularly when carrying children.

NOTE: If the 'one-touch' and 'anti-trap' functions have not been set, an audible warning sounds and 'SUNROOF NOT SET' is displayed in the message centre whenever the sunroof is operational and also whenever the starter switch is turned on or off.

Electric sunroof

Setting the 'one-touch' & 'anti-trap' functions

If the battery has been disconnected, it will be necessary to reset the 'one-touch' and 'anti-trap' functions using the following procedure.

1. FULLY open and close and then FULLY tilt and close the sunroof in one continuous operation; an audible warning sounds, and 'SUNROOF NOT SET' is displayed in the message centre whilst the sunroof is in motion.
2. Once this operation has been successfully completed, an audible warning sounds and 'SUNROOF SET' is displayed in the message centre.

The 'one-touch' and 'anti-trap' functions will now be operational.

WARNING

Accidental closing of a sunroof on fingers, hands or any vulnerable part of the body, can result in serious personal injury.

Always observe the following precautions:

- ***ENSURE that passengers are kept clear when closing the sunroof.***
- ***NEVER leave children alone in the vehicle.***
- ***ENSURE that all adult passengers are fully familiar with the controls and the potential dangers of operating an electrically-operated sunroof.***
- ***DO NOT allow passengers to extend any part of their bodies through the sunroof while the vehicle is moving.***
- ***ENSURE the 'anti-trap' function is activated whenever possible.***

Overriding the 'anti-trap' function

Under certain conditions you may wish to override the 'anti-trap' function. If, for example, you attempt to operate the sunroof with the operating mechanism partially frozen, the 'anti-trap' function may falsely sense a trap situation and fail to close the sunroof (it is recommended that you clear any ice from the sunroof to prevent overloading the operating mechanism).

The 'anti-trap' function can be overridden as follows:

1. Press and hold the appropriate (upper or lower) part of the switch within 10 seconds of the sunroof backing off (after it has sensed a trap situation).
2. Continue to hold the switch until the sunroof is closed; an audible warning sounds and 'ANTI-TRAP OFF' and 'SUNROOF' are displayed in the message centre.

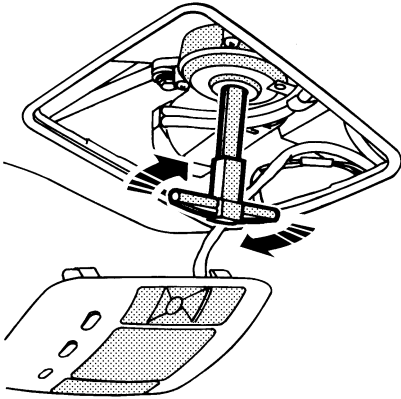
The 'anti-trap' function will be operational again, as soon as the switch is released.

Leaving the vehicle

The message centre will show 'SUNROOF OPEN' if the starter key is removed and the driver's door opened with the sunroof still open.

If you are leaving the vehicle ALWAYS close the sunroof.

Electric sunroof



P0208

Emergency operation

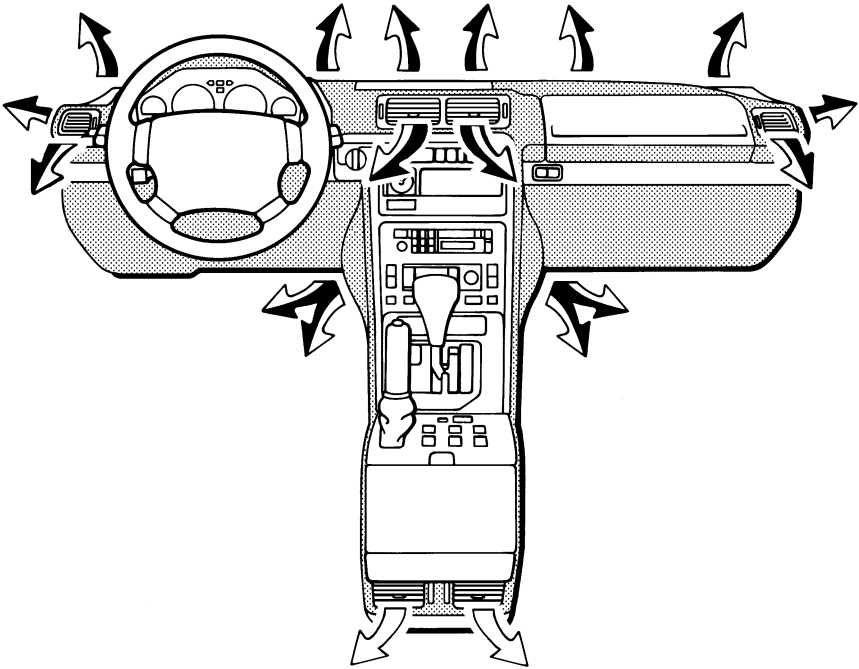
If sunroof operation should fail, first check the fuse and renew if necessary.

If necessary, the emergency operating key (stowed in the glovebox) can be engaged in the sunroof motor spindle and used to manually turn the spindle to close the sunroof (see illustration).

The spindle is accessible by prising the front courtesy light unit from the headlining.

On completion of manual operation, the spindle must be turned back one quarter of a turn to re-engage the drive mechanism.

Heating & ventilating

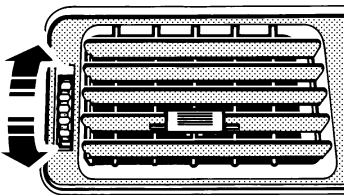


The heating and ventilation system provides fresh or heated air to the vehicle occupants. Outlets are positioned to supply air at both face and foot level and also to the windscreen, as well as to a single lap cooler vent positioned below the steering wheel. The location of the vents is shown in the illustration.

Vehicles fitted with Automatic Temperature Control (ATC) are equipped with two additional outlets which supply de-humidified air to the rear of the passenger compartment.

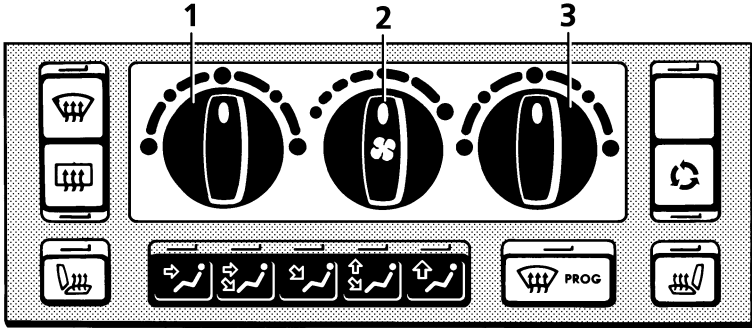
Face level vents

Push the thumbwheel down/up to open/close the vent. Direct the airflow by moving the slider in the centre of the vent. Fully opening the driver's outboard vent also opens the lap cooler outlet.



P0125

Heating & ventilating



P0101

HEATER CONTROLS

1. Left-hand temperature control
2. Fan speed control
3. Right-hand temperature control

Temperature controls






Clockwise rotation of the left or right knob increases the temperature on the corresponding side of the vehicle. Anti-clockwise rotation reduces the temperature.

Fan speed control

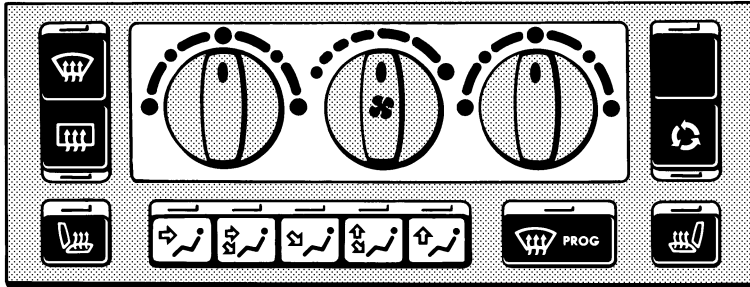
Rotate clockwise to increase and anti-clockwise to decrease the fan speed.

Air distribution

Press the appropriate button to direct air as required (the corresponding indicator light illuminates).

-  Air to face vents and lap cooler
-  Air to face vents and foot outlets.
-  Air to foot outlets.
-  Air to foot outlets and windscreen. (Recommended for clearing mild windscreen misting)
-  All air to windscreen and side window outlets. (Recommended for clearing heavy windscreen misting)

Heating & ventilating



P0206

Programmed defrost/demist



PROG

With the engine running, press the 'PROG' button to

clear frost and mist at the beginning of a journey (indicator light illuminates).

'Programmed defrost' automatically activates the following functions:

- The most efficient heater settings to clear the windscreen and front side windows
- The heated rear screen - for a maximum of 16 minutes
- The heated windscreen (if fitted) - for a maximum of 4 minutes

Press 'PROG' again to cancel 'programmed defrost' and restore the original settings.

Recirculation



Press to recirculate air inside the vehicle interior (indicator light illuminates) - useful to prevent traffic fumes from entering the passenger compartment. Press again to cancel recirculation.

NOTE: Prolonged recirculation may cause the windows to mist up.

Heated rear screen



Press to defrost/demist the rear screen - press again to switch off. This function will switch off automatically after 16 minutes.

Heated windscreen (if fitted)



Press to defrost/demist - press again to switch off. This function will switch off automatically after 4 minutes.

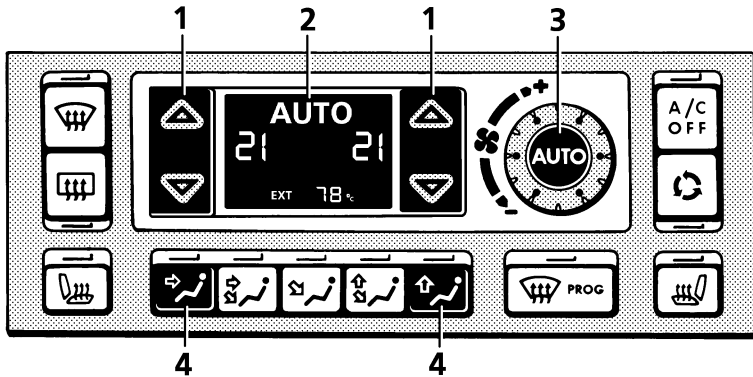
Heated front seats (if fitted)



Press to heat seats (indicator light illuminates) - press again to switch off.

NOTE: For the heater to function correctly, ensure that the air intake at the base of the windscreen is free from ice, snow or other debris.

Heating & ventilating



P0102

AUTOMATIC TEMPERATURE CONTROL (ATC)

Automatic temperature control consists of a computer controlled heating and air conditioning system. It is programmed to reach and then maintain optimum levels of comfort within the vehicle, irrespective of climatic conditions.

FULLY AUTOMATIC OPERATION

With the engine running, press the 'Auto' button (3) ('Auto' appears in the display) and then press the rocker switches (1) either side of the display (2) to adjust the temperature for the corresponding side of the vehicle, until an agreeable comfort level (about 21° C is recommended) is reached. 'HI' or 'LO' will appear in the display when the maximum/minimum temperatures are selected, in which case the system will not function automatically.

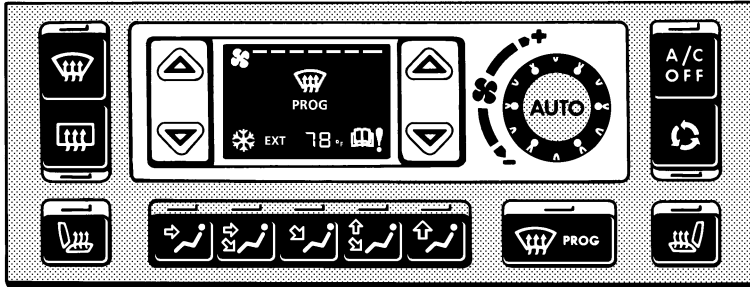
To change the temperature scale to either Centigrade or Fahrenheit press the two outermost air distribution buttons (4) simultaneously for approximately 4 seconds.

NOTE: The automatic temperature control system will not achieve temperatures on the passenger side of the vehicle that are more than 6° C greater or less than the temperature set for the driver's side.


For optimum comfort, ensure all the vents, including those in the rear, are open and that the slider in the centre of each vent is in its central position.

NOTE: For ATC to function correctly, all windows should be closed and the air intake at the base of the windscreen must be free from ice, snow, leaves or other debris.

Heating & ventilating




P0207

 **PROG** **Programmed defrost/demist**
With the engine running, press the 'PROG' button to clear frost or mist at the beginning of a journey (indicator light illuminates and the 'PROG' symbol appears in the display).

The 'programmed defrost' facility automatically activates the following:

- The most efficient heater settings to clear the windscreen and front side windows
- The heated rear screen - for a maximum of 16 minutes
- The heated windscreen (if fitted) - for a maximum of 4 minutes

Press the button again to deactivate 'programmed defrost' and restore the original settings.

 **Recirculation**
Press to recirculate air inside the vehicle interior (indicator light illuminates) - useful to prevent traffic fumes from entering the passenger compartment. Press again to cancel recirculation.

NOTE: Prolonged recirculation may cause the windows to mist.

A/C OFF **Air conditioning 'off'**
Press to switch the air conditioning off (indicator light illuminates). With air conditioning off, the ATC will function in a semi-automatic mode with minimal disturbance to your comfort. When the ATC can no longer achieve comfort without assistance from the air conditioning, the air conditioning indicator light will flash for 10 seconds. Press again to restore the previous air conditioning settings.

NOTE: In very humid conditions, slight screen misting may be experienced when the air conditioning system is turned on. This is a natural occurrence on most automotive air conditioning systems. It is not a fault; misting will clear after a few seconds once the air conditioning system is operating.

Heating & ventilating

SEMI AUTOMATIC OPERATION

The system will operate in a semi automatic mode ('Auto' extinguishes from the display) and the air distribution and blower controls can be operated manually.

Full automatic mode can be restored by pressing the 'Auto' button again.

Air distribution

Press the appropriate button to direct air as required (the corresponding indicator light above the switch illuminates).



Air to face vents.



Air to face vents and foot outlets.



Air to foot outlets.



Air to foot outlets and windscreen (recommended if mild misting of the windscreen occurs when in 'Auto' mode).



All air to windscreen and side window outlets. Recommended if heavy misting of the windscreen occurs.



Fan speed control

Turn clockwise to increase and anti-clockwise to decrease airflow from the vents. Bars appear in the display, the number of which increases or decreases with increasing/decreasing fan speed.

Other features

Front (if fitted) and rear screen heaters



As well as being activated by 'Programmed defrost', both front and rear screen heaters can be operated individually by pressing the appropriate button (press again when no longer required). The rear screen heater switches off automatically after 16 minutes, and the windscreen heater automatically ceases after 4 minutes.

Heated front seats (if fitted)



Press to heat seats (indicator light illuminates) - press again to switch off.



Low temperature warning

If the outside temperature is approximately 3° C or less and there is a possibility of ice, then a snowflake symbol appears in the display.

External temperature

The external temperature is continuously displayed in the lower part of the display.

Self diagnostics



The air conditioning system has the ability to constantly diagnose itself for faults. If a fault is detected, 'the handbook symbol' appears in the display. Contact your dealer for assistance.

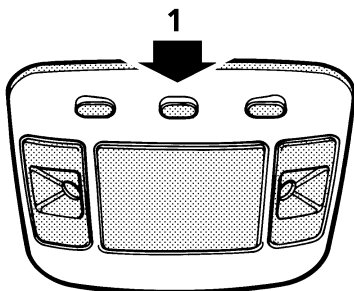
Interior equipment

COURTESY AND MAP READING LIGHTS

Manual operation

Press the appropriate switch to turn the lights on - press a second time to turn off.

NOTE: The front courtesy light switch (arrowed) will also operate the rear courtesy lights.



P0113

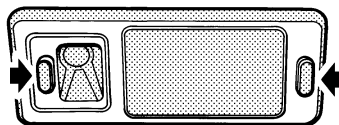
Front

Automatic operation

The front and rear courtesy lights illuminate automatically whenever a door or tailgate is opened, and remain illuminated for approximately 15 seconds after the doors and tailgate are closed or until the starter switch is turned on.

If a door or the tailgate remains open for ten minutes or more, a 'time out' function will extinguish the courtesy lights in order to prevent the battery from discharging.

NOTE: If the rear courtesy lights or map reading lights are left on after being manually operated, they will **NOT** extinguish automatically.



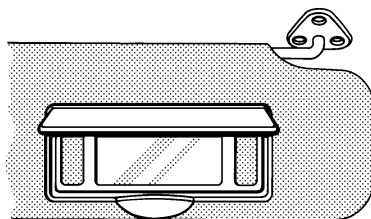
P0114

Rear

To cancel automatic operation:

Press and hold the front courtesy light switch **(1)** until a tone sounds and the message centre displays 'INT LIGHTS OFF'.

Repeat the procedure to re-activate automatic operation (a tone sounds and the message centre displays 'INT LIGHTS ON').



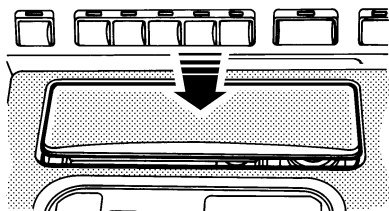
P0115

SUN VISOR VANITY MIRROR ILLUMINATION

(if fitted)

With the starter switch turned to position 'II', pivot the sun visor downward and raise the cover on the vanity mirror to illuminate the mirror. Close the cover to extinguish the lights.

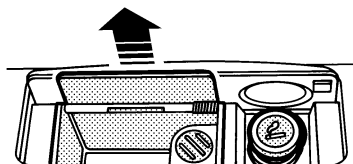
Interior equipment



P0117A

FRONT ASHTRAY

Press the leading edge of the ashtray lid to open. The compartment contains the cigar stubber, the ashtray and the cigar lighter.



P0118

To empty the ashtray, lift the inner tray from the surround.

DO NOT use the ashtray for disposing of waste paper or other combustible materials.

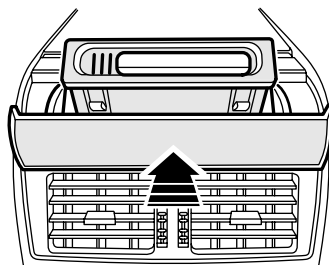
CIGAR LIGHTER

The cigar lighter is located in the front ashtray compartment.

With the starter switch turned to position 'I', press the lighter in to heat up. When it has reached the correct temperature it will partially eject and can then be withdrawn for use.

ONLY hold the cigar lighter by the handle.

DO NOT plug accessories into the cigar lighter socket unless they are approved by Land Rover.



P0119A

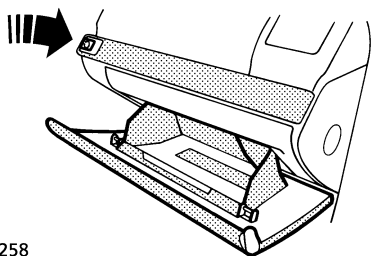
REAR ASHTRAY

Press the front of the ashtray to open.

To empty the ashtray, open the lid and remove the inner tray.

DO NOT use the ashtray for disposing of waste paper or other combustible materials.

Interior equipment



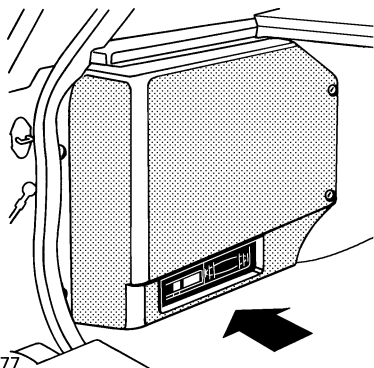
P0258

GLOVEBOX

Press the button to release the catches and lower the lid.

The glovebox light illuminates automatically when the lid is opened and the side lights are on, and extinguishes when the lid is closed.

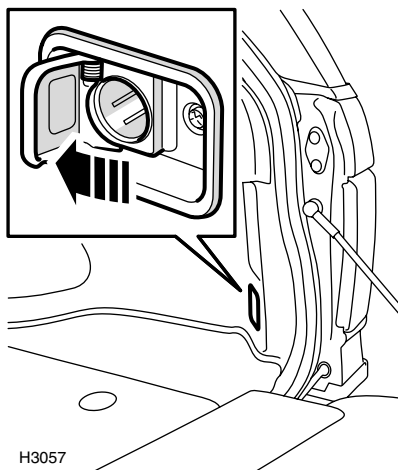
NOTE: The glovebox lock is operated with the starter key. Turn the key a quarter turn to the left to lock.



P0377

CD AUTOCHANGER

The CD autochanger is located in the rear loadspace where shown. Operation of the CD autochanger is covered fully in the 'In-car entertainment' book.



H3057

AUXILIARY POWER SOCKET

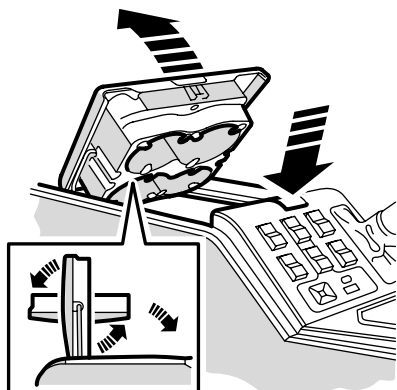
WARNING

NEVER plug unapproved accessories into the auxiliary power socket. Damage to the vehicle's electrical systems could occur.

An electrical accessories socket is mounted in the rear loadspace (where shown). This can be used to power Land Rover approved electrical accessories that use a maximum of 180 Watts.

NOTE: Always run the engine if prolonged use of electrical accessories is required - otherwise the battery will become discharged.

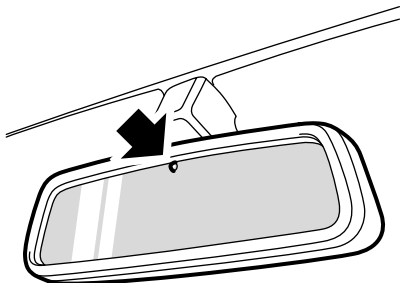
Interior equipment



H3063

CUBBY BOX

Press the button (arrowed), then lift to open the lid. On some models the lid may be rotated (see inset) to form a cup holder. Press down on the front of the lid to close and ensure that the latch has fully engaged before using the lid as a cup holder.

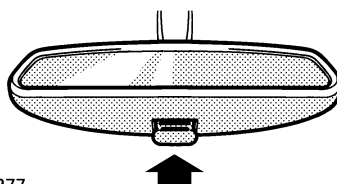


H3062

INTERIOR REAR-VIEW MIRROR

Automatic mirror (if fitted)

The interior mirror is equipped with an automatic dimming function that reduces glare from the headlights of following vehicles at night. The dimming function is activated by the light sensor (arrowed), which also dips the door mirrors.



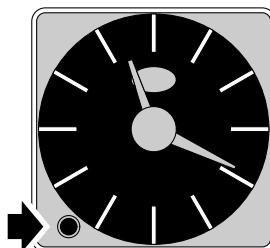
P0277

Manual mirror (if fitted)

The manual rear view mirror can be dipped to reduce glare from following vehicles. At night, move the lever at the base of the mirror forward to 'dip' the mirror. Normal visibility is restored by pulling the lever back again.

WARNING

In some circumstances the view reflected in a 'dipped' manual mirror can confuse the driver as to the precise location of following vehicles. Remember to take additional care!



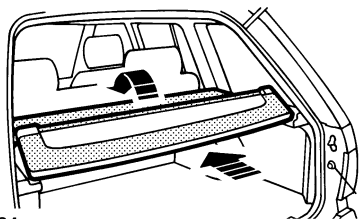
H3569

CLOCK

To adjust the time, press and release the button to increment by one minute; press continuously to 'fast forward' the hands.

NOTE: *The clock will need to be reset if the battery has been disconnected.*

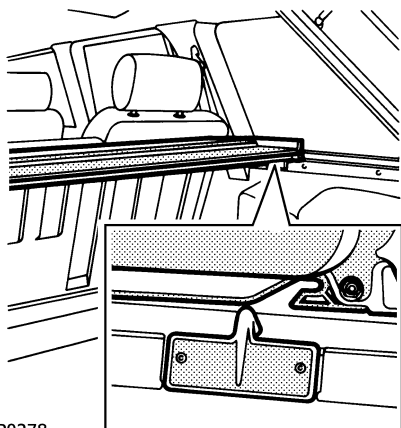
Interior equipment



P0124

LOADSPACE COVER

Fold the rear loadspace cover by pushing upward and forward (arrowed) into the vehicle. Lay the rear section of the cover on the forward section.



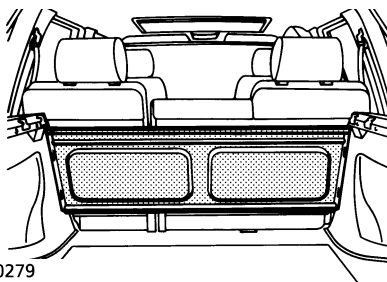
P0278

The loadspace cover can be removed by pulling on the rear to disengage it from the side spigots and stored in the forward area of the loadspace; a channel is formed in both of the loadspace side panels immediately behind the rear seats to accommodate the folded loadspace cover.

WARNING

The loadspace cover is not designed to carry luggage or loose items - these may obscure vision and could become dangerous projectiles in the event of a sudden stop or collision.

All equipment, luggage or tools carried in the load area should be secured to minimise the risk of injury to the driver and passengers in the event of an accident or emergency manoeuvre.



P0279

In-Car Telephones

WARNING

Refrain from operating a telephone fitted with its own aerial inside the vehicle (see main text).

Your vehicle utilises a number of electronic systems designed to provide you with maximum comfort, safety and economy. These systems may be affected by the use of mobile communication equipment inside the vehicle. However, the use of an external aerial will greatly reduce the likelihood of this occurrence.

For your safety, always note the following precautions before fitting or using an in-car telephone, or any mobile communication equipment.

- Only use an installation kit incorporating an aerial external to the vehicle.
- Ensure that the installation is carried out by a competent installer.
- Refrain from operating a mobile phone fitted with its own aerial inside the vehicle - the electromagnetic field radiated by the phone may interfere with the vehicle's electrical systems.

For your safety

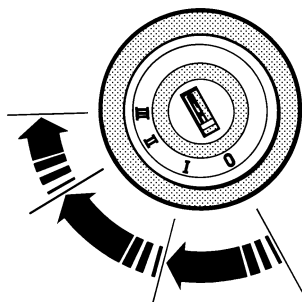
Using any hand-held appliance while driving can be dangerous. Always stop the vehicle before making a call and ensure the telephone is switched off while you are driving.

SECTION 3

Driving & operating

Section Contents	Page
Starter switch & steering lock	89
Starting & driving	90
Catalytic converter	95
Fuel	97
Manual transmission	101
Automatic transmission	103
Braking systems	108
Traction control	111
Cruise control	112
Air suspension	114
Trip computer & overspeed warning	121
Towing & load carrying	124
Emergency starting	128
Emergency towing	131

Starter switch & steering lock



P0150

STEERING COLUMN LOCK

To unlock the steering column

Insert the ignition key FULLY and turn the starter switch to position 'I'

To lock the steering column

Turn the starter switch to position '0' and withdraw the key from the starter switch.

WARNING

DO NOT remove the key or turn the starter switch to position '0' while the vehicle is in motion. Once the steering lock is engaged, it is impossible to steer the vehicle.

STARTER SWITCH

The starter switch is located to the right of the steering column, and uses the following sequence of key positions to operate the steering lock, electrical circuits and starter motor.

Position '0'

Steering locked (if key is removed).

The fuel filler flap can be opened.

Most lighting circuits are operational, including: park lights, headlights and hazard warning lights.

Position 'I'

Steering unlocked.

Radio/cassette/CD player, electric windows, wipers and washers can be operated.

Position 'II'

All instruments, warning lights and electrical circuits are operational.

Position 'III'

Starter motor operates.

Release the starter key immediately the engine starts (the key will automatically return to position 'II').

Note that operation of position 'I' electrical functions will be interrupted during engine cranking.

NOTE: On automatic models 'P' or 'N' must be selected before the engine will start.

Starting & driving

V8i PETROL MODELS

WARNING

The catalytic converter (if fitted) is easily damaged through improper use, particularly if the wrong fuel is used, or if an engine misfire occurs.

Before starting the engine and driving, ENSURE that you are familiar with the precautions shown under 'Catalytic converter' later in this section.

In particular, you should be aware that if the engine fails to start, continued use of the starter may result in unburnt fuel damaging the catalytic converter.

Starting

1. Check that the handbrake is applied and that the gear lever is in 'P' or 'N'.
2. Switch off all unnecessary electrical equipment.
3. Insert the starter key and turn the switch to position 'II' and then on to position 'III' to operate the starter motor; DO NOT press the accelerator pedal during starting, and RELEASE THE KEY as soon as the engine is running.

In temperate climates DO NOT operate the starter for longer than 5 seconds; if the engine fails to start, switch off and wait for 10 seconds before re-using the starter. Please note that continued use of the starter will discharge the battery. In temperate climates the battery charging and oil pressure warning lights should extinguish as soon as the engine is running.

Cold climates

In very cold climates the oil pressure warning lights may take several seconds to extinguish. Similarly, engine cranking times will also increase; at -30° C the starter motor may need to be operated continuously for as long as 30 seconds before the engine will start. For this reason, ensure that all non-essential electrical equipment is switched off.

Block heaters

Only approved block heaters restricted to a maximum of 400 W should be used. Block heaters that exceed this output may damage the emission control components.

Warming-up

In the interests of fuel economy, it is advisable to start driving straight away, remembering that harsh acceleration or labouring the engine before the normal operating temperature has been reached can damage the engine.

After starting, ensure that the handbrake or footbrake are firmly applied and the accelerator pedal is not pressed while moving the gear selector lever from 'N' or 'P', otherwise the vehicle will move immediately the selector lever is moved to one of the drive positions. This is particularly important when the engine is cold because the engine will be idling at a faster speed than normal.

Starting & driving

WARNING

Exhaust fumes contain poisonous substances which can cause unconsciousness and may even be fatal.

- **DO NOT inhale exhaust gases.**
 - **DO NOT start or leave the engine running in an enclosed unventilated area, or drive with the tailgate door open.**
 - **DO NOT modify the exhaust system from the original design.**
 - **DO repair exhaust system or body leaks immediately.**
 - **If you think that exhaust fumes are entering the vehicle, have the cause investigated and corrected immediately.**
-

Parking

After bringing the vehicle to a stop, ALWAYS apply the handbrake and select neutral on manual gearboxes ('P' on automatic gearboxes) before releasing the footbrake and switching off the engine.

Switching off

Return the starter switch to position 'I' and then to position 'O' to remove the key.

NOTE: Ensure that 'P' is selected before removing the key.

DIESEL MODELS

WARNING

Your vehicle is fitted with a catalytic converter which can be easily damaged through improper use, particularly if the wrong fuel is used, or if an engine misfire occurs.

Before starting the engine ENSURE that you are familiar with the precautions shown under 'Catalytic converter' later in this section.

In particular, you should be aware that continued use of the starter may result in unburnt fuel damaging the catalytic converter.

Starting

1. Check that the handbrake is applied and that the gear lever is in neutral ('P' or 'N' for automatic transmission).
2. Switch off all unnecessary electrical equipment.
3. Insert the key and turn the starter switch to position 'II'. Wait until the glow plug warning light extinguishes.
4. Turn and hold the key in position 'III' to operate the starter motor; DO NOT press the accelerator pedal during starting, and RELEASE THE KEY as soon as the engine is running. If the engine stalls you MUST return the starter switch to position 'I' before attempting to restart; the engine will not start by turning the starter switch from position 'II'.

Starting & driving

In cold weather, or when the battery is in a low state of charge on manual gearbox vehicles, depress the clutch pedal while starting and hold it down until the engine is running.

In temperate climates DO NOT operate the starter for longer than 5 seconds; if the engine fails to start, switch off and wait for 10 seconds before re-using the starter. Please note that prolonged use of the starter will discharge the battery.

Cold climates

In very cold climates the battery charging and oil pressure warning lights may take several seconds to extinguish. Similarly, engine cranking times will also increase; at -30°C the starter motor may need to be operated continuously for as long as 30 seconds before the engine will start. For this reason ensure that all non-essential electrical equipment is switched off.

Warming-up

In the interests of fuel economy, it is advisable to start driving straight away, remembering that harsh acceleration or labouring the engine before the normal operating temperature has been reached can damage the engine.

WARNING

The engine must not be run above fast idle speed until the oil pressure warning light extinguishes. This will ensure that the engine and turbocharger bearings are properly lubricated before being run at normal driving speeds.

IMPORTANT INFORMATION

Exhaust fumes contain poisonous substances which can cause unconsciousness and may even be fatal.

- DO NOT inhale exhaust gases.
- DO NOT start or leave the engine running in an enclosed, unventilated area.
- If you think that exhaust fumes are entering the vehicle, have the cause investigated and corrected immediately.

Switching off

To avoid the possibility of damaging the turbo-charger bearings through inadequate lubrication, ALWAYS allow the engine to idle for 10 seconds before switching off. Turn the engine off by returning the starter switch to position 'I' and then position '0' to remove key.

Starting & driving

RUNNING-IN (petrol & diesel models)

Proper running-in will have a direct bearing on the reliability and smooth running of your vehicle throughout its life.

In particular, the engine, gearbox, brakes and tyres need time to bed-in and adjust to the demands of everyday motoring. It is, therefore, essential to drive with consideration for the running-in process for at least the first 800 km and observe the following advice:

- LIMIT maximum road speed to 110 km/h. Initially, drive the vehicle on a light throttle and only increase engine speeds gradually once the running-in distance has been completed.
- DO NOT operate at full throttle or allow the engine to labour in any gear.
- AVOID fast acceleration and heavy braking except in emergencies.

EMISSION CONTROL SYSTEM

Land Rover vehicles are fitted with emission and evaporative control equipment necessary to meet a number of territorial requirements.

In many countries it is against the law for vehicle owners to modify or tamper with emission control equipment, or to sanction the unauthorised replacement or modification of this equipment by a repair shop. In such cases the vehicle owner and the repairer may both be liable for legal penalties. It is important to remember that all Land Rover dealers are properly equipped to perform repairs and to maintain the emission control system on your vehicle.

FUEL ECONOMY

Fuel consumption is influenced by two major factors:

- How your vehicle is maintained.
- How you drive your vehicle.

To obtain optimum fuel economy, it is essential that your vehicle is maintained in accordance with the manufacturer's service schedule.

On automatic gearbox models, driving with the gearshift in 'D' in the HIGH range, but not in 'sport' mode, will provide the best fuel economy.

Items such as, the condition of the air cleaner element, tyre pressures and wheel alignment can have a significant effect on fuel consumption. But above all, the way in which you drive is the most important. The following hints may help you to obtain even better value from your motoring:

- Avoid unnecessary short, start-stop journeys.
- Avoid fast starts. Instead, accelerate gently and smoothly from rest.
- Do not drive in the lower gears for longer than necessary.
- Decelerate gently and avoid sudden and heavy braking.
- Anticipate obstructions and adjust your speed accordingly well in advance.
- When stationary in traffic, select neutral to improve fuel economy and air conditioning performance.

Starting & driving

IMPORTANT DRIVING INFORMATION

Instruments & warning lights

Before driving, it is important to fully understand the function of the instruments and warning lights described in section 2.

NOTE: *Red warning lights are of particular importance, illumination indicates that a fault exists. If a red light illuminates always stop the vehicle and seek qualified assistance before continuing.*

Vehicle stability

Your vehicle has a higher ground clearance and, therefore, a higher centre of gravity than ordinary cars. This will result in different handling characteristics. Inexperienced drivers should take additional care, particularly in off-road driving situations and when performing abrupt manoeuvres at inappropriate speeds or on unstable surfaces.

Vehicle height

The overall height of your vehicle exceeds that of an ordinary car (even when ACCESS ride height is selected). Always be aware of the height of your vehicle and check the available headroom before driving through low entrances. This is particularly important if the vehicle is fitted with a roof rack or if the sunroof is open.

Power assisted steering

The hydraulic power-assisted steering is equipped with a positive 'centre feel' characteristic, which gives enhanced vehicle stability at high speeds and in cross winds.

Power assistance is progressively applied the more the steering wheel is turned. For example: where manual steering effort would normally be greatest (at slow speeds on maximum lock), power assistance is at its greatest. Similarly, where only minimal steering effort would normally be required (at high speed with the wheels straight ahead), then power assistance is also minimal, thus enabling the driver to benefit from apparently consistent steering effort at all times.

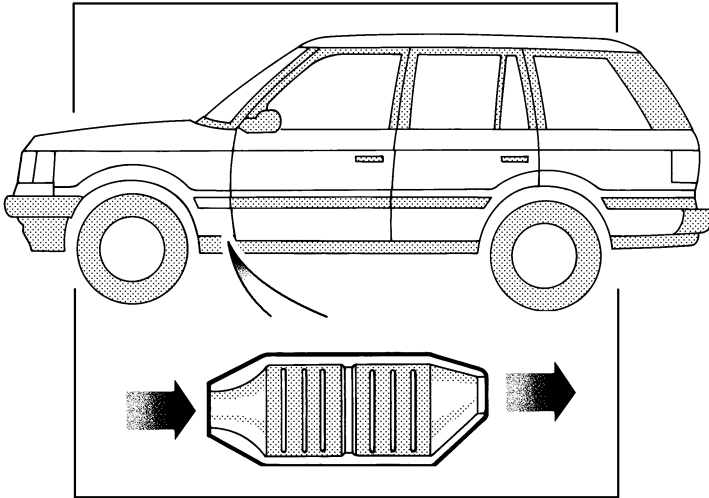
NOTE: *Power assistance is dependent on the engine running. If the engine is not running, greater effort will be required to steer the vehicle.*

Auxiliary equipment

WARNING

Do NOT use auxiliary equipment, such as a roller generator, which is driven by one wheel of the vehicle, as this could cause failure of the gearbox differential. In some cases the vehicle may attempt to drive itself forward.

Catalytic converter



P0177

CATALYTIC CONVERTER

The exhaust system on most models incorporates a catalytic converter, which converts poisonous exhaust emissions from the engine into environmentally less harmful gases, thereby reducing atmospheric pollution.

WARNING

*The catalytic converter can be easily damaged through improper use, particularly if the wrong fuel is used. For this reason, it is **VERY IMPORTANT** that you heed the precautions which follow:*

Fuel

- Use **ONLY** fuel recommended for your vehicle.

Starting the engine

- **DO NOT** continue operating the starter switch if the engine fails to start after a few attempts (unburnt fuel may be drawn into the exhaust system, thereby damaging the catalyst); seek qualified assistance.
- When starting a cold engine, **DO NOT** drive if a misfire is suspected; seek qualified assistance.

Catalytic converter

Driving

- Provided the engine has reached its normal operating temperature, if a misfire is suspected, or if the vehicle lacks power while driving, it may be driven SLOWLY (at risk of damaging the catalyst) to a Land Rover dealer for assistance.
- NEVER allow a vehicle to run out of fuel (the resultant misfire could destroy the catalyst).
- Engines burning excessive oil (blue smoke from the exhaust) will progressively reduce catalyst efficiency.
- On rough terrain, DO NOT allow the underside of the vehicle to be subjected to heavy impacts which could damage the catalytic converter.
- DO NOT overload or excessively rev the engine.

Switching off

- DO NOT switch off the engine while a forward or reverse drive gear is selected.

Vehicle maintenance

- Any engine misfire, loss of engine performance or engine run-on, could seriously damage the catalytic converter. For this reason, it is vital that unqualified persons do not tamper with the engine, and that regular systematic maintenance is carried out by a Land Rover dealer.
- DO NOT run the engine with a spark plug or HT lead removed, or use any device that requires an insert into a spark plug.

WARNING

Exhaust system temperatures can be extremely high; DO NOT park on ground where combustible materials such as dry grass or leaves could come into contact with the exhaust system (in very dry weather a fire could result).

FUEL REQUIREMENTS

WARNING

On petrol engine models fitted with a catalytic converter, serious damage to the catalyst will occur if leaded fuel is used!

PETROL ENGINES

Engines with a catalytic converter:

High compression engines: 95 RON UNLEADED to EN228

Low compression engines: 91 RON UNLEADED to EN228

Engines without a catalytic converter:

Use 91 RON UNLEADED petrol wherever possible.

In territories where only LEADED fuel is available, USE 95 RON LEADED.

The RON values quoted above are MINIMUM requirements and can be safely exceeded.

Using petrol with a lower octane rating, however, can cause persistent, heavy 'engine knock' (a metallic rapping noise). If severe, this can lead to engine damage.

If heavy engine knock is detected when using the recommended octane rated fuel, or if steady engine knocking is present while maintaining a steady speed on level roads, contact your dealer for advice.

NOTE: *An occasional, light, engine knock while accelerating or climbing hills is acceptable.*

Petrol quality

The RON value (octane rating) and type of petroleum (unleaded or leaded), available at garage forecourts will vary in different parts of the world. For example, in most European countries 95 RON unleaded fuel is readily available, but in some parts of the world fuel supplies may be limited to leaded or lower octane fuels only.

During manufacture, engines are tuned to suit the fuel supplies commonly available in the country for which the vehicle is destined.

However, if a vehicle is later exported to a different country, or is used to travel between different territories, the owner should be aware that the available fuel supplies may not be compatible with the engine specification. If in doubt, seek advice from the territory concerned.

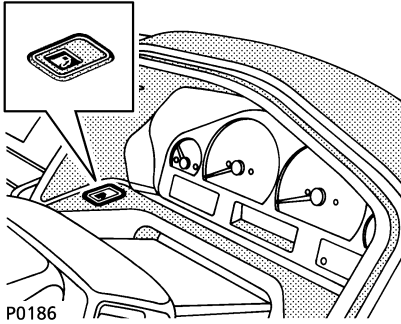
Diesel engines

The quality of diesel fuel (Derv) can vary in different countries and only clean, good quality fuel should be used. It is important that the sulphur content of diesel fuel does not exceed 0.3%. In Europe all supplies should be within this limit, but in other parts of the world you should check with your supplier. Ensure that the fuel filter element is changed at the recommended service intervals.

WARNING

On both petrol and diesel engine vehicles, if the fuel tank is accidentally filled with the wrong fuel, it is ESSENTIAL that you contact your Land Rover dealer BEFORE attempting to start the engine.

Fuel



FUEL FILLER FLAP

The fuel filler is located in the rear right-hand wing. Press the fuel filler switch (shown in illustration) to open the filler flap.

The fuel filler switch may only be operated with the starter key turned to position '0'; it will not operate when the engine is running.

NOTE: An arrow on the fuel gauge indicates which side of the vehicle the fuel filler flap is located.

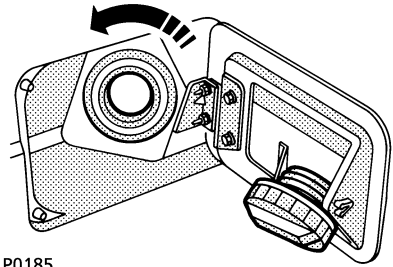
Fuel filler cap

The fuel filler cap is designed to allow the fuel tank to vent during the first half turn. When removing, carefully loosen the cap one half turn until resistance is felt, then pause to enable fuel tank pressure to be released. Once the pressure is released (hissing has stopped), it is safe to fully remove the cap.

When replacing, tighten the cap clockwise until you hear the fuel cap ratchet at least three times.

WARNING

To avoid any sudden discharge of fuel caused by excessive air pressure, the cap is designed to allow the fuel tank to vent during the first half turn. DO NOT fully remove the cap until pressure has been released. The cap should be removed and placed in the retaining bracket on the rear of the flap until refuelling is complete.



Fuel filling

Filling station pumps are equipped with automatic cut-off sensing to avoid fuel spillage; only fill the tank until the filler nozzle automatically cuts-off the supply. DO NOT attempt to fill the tank beyond this point or spillage could result due to expansion of the fuel.

On petrol engine vehicles which are designed to operate ONLY on unleaded fuel, the fuel tank filler neck will ONLY accept a narrow filler nozzle of the type found on pumps that deliver unleaded fuel.

On petrol engine vehicles which are designed to operate on leaded fuel, the fuel tank filler neck will accept the wider filler nozzles found on pumps that deliver LEADED fuel.

WARNING

DO NOT fully fill the tank if the vehicle is to be parked on a slope in direct sunlight or high ambient temperature - expansion of the fuel could cause spillage.

EMPTY FUEL TANK

DO NOT RUN THE FUEL TANK DRY!

In the case of vehicles fitted with a catalytic converter, running the fuel tank dry could create an engine misfire capable of damaging the catalytic converter.

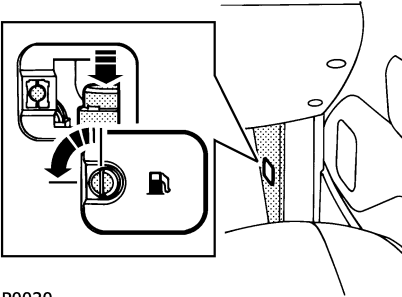
If you have run the fuel tank dry and have refilled the tank, turn the starter switch to position 'II'. After 4 seconds, switch off and then return the switch to position 'II' for a further 4 seconds before operating the starter motor; do not press the accelerator pedal during starting, and RELEASE THE KEY as soon as the engine is running.

In the case of diesel models, if the engine fails to start, qualified assistance will be required to prime the fuel system before the engine can be restarted.

SAFETY ON THE FORECOURT

Petroleum and diesel gases are highly inflammable and, in confined spaces, are also extremely explosive. Always take sensible precautions when refuelling:

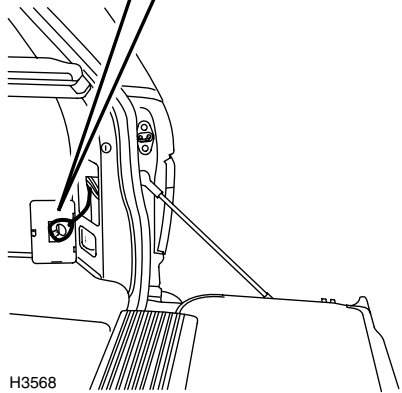
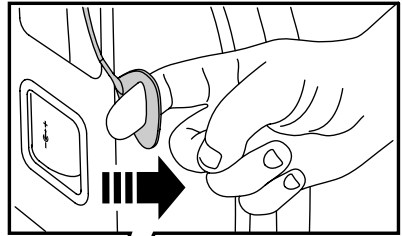
- Switch off the engine.
- Do not smoke or use a naked flame or light.
- Do not overfill the tank.



P0020

INERTIA SWITCH

For information about the operation of the inertia switch (see 'Locks & alarm').

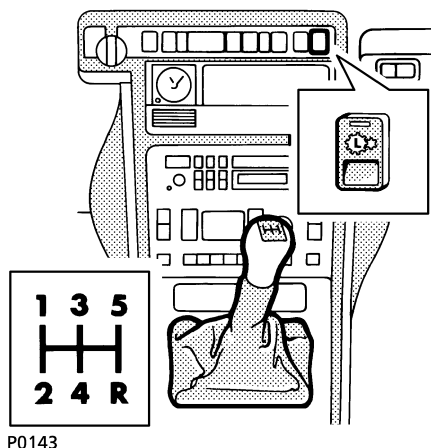


H3568

FUEL FILLER FLAP EMERGENCY RELEASE

Open the tailgate and remove the access panel behind the right hand rear lamp cluster. Release the handle from its stowage point on the back of the access panel and pull to release the fuel filler flap.

Manual transmission



P0143

MANUAL TRANSMISSION

Manual transmission vehicles are equipped with a five speed main gearbox and a two-speed transfer box. By using the main gearbox in combination with the transfer gears, ten forward and two reverse gear ratios are available.

Main gearbox

The gear positions for the main gearbox are shown on the gear lever knob. Note that when the main gearbox is in neutral, the gear lever is spring-loaded to automatically align between third and fourth gear positions.

Transfer gearbox

The transfer gearbox is operated by pressing the 'Hi/Lo' switch (illustrated).

- Use the high range for all normal road driving and also for off-road driving across dry, level terrain.

- Use the low range gears in any situation where low speed manoeuvring is necessary, such as reversing a trailer or negotiating a boulder strewn river bed; also use low range for more extreme off-road conditions where progress in high range cannot be maintained.

Selecting 'High' or 'Low' range

To make the change between HIGH and LOW, **the vehicle must be stationary.**

1. With the vehicle stationary and the brakes applied, depress the clutch and select neutral.
2. Press the 'Hi/Lo' switch - the 'Hi/Lo' switch indicator light and transfer gearbox warning light (in the instrument panel) start flashing.
3. When the change is complete, both lights extinguish. If high range has been selected, the message centre displays 'HIGH' momentarily, then extinguishes. If low range has been selected, the message centre briefly displays 'LOW', after which 'L' is displayed.
4. Now select the required gear.

WARNING

***DO NOT rush the transfer gear change.
DO NOT release the clutch or move the gear lever until the 'Hi/Lo' indicator light and the transfer gearbox warning light stop flashing.***

Manual transmission

IMPORTANT INFORMATION

If the clutch is engaged before the transfer between high and low gears is complete, a 'clunk' or grinding sound will be heard and the indicator light in the switch will continue to flash. If this occurs, depress the clutch, select neutral and attempt the change again.

- If the vehicle is moving when a transfer gear change is attempted, the message centre will display 'SLOW DOWN'.
- If the 'Hi/Lo' switch is pressed when the gear lever is in any position other than neutral, 'SELECT NEUTRAL' will appear in the display.

Clutch

DO NOT use the clutch pedal as a foot rest. To prevent unnecessary wear, always keep the left foot well clear of the clutch pedal except when changing gear.

NOTE: *A foot rest is conveniently positioned to the left of the clutch.*

Starting and driving

Before starting the engine, ensure that the handbrake is applied and the gear lever is in neutral.

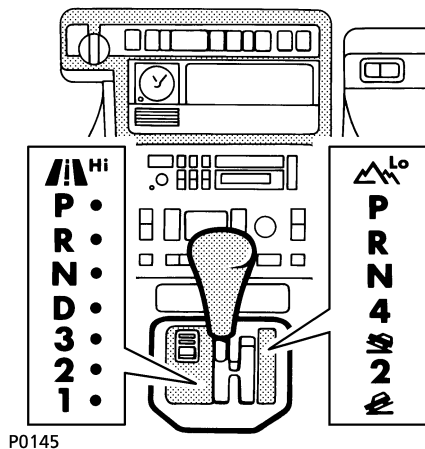
WARNING

Manual transmission vehicles can be started with the clutch engaged and the vehicle in gear. This practise is NOT recommended - only start the vehicle with the gear lever in neutral.

Emergency towing

If it is necessary for the vehicle to be towed on all four wheels, transfer neutral MUST be selected. (See '*Emergency towing*').

Automatic transmission



P0145

AUTOMATIC TRANSMISSION

Vehicles with automatic transmission are equipped with an 'H-gate' gear selector mechanism. This combines the operating mechanism of both the main gearbox and the transfer gears, and enables the gear selector positions for both the high and low gear ranges to be located side by side.

Gear selector lever

Move the selector lever forward or back along the driver's side of the 'H' to select the high range of gears. Similarly, by moving the lever to the passenger side, the low range can be selected instead. The 'H-gate' illumination is colour coded to identify the two ranges: high range illumination is green and low range is amber.



P0151

A spring loaded catch built into the handle of the gear selector lever restricts movement of the lever, thereby preventing inadvertent gear selection. The catch has two pressures:

- the first pressure enables gear changes to be made within a single range of gears (High range OR Low range).
- the second pressure enables the selector to be moved from one range of gears to another (ie. from High TO Low).

NOTE: Gear selection between 'D' and '3' (High range) or '4' and '3' (Low range) may be made without pressing the catch.

HIGH RANGE GEARS

Use the high range for road driving and also for off-road driving across dry, level terrain. The message centre will momentarily display 'HIGH' as soon as High range is selected, and then display the gear selected (eg. '3').

WARNING

DO NOT attempt to change to LOW range gears for normal road driving.

Automatic transmission

LOW RANGE GEARS

ONLY use low range gears in a situation where low speed manoeuvring is necessary, such as reversing a trailer or negotiating a boulder strewn river bed; also use low range for more extreme off-road conditions where progress in high range cannot be maintained.

When low range is selected, the message centre displays 'LOW' momentarily, and then 'L' is displayed along with the relevant gear selected (eg. 'L2').

High/low range change warning

An audible warning will sound whilst a change from one gear range to another is attempted. The warning will cease once the change is complete or cancelled.

Using the 'H-gate'

To make a change from high to low or vice versa, **the vehicle must be stationary**.

1. Apply the brakes and, with the vehicle stationary, select 'N'.
2. Fully depress the catch built into the handle of the selector lever and move the lever across the cross-piece of the 'H-gate'. On reaching the required gear range, the 'H'-gate illumination and the transfer gearbox warning light (in the instrument pack) start to flash, and the audible warning sounds.
3. Wait until illumination of the new gear range selector positions is constant and the transfer gearbox warning light extinguishes (the audible warning will silence and High or Low is displayed in the message centre), before selecting the desired gear in the new range and releasing the brakes.

If the vehicle is moving when a transfer gear change is attempted, the message centre will display 'SLOW DOWN' and the audible warning will sound.

If the gear range is changed and forward or reverse drive engaged without first waiting in 'N' for the illumination to stop flashing and the audible warning to stop, the message centre will display 'SELECT NEUTRAL' and a warning will sound - reselect 'N' and wait for range change completion before selecting the required driving gear.

WARNING

To avoid personal injury and possible damage to the transmission, it is essential to ensure that any change of gear range is fully completed before releasing the brake and driving, i.e. wait until:

- ***Illumination of the gear range selector positions is continuous.***
 - ***The transfer gearbox warning light has extinguished.***
 - ***The audible warning is silent.***
 - ***The message centre displays the appropriate message - 'HIGH' or 'LOW'.***
-

Automatic transmission

Selector lever positions (high range)

'P' Park

In this position the transmission is locked to prevent the vehicle from rolling away. Select ONLY with the vehicle stationary.

'R' Reverse

Select ONLY when the vehicle is stationary.

'N' Neutral

Use this position when the vehicle is stationary and the engine is to idle for a short period (eg. at traffic lights).

'D' Drive

In high range, select 'D' for all normal driving on good road surfaces; fully automatic gear changing occurs on all forward gears according to vehicle speed and accelerator position.

'3' (1st, 2nd and 3rd gears)

Automatic gear changing is limited to first, second and third gears only. In high range, use in congested traffic conditions and for town driving.

'2' (1st and 2nd gears)

Automatic gear changing is limited to first and second ratios only. In high range, use when driving up steep gradients and for negotiating very narrow twisting roads. This position also provides moderate engine braking for descending slopes.

'1' (1st gear only)

Use on very severe gradients, particularly when towing, and when maximum engine braking is required.

NOTE: If position '2' or '1' is selected from 'D' or '3' while the vehicle is travelling at high speed in high range, then, depending on vehicle speed, third gear will immediately engage. Progressive deceleration will then cause downshifts into second and then first gear when appropriately low road speeds are reached.

WARNING

Always leave the vehicle with the gear selector in 'P' (Park) position when parked, even when the starter key is not removed.

Starting and driving

Drivers unfamiliar with the performance characteristics of automatic gearboxes should thoroughly familiarise themselves with the following instructions before driving.

- Before starting the engine, ensure that both footbrake and handbrake are applied.
- After starting the engine, KEEP THE BRAKES APPLIED whilst moving the selector lever to the required drive position.
- Keep the brakes applied until you are ready to move - remember, once a drive position is selected, an 'automatic' will tend to creep forward (or backward).
- Never 'rev' the engine while selecting a forward or reverse drive gear, or while the vehicle is stationary with a drive gear selected - remember, an 'automatic' will move immediately the accelerator pedal is pressed.

Automatic transmission

Gear changing in high range

The road speeds at which gear changes take place vary according to the position of the accelerator; minimum acceleration will result in gear changes at low road speeds, while greater throttle openings will cause the gearbox to delay gear changes until faster road speeds have been reached (thereby increasing acceleration).

With practice, gear changes can be made to occur at a wide range of different road speeds depending on accelerator pedal pressure.

On long inclines, an automatic gearbox will sometimes change back and forth between gears. This occurs because the transmission does not include a ratio that is precisely right for the particular incline and vehicle loading circumstances. Excessive gear changing is wasteful of fuel and results in a loss of momentum; it can be prevented by selecting the '3' or '2' positions which limit the gearbox to lower ratios.

'Kick-down'

To provide rapid acceleration for overtaking, 'kick' the accelerator pedal to the full extent of its travel in a single, quick movement (this is known as 'kick-down'). Up to a certain speed, this will cause an immediate downshift into the lowest appropriate gear, followed by rapid acceleration. Once the pedal is relaxed, normal gear change speeds will resume (dependent on road speed and accelerator pedal position).

MODE SWITCH

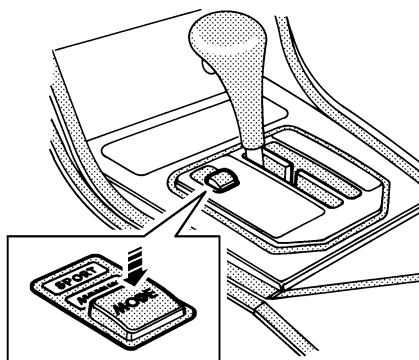
In High range, the mode switch is used to select 'Sport' mode.

In Low range, pressing the same switch selects 'Manual' mode.

Pressing the switch a second time returns the gearbox to its normal operation.

'Sport' mode

When accelerating in 'Sport' mode, gear changing is delayed to make optimum use of the engine's power. Select when increased acceleration is required, or when negotiating long inclines or twisting roads. However, you should be aware that driving in 'Sport' mode will increase fuel consumption.



P0172

To select 'Sport' mode, press the 'Mode' switch once whilst the gearbox is in High range (the message centre will display 'S' along with the selected gear, eg. 'S3').

Automatic transmission

'Manual' mode

Press the mode switch whilst the gearbox is in Low range to select 'Manual' mode; this enables the transmission to function as a manual gearbox, providing maximum vehicle control and engine braking - ideal for use in severe off-road conditions (the message centre displays 'LM' along with the selected gear, eg. 'LM3').

NOTE: *Changing from High to Low range (or vice versa) will automatically cancel 'Sport' or 'Manual' mode.*

Towing for recovery

If it is necessary for the vehicle to be towed on all four wheels, transfer neutral **MUST** be selected. (See '*Emergency towing*').

Braking systems

FOOT BRAKE

As a safety precaution, the hydraulic braking system operates through dual circuits. If one circuit fails the other will continue to function, but increased brake pedal travel, greater pedal effort and longer stopping distances will be experienced.

Brake pads

Brake pads require a period of bedding in. You should avoid heavy braking except in emergencies for at least the first 800 km.

Remember that regular servicing is vital to ensure that the brake pads are examined for wear and changed periodically to ensure long term safety and optimum performance.

WARNING

DO NOT rest your foot on the brake pedal while travelling as this may overheat the brakes, reduce their efficiency and cause excessive wear.

NEVER move a vehicle without the engine running because braking assistance may not be available. The pedal brakes will still function, but more pressure will be required.

ALWAYS take particular care when being towed with the engine turned off.

If the brake warning light should illuminate while the vehicle is in motion, bring the vehicle to a halt as quickly as traffic conditions and safety permit and seek qualified assistance before continuing DO NOT pump the brake pedal. If the brake pedal is pumped the braking system may lose any remaining assistance available.

HANDBRAKE

Unlike most other vehicles, the handbrake operates on the rear propeller shaft, and NOT on the road wheels. This may result in slight movement of the vehicle after the handbrake is applied.

Apply the handbrake by pulling back the lever. To release, pull the lever back slightly and hold the release button depressed while allowing the lever to fully return to its off position.

WARNING

DO NOT apply the handbrake while the vehicle is in motion (except in an emergency) as this could result in loss of vehicle control and damage to the transmission.

Do not rely on the handbrake to operate effectively if the vehicle has been subjected to immersion in mud and water. (see 'Off-road driving').

Braking systems

ANTI-LOCK BRAKING

The purpose of anti-lock braking (ABS) is to allow efficient braking without wheel locking, thereby allowing the driver to retain steerability and control of the vehicle.

WARNING

ABS cannot overcome the physical limitations of stopping the vehicle in too short a distance, cornering at too high a speed, or the danger of aquaplaning, i.e. where a layer of water prevents adequate contact between the tyres and the road surface.

The fact that a vehicle is fitted with ABS must never tempt the driver into taking risks that could affect his/her safety or that of other road users. In all cases, it remains the driver's responsibility to drive within normal safety margins, having due consideration for the prevailing weather and traffic conditions.

The driver should always take account of the surface to be travelled over and the fact that brake pedal reactions will be different to those experienced on a non-ABS vehicle.

ABS incorporates a monitoring system which checks that all the electrical components are in working order before each journey and also at frequent intervals while the vehicle is in use. The warning lights on the instrument panel are part of this system and it is essential that the driver observes these and fully understands their functions - these are fully described in Section 2 of the handbook under 'Warning lights'.

WARNING

DO NOT drive until the red brake warning light has extinguished (with the handbrake released). If the light stays on or illuminates whilst driving, this indicates either a malfunction of the system or low fluid level in the reservoir. In this case ABS control is not available. Stop as soon as safety permits and seek qualified assistance before continuing.

ABS in action!

Under normal driving conditions (where sufficient road surface friction exists to reliably bring the vehicle to a halt without the wheels locking), ABS will not be brought into operation.

However, should the braking force exceed the available adhesion between the tyres and the road surface, then ABS will automatically come into operation; brake pedal 'feel' will harden, and the sound of solenoid cycling may be heard as the ABS regulates braking pressure to ensure wheel rotation.

Little further pedal travel will be possible at this point, but effort on the pedal can be varied to influence braking while the ABS retains control.

During braking, some vibration may be felt through the brake pedal. This is a normal result of the system regulating braking pressure. However, frequent vibration indicates a hazardous surface under the road wheels and is a warning to the driver to adjust speed to suit the road surface and traffic conditions.

Braking systems

When ABS stops operating, extra initial pedal travel will be experienced and the 'feel' of the brake pedal will revert to its non-ABS condition.

WARNING

Do not pump the brake pedal at any time as this will interrupt ABS operation and may increase braking distance.

Ensure that there are no obstructions beneath the brake pedal which may prevent full travel, i.e. additional floor mats.

Brake pedal reactions will be different from those experienced on a non-ABS vehicle.

Additional operating information

- Under ABS control, heavy braking on a dry road may produce tyre noise and slight marking of the road surface. Neither need cause concern.
- Solenoid cycling may sometimes be heard when driving on very rough roads or while 'feathering' (light braking) over irregular or pitted surfaces. This is part of the normal ABS function.
- If excessive pedal travel is experienced, full braking will still be available; push the pedal through the free movement until resistance is felt, then apply the necessary force to obtain braking. However, as soon as safety permits stop the vehicle and seek qualified assistance before continuing.

- On soft surfaces such as powdery snow, sand or gravel, and also on very rough surfaces, braking distances with ABS may be greater than those achievable with a non-ABS system. This is because the natural action of locked wheels on soft surfaces is to build up a wedge of material in front of the wheels which assists in stopping (however, ABS will continue to provide better stability and steering control).
- If the vehicle is brought to rest on a steep slope which has a very low-friction surface, the vehicle may slide with the wheels locked because there is no wheel rotation to signal movement to the ABS. If this occurs, momentarily release the brakes (to permit some wheel rotation), before re-applying them to allow ABS to regain control. Where a slow descent is necessary, engage a LOW range gear with the engine running to allow a controlled descent (see 'Off-road driving' for further information).

WARNING

ABS is designed to operate only with genuine Land Rover parts, and the tyres and wheels specified in 'General data'.

Land Rover cannot accept any responsibility for inefficient operation of the system caused by modifications to the vehicle or the fitting of non-approved components. Always consult your Land Rover dealer for advice.

Traction control

ELECTRONIC TRACTION CONTROL

The purpose of electronic traction control is to aid traction when one wheel on an axle spins whilst the other still has good grip, e.g. if one side of the vehicle is on ice and the other is on tarmac. The system works by applying the brake to a spinning wheel in order to transfer torque to the other side of the axle.

NOTE: *Traction control only operates below approximately 100 km/h.*

The instrument panel has a traction control warning light (TC) and, when appropriate, traction control messages will also be displayed in the message centre.



The warning light illuminates whenever the system is active (for a minimum of 2 seconds)

and is accompanied by the message centre displaying 'TRACTION'. In the unlikely event that traction control is used continuously for too long (in excess of approximately 1 minute), then the control unit shuts down to allow cooling and the warning light flashes for at least ten seconds; this is accompanied by the message centre displaying 'TRACTION OVERHEAT'.

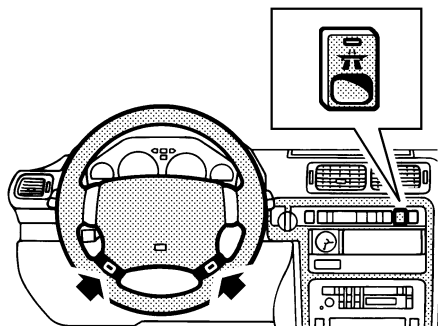
If there is a fault with the system, then the warning light will illuminate continuously and the message centre displays 'TRACTION FAILURE'. If this occurs, you should contact a Land Rover dealer at the earliest opportunity.

Cruise control

IMPORTANT INFORMATION

- DO NOT use cruise control on winding or slippery road surfaces, or in traffic conditions where a constant speed cannot easily be maintained.
- ALWAYS switch off the master switch when you no longer intend to use cruise control.
- DO NOT rest your foot under the accelerator pedal while cruise control is engaged - your foot could be trapped.

NOTE: On automatic gearbox models, selecting Cruise control while the gearbox is in 'Sport' mode will result in more frequent and harsher acceleration and gear changing. This is not recommended.



P0175

CRUISE CONTROL (if fitted)

Cruise control enables the driver to maintain a constant road speed without using the accelerator pedal. This is particularly useful for motorway cruising or for any journey where a constant speed can be maintained for a lengthy period.

The cruise control system has three switches: a master switch on the fascia panel and two control switches marked 'SET+' and 'RES' (arrowed in illustration) mounted in the steering wheel.

To operate

1. Press the master switch (the indicator light in the switch illuminates).
2. Accelerate until the desired speed is reached - this must be above the system's minimum operational speed of 45km/h for petrol engine models, or 50 km/h for diesel engine vehicles.
3. Press the 'SET+' switch to set the vehicle speed in the cruise control system's memory. Cruise control will now maintain that road speed without the need for operation of the accelerator.

With cruise control operating, speed can be increased temporarily, e.g. for overtaking, by normal use of the accelerator. When the accelerator is released, road speed will return to the selected cruising speed.

Cruise control

To reduce the cruising speed

Use the brake pedal to slow the vehicle until the required speed has been reached, then press the 'SET+' switch to establish a new cruising speed (remember that cruise control will not operate at speeds below 45 km/h for petrol engine models, or 50 km/h for diesel engine vehicles).

On petrol models only: press the 'RES' switch once momentarily to cut off cruise control; if the brake pedal is not used, the vehicle will slow down gradually. When the desired speed has been reached, press the 'SET+' switch to establish the new cruising speed.

To increase the set cruising speed

Press and hold the 'SET+' switch; the vehicle will accelerate automatically. Release the switch as soon as the desired speed has been reached.

Alternatively, the set speed can be increased incrementally by 'tapping' the 'SET+' switch. For each five taps the speed will increase by 8 km/h.

Disengaging cruise control

Cruise control will automatically disengage if the brake (or clutch) pedals are pressed, or when the gear lever is moved into neutral (gear selector lever position 'N' for automatic gearbox).

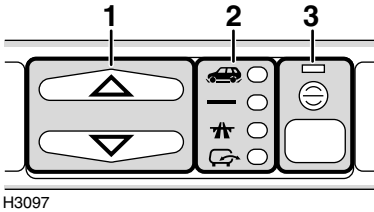
On petrol models only: press the 'RES' switch once momentarily to cut off cruise control; this allows the vehicle to slow down gradually.

If required, press the 'RES' switch again to re-engage cruise control at the previously-set speed.

NOTE: *The speed held in the cruise control memory will be cancelled when either the cruise control master switch or the starter switch are turned off.*

NOTE: *Cruise control will disengage automatically if your road speed falls to less than 75 per cent of the set speed (this could occur when towing uphill).*

Air suspension



Your vehicle is fitted with an electronically controlled air suspension system (EAS) which provides five different ride height settings including an 'Access' mode. These settings increase or decrease the height and ground clearance of your vehicle to cope with different driving conditions.

In addition, the EAS also provides automatic suspension levelling.

Before operating EAS

Remember, even if a change of ride height is selected, it will NOT take place:

- If the tailgate or any door is open.
- Whilst the footbrake is continuously applied for less than 3 minutes.
- If the engine is not running (except for selection of 'Access' within 40 seconds of switching off).

If the 'Access' mode is required, ensure the handbrake is applied (select 'P' for automatic transmission).

NOTE: Frequent changes between ride heights could cause the compressor to overheat. If this occurs, EAS will be fully operational again after a few minutes when the compressor has cooled.

CONTROLS

Ride height selector (1)

Press and release the upper or lower arrow on the rocker switch to raise or lower the vehicle to the next ride height setting (the relevant indicator light will illuminate).

Ride height indicator panel (2)

All indicator lights illuminate as a bulb check when the starter switch is initially turned to position 'II' and remain illuminated until the engine is started.

Each specific indicator light illuminates when a height setting is in operation. When a change in height is activated, the indicator lights illuminate in the following sequence:

- The new height indicator light flashes.
- When the new height is reached, its indicator light stops flashing and illuminates continuously (the previous indicator light extinguishes).

'Inhibit' switch (3)

The indicator light in the switch illuminates as a bulb check when the starter is initially turned to position 'II'.

- Press the switch to select 'Inhibit' mode (indicator light illuminates). This will prevent automatic changes between Standard and Low ride height.
- Press again to switch off.

Air suspension

IMPORTANT INFORMATION

Even in 'Inhibit' mode, the ride height can automatically change from 'Access'/'Crawl' to the 'Low' ride height and from 'Extended' or 'High' profile to 'High' or 'Standard'.

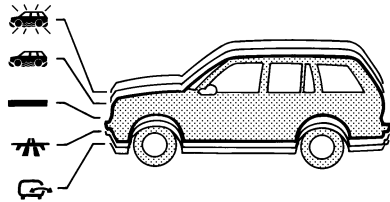
If the suspension is in 'Inhibit' mode and 'Access' ride height is selected when the engine is switched off, then when the engine is restarted, if the gear selector is moved from 'P' ('Park' on automatic transmission) and the handbrake is released before the system bulb check is complete, the vehicle will rise from 'Access' to 'Standard' instead of 'Low' ride height. For more information on the bulb check, see 'Air suspension warning light'.



Air suspension warning light


The warning light on the instrument panel illuminates as a bulb check when the starter switch is turned on and remains illuminated until two seconds after the engine has started.

In addition, the light will illuminate whilst driving whenever 'High' or 'Extended' ride heights are selected, and also if a fault with the air suspension system is detected.




HEIGHT SETTINGS

Standard ride height

 Suitable for most driving conditions and recommended for towing (see 'Towing with EAS').

High ride height

 Approximately 40 mm above 'Standard'. Improves approach and departure angles (off-road) and is also recommended for wading.

Can be selected manually under 55 km/h. If this speed is exceeded EAS automatically returns to 'Standard'.

NOTE: The air suspension warning light illuminates when this height is selected.

WARNING

High ride height must not be selected for driving on the public highway.

Air suspension



Low ride height

Approximately 25 mm below 'Standard'. Selected automatically when speeds of over 80 km/h are sustained for over 30 seconds. This setting lowers the vehicle's centre of gravity, thereby improving the handling characteristics of the vehicle. The vehicle automatically returns to 'Standard' if speeds below 55 km/h are sustained for over 30 seconds. 'Low' can be manually selected at any speed when Inhibit mode has been selected.

Access/Crawl ride height



Access mode

Approximately 65 mm below 'Standard', enabling easier access or loading. 'Access' can be selected with the engine running and for up to 40 seconds after it has been switched off provided:

- The vehicle is stationary.
- The handbrake is applied (gearshift in 'P' for automatic transmission).
- All doors and the tailgate are closed.
- The footbrake is NOT applied.

'Access' can also be preselected up to 40 seconds before the vehicle stops. However, the suspension will not begin to lower until the vehicle is stationary with the handbrake applied, the gear selector in the 'P' (park) position and the footbrake released. Preselection is automatically cancelled if the 40 second period is exceeded.

NOTE: *If a door/tailgate is opened or the footbrake is applied while the vehicle is changing height, the change will be interrupted.*

When moving off, vehicle height automatically returns to 'Standard' ('Low' if 'Inhibit' mode was operational BEFORE 'Access' was selected, see '*Inhibit*' switch).

IMPORTANT INFORMATION

If the suspension is in 'Inhibit' mode and 'Access' ride height is selected when the engine is switched off, then when the engine is restarted, if the gear selector is moved from 'P' ('Park' on automatic transmission) and the handbrake is released before the system bulb check is complete, the vehicle will rise from 'Access' to 'Standard' instead of 'Low' ride height. For more information on the bulb check, see 'Air suspension warning light'.

If 'Inhibit' mode is selected AFTER 'Access', 'Crawl' mode is selected (see '*Crawl*' mode).

WARNING

Always take care when UNLOADING your vehicle in an area where height is restricted.

With the starter switch turned off, the suspension will automatically re-level the vehicle every time a door (or the tailgate) is opened and then closed (and every few hours thereafter).

After unloading, the height of the vehicle will therefore increase.

Air suspension

Crawl mode

If it is necessary to manoeuvre the vehicle in an area where height is restricted, 'Crawl' mode should be selected as follows:

- Select 'Access'.
- If the 'Inhibit' mode is already active, release the 'Inhibit' switch (indicator light extinguishes).
- Press the 'Inhibit' switch (indicator light illuminates).
- The message centre emits an audible warning and 'EAS MANUAL' is displayed.

IMPORTANT INFORMATION

While in 'Crawl' mode: If the vehicle exceeds 10 mph (16 km/h), the message centre emits an audible warning and displays 'SLOW: 30 KMH MAX'.

If the vehicle exceeds 40 km/h, the ride height automatically changes to 'Low'.

If the vehicle then slows to 32 km/h, the EAS automatically returns to 'Crawl' mode.

If road speed reduces to 8 km/h, the message centre emits an audible warning and displays 'EAS MANUAL'.

If the engine is switched off in 'Crawl' mode, the vehicle will return to 'Access' mode when restarted. If 'Crawl' is still required, it MUST be reselected !



Extended ride height

Approximately 70 mm above 'Standard'. Extended ride height is automatically selected if the vehicle comes to a halt as a result of the chassis coming into contact with the ground. It CANNOT be selected manually ('High' indicator light flashes and the High suspension warning light illuminates).

'Extended' ride height is automatically sustained for 10 minutes after which it returns to 'High' unless the 'ride height' selector is used to select a different setting.

Air suspension

EAS MESSAGES

The following messages may appear in the message centre display. These are warnings to which the driver must respond.

Message	Meaning	Solution
'EAS MANUAL'	vehicle locked in 'Access'.	EAS WARNING! The vehicle is being driven on its bump stops.
'SLOW: 30 KPH MAX'	road speed too high for current ride height.	slow down to less than 30 km/h.
'EAS FAULT'	there is a fault with the air suspension.	Consult your Land Rover dealer.
'SLOW: 55 KPH MAX'	Air suspension fault.	Slow to 55 km/h and seek qualified assistance

Air suspension

EAS functions ('Inhibit' mode off)

Down selections

'Extended' to 'High' after 10 minutes operation, or press the lower arrow on the ride height selector once.

'Extended' to 'Standard' speed above 55 km/h, or press the lower arrow twice.

'High' to 'Standard' speed above 55 km/h, or press the lower arrow once (if speed is less than 55 km/h).

'Standard' to 'Low' speed above 80 km/h for longer than thirty seconds.

'Standard' to 'Access' press the lower arrow once (see *'Access mode'*).

Up selections

'Low' to 'Standard' speed below 55 km/h for over thirty seconds or press the upper arrow on the ride height selector when the vehicle is stationary.

'Access' to 'Standard' move off from stationary, or press the upper arrow once whilst stationary, or move automatic gearbox selector lever from Park and release the hand brake.

'Standard' to 'High' press the upper arrow once below 55 km/h.

EAS functions ('Inhibit' mode on)

(indicator light illuminated)

Down selections

'Extended' to 'High' after 10 minutes of operation, or press the lower arrow on the ride height selector once.

'Extended' to 'Standard' speed above 55 km/h, or press the lower arrow twice.

'High' to 'Standard' speed above 55 km/h, or press the lower arrow once.

'Standard' to 'Access' press the lower arrow twice.

'Standard' to 'Low' press the lower arrow once.

'Low' to 'Access' press the lower arrow once.

Up selections

'Access' to 'Low' (not for 'Crawl') move off from stationary, or press the upper arrow once.

'Low' to 'Standard' press the upper arrow once.

'Standard' to 'High' press the upper arrow once below 55 km/h.

Air suspension

TOWING WITH EAS

When towing, it is recommended that the suspension is locked in 'Standard ride height' as follows;

- Press the 'Inhibit' switch (indicator light illuminates).
- Select 'Standard' (as described earlier in this section).

FAULT DIAGNOSIS

If the EAS self-check detects a minor fault in the system, 'Standard' is automatically selected. No ride height changes are possible until the fault is rectified. The message centre emits an audible warning and 'EAS FAULT' is displayed. All the EAS indicator lights flash in unison for 30 seconds before they, and the High suspension warning light, illuminate continuously.

If a major fault is detected, the vehicle lowers to 'Access', and the message centre emits an audible warning and displays 'SLOW: 55 KPH MAX'.

If a second fault occurs, all the EAS indicator lights flash again.

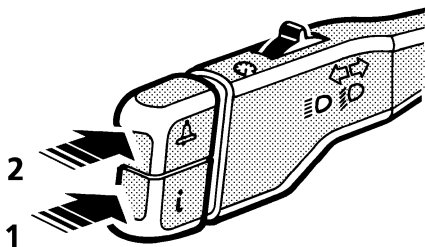
NOTE: *Certain minor faults are rechecked after the EAS system is re-powered. If the message 'EAS FAULT' is displayed, switch off the engine and keep all doors and tailgate closed for at least 2 minutes, then re-start the engine.*

If a fault is no longer present, normal operation is restored. However, a record of the fault is stored by the system's computer to aid your dealer.

WARNING

If either a minor, or major fault develops, take your vehicle to your dealer as soon as possible. Only an authorised Land Rover dealer will be able to rectify faults.

Trip computer & overspeed warning



P0192

The trip computer provides valuable information to assist the driver to calculate fuel stops, journey times and distances.

The two push switches (illustrated) operate the trip computer and overspeed warning system, and messages from the trip computer and overspeed warning system are displayed in the message centre.

NOTE: *The message centre's primary function is to display warning messages generated by the vehicle's monitoring systems. Trip computer messages are of secondary importance and therefore automatically overridden when other, more important, information is required for display. The trip computer and overspeed warning messages resume when other messages are no longer valid.*

TRIP COMPUTER

With the starter switch in position 'II', press switch (1) to scroll through the trip computer functions. These will appear in the following order:

- DISTANCE TO EMPTY
- AVERAGE FUEL CONSUMPTION
- AVERAGE SPEED
- TRIP DISTANCE TWO
- TRIP DISTANCE ONE

NOTE: *Trip Distance One is the computer's default position.*

Distance to empty

This function is automatic and indicates the remaining distance you can travel before the fuel gauge reads empty - the message centre displays: 'RANGE - - -'.

If the estimated remaining distance falls below 80 km/h, the message centre will display 'REFUEL, RANGE < 50' ('REFUEL, RANGE < 80'), indicating that you should refuel at the earliest opportunity.

NOTE: *If a recalculation of the Distance To Empty function occurs when the range is between 80 - 90 km/h, the display will show the distance to empty message but NOT the refuel message. Take care not to run out of fuel!*

Trip computer & overspeed warning

Average fuel consumption

This function is automatic and indicates the average fuel consumption since the last time the trip computer was reset (average fuel consumption is calculated by dividing the distance travelled by the amount of fuel used).

While the system is calculating the average fuel consumption, the display shows 'COMPUTING MPG'. Once the fuel consumption value is calculated, 'AVERAGE MPG' will be displayed, and a 3 digit fuel consumption value (shown in tens, units and tenths of a gallon) also appears in the display.

NOTE: *The displayed value will not change at a rate greater than 0.1 litres/100 km per 6 seconds, and will be between 0 and 99.9 litres/100 km.*

Average speed

This function is automatic and indicates the average speed since the last time the trip computer was reset (average speed is calculated by dividing the actual distance travelled by the accumulated time in which the starter switch has been turned on).

While the system is calculating the average speed, the display will show 'COMPUTING MPH'. Once the calculation has been made, the display changes to 'AVG. SPEED' followed by 3 digits indicating the average speed in hundreds, tens and units.

NOTE: *The Average Speed display will change at a maximum rate of 4 km/h per 5 seconds.*

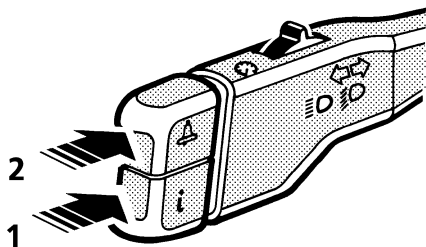
Trip distance two

This function records the distance over which the average fuel consumption and speed have been calculated, and will always be the distance the vehicle has travelled since the computer was last reset. The message centre displays 'TRIP2 ---'.

Trip distance one

This is a standard trip recorder of the type fitted to most motor vehicles and records the distance travelled since the reset button (on the right of the instrument pack) was last pressed. Press the reset button to zero the trip recorder. If the message display shows an internal or trip computer message, it can be changed to display the Trip Distance One function by operating the trip recorder reset button - the message centre displays the distance only (without 'TRIP1 ---').

Trip computer & overspeed warning



P0192

Resetting the trip computer

With the starter switch turned to position 'II', press and hold switch 1 for at least 2 seconds:

- Distance To Empty and Average Fuel Consumption functions both reset. The display will show 'COMPUTING RANGE' and 'COMPUTING MPG' until a distance of 1 kilometre has been travelled, after which the computer will once again be able to calculate an average fuel consumption figure.
- Average Speed is reset. The display will show 'COMPUTING MPH' until the vehicle has travelled far enough (1 kilometre) for an average speed to be available.
- Trip Distance Two function resets to zero

NOTE: The Trip Distance One function is not affected by resetting the trip computer.

TRIP COMPUTER OVERSPEED WARNING

The overspeed warning function is an aid to keeping within speed limits, and is selected by pressing switch 2 ('bell' symbol).

To set the speed limit, press the switch (once or twice) until 'SPEED LIMIT - - -' is displayed, and then hold the switch until the required speed appears in the display (speeds will scroll upwards in increments from 30 km/h to 140 km/h).

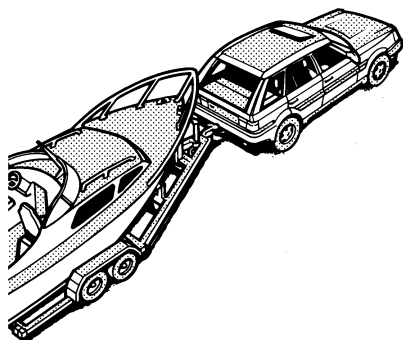
NOTE: The display will start scrolling from which ever speed was previously set in the system memory.

As soon as the required speed appears in the display, release the switch. That speed will then be set in the system memory.

Whilst driving, if you exceed the pre-set speed, 'SPEED LIMIT - - -' will be displayed in the message centre and an audible warning will sound.

To cancel the speed you have set, press switch 2 again (the message 'SPEED LIMIT OFF' will appear).

Towing & load carrying



P0211

TOWING WITH YOUR VEHICLE

The torque ranges of Land Rover engines allow maximum-weight loads to be pulled smoothly from standstill, and reduce gear changing on hills or rough terrain. The suspension is designed to cope with a heavy trailer load without upsetting the balance or feel of the vehicle.

WARNING

Only fit towing accessories that have been designed and approved by Land Rover.

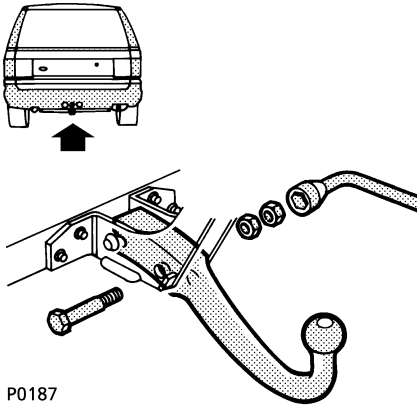
Ensure that the gross vehicle weight and maximum rear axle weight are not exceeded.

When preparing your vehicle for towing always pay careful attention to the trailer manufacturer's recommendations and the following guidelines.

- Set the electronic air suspension to 'INHIBIT' select STANDARD ride height and maintain that setting whilst towing.
- Ensure that the vehicle and trailer tyre pressures are as recommended by the trailer manufacturer.
- Check the operation of trailer brakes and lights.
- For maximum stability, ensure that loads are properly secured and unable to shift position during transit. Where possible, position loads so that most of the weight is placed close to the floor and immediately above or close to the trailer axle(s).
- After loading the trailer check that the weight on the hitch point (this is called the draw-bar loading weight, or nose weight), is in accordance with the manufacturer's recommendations.
- When calculating the laden weight of the trailer, remember to include the weight of the trailer PLUS the load.
- Where the load can be divided between trailer and tow vehicle, loading more weight into the vehicle than the trailer will generally improve the stability of the combination.

Towing & load carrying

NOTE: Towing regulations vary from country to country. It is very important, therefore, to ensure that national regulations governing towing weights and speed limits are observed. The maximum permissible towed weights and information stated on the instruction label attached to the tow bracket refer to the vehicle's design limitations and NOT to any specific territorial restrictions (see 'Maximum permissible towed weights').



THE LAND ROVER TOWBALL

(if fitted)

In some countries, vehicles are supplied with a Land Rover towball - this is stowed in the storage tray at the side of the spare wheel.

Insert the towball into the channel beneath the rear bumper, locating the rear of the towball over the stud at the rear of the channel. Hold the towball in position and, from the left hand side, insert the bolt through the channel and the towball.

Ensure that the head of the bolt rests firmly against the side of the channel. A block welded to the left hand side of the channel prevents rotation of the bolt when the locknuts are tightened.

Using the wheelbrace, separately fit and tighten the two locknuts.

WARNING

Before towing, ALWAYS check that the locknuts are fully tightened and that the cutout in the towball body is located on the stud at the rear of the channel.

ALWAYS store the towball in the storage tray at the side of the spare wheel. NEVER leave the towball loose in the vehicle where it could become a projectile in the event of heavy braking or an accident.

NOTE: In some countries it is a requirement that the towball remains attached to the vehicle.

Towing & load carrying

MAXIMUM PERMISSIBLE TOWED WEIGHTS (all models)

	On-road	Off-road
Unbraked trailers	750 kg	500 kg
Trailers with overrun brakes	3,500 kg	1,000 kg
Trailers with coupled brakes	3,500 kg	1,000 kg

NOSE WEIGHT

The recommended maximum trailer nose weight is 150 kg (330 lb). The nose weight plus the combined weight of the vehicle's load carrying area and rear seat passengers must NOT EXCEED the maximum rear axle load or the gross vehicle weight (as shown in 'General data').

AUTOMATIC GEARBOX MODELS

If very heavy trailer loads are towed (particularly at high altitude or in hot climates), the 'GEARBOX OVERHEAT' warning may appear in the message centre.

This warning indicates that the gearbox oil is too hot, in which case you should reduce road speed or manually select a lower gear or transfer to the LOW range of gears. If the message persists, stop the vehicle and allow the gearbox to cool. If the message resumes after cooling, seek qualified assistance before continuing.

VEHICLE WEIGHTS

When loading a vehicle to its maximum (gross vehicle weight), consideration must be taken of the unladen vehicle weight and the distribution of the load to ensure that axle loadings do not exceed the permitted maximum values.

It is your responsibility to limit the vehicle load in such a way that neither the maximum axle loads nor the gross vehicle weight are exceeded (see 'General data').

WARNING

DO NOT carry unsecured equipment, tools or luggage which could move and cause personal injury in the event of an accident or emergency manoeuvre, either on or off road.

Towing & load carrying

TRAILER SOCKET (if fitted)

When the engine is running, power consumption from the trailer socket must not exceed 5 amps.

ROOF RACK

A Land Rover approved roof rack is available as an accessory. Fitting instructions and loading recommendations are detailed in the literature provided with the roof rack; observe all recommendations.

The total load must NOT exceed that given in '*General data*', and must include the weight of the roof rack within the load.

IMPORTANT INFORMATION
<p>A loaded roof rack can reduce the stability of the vehicle, particularly when cornering and encountering cross winds.</p> <p>All loads should be evenly distributed, and secured within the periphery of the rack.</p> <p>Only fit roof racks that have been designed for your vehicle. If in doubt, consult your dealer.</p>

Emergency starting

STARTING AN ENGINE WITH A DISCHARGED BATTERY

The ONLY recommended methods of starting a vehicle with a discharged battery are:

- Using a substitute battery fitted to the disabled vehicle.
- Using booster cables (jump leads) to connect the battery from a donor vehicle to the discharged battery.

WARNING

- ***Batteries emit explosive hydrogen gas - keep sparks and naked lights away from the engine compartment.***
 - ***DO NOT attempt to jump start the vehicle if the electrolyte in the battery is suspected of being frozen.***
 - ***Make sure BOTH batteries are of the same voltage (12 volts), and that the booster cables have insulated clamps and are approved for use with 12 volt batteries.***
 - ***DO NOT disconnect the discharged battery.***
 - ***DO NOT connect positive (+) terminals to negative (-) terminals, and ensure booster cables are kept away from any moving parts in the engine compartment.***
 - ***Take care when working near rotating parts of the engine.***
-

USING BOOSTER CABLES

If a donor vehicle is to be used, both vehicles should be parked with their battery locations adjacent to each other. Ensure that the two vehicles do not touch.

Apply the handbrakes and ensure that the transmission of both vehicles is set in neutral ('P' or Park for vehicles with automatic transmission).

Turn off the starter switch and ALL electrical equipment of BOTH vehicles, then follow the instructions specific to petrol or diesel engine models on the pages that follow.

Emergency starting

CONNECTING THE BOOSTER CABLES PETROL ENGINES

Always adopt the following procedure:

Connect the RED booster cable between the positive (+) terminal of the donor battery and the positive (+) terminal of the discharged battery.

Connect the BLACK booster cable from the negative (-) terminal of the donor battery to a good earth point (eg. an engine mounting or other unpainted surface) at least 0.5 m from the battery and well away from fuel and brake lines on the disabled vehicle (engine lifting ring shown in illustration).

WARNING

For safety reasons;

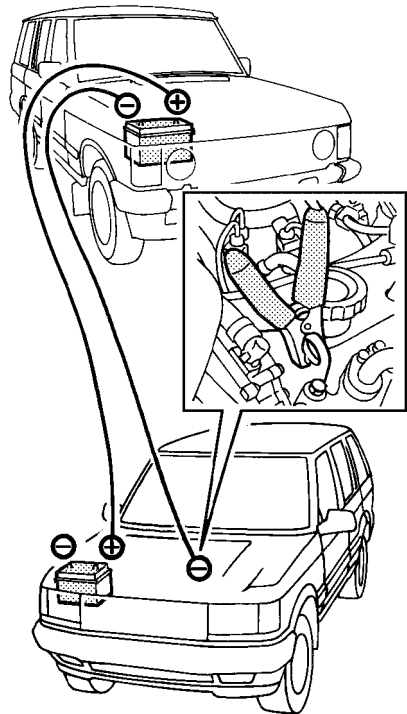
- **DO NOT connect the BLACK cable to the negative terminal of the discharged battery - if in doubt, seek qualified assistance.**

Check that the booster cables are clear of any moving parts in either engine, then start the engine of the donor vehicle and allow it to idle for a few minutes.

Now start the vehicle with the discharged battery. Once both engines are running normally, allow them to idle for two minutes before switching off the engine of the donor vehicle.

DO NOT switch on any electrical circuits on the previously disabled vehicle until AFTER the booster cables have been removed.

Disconnecting the booster cables must be an EXACT reversal of the procedure used to connect them, ie: disconnect the BLACK cable from the earth point on the disabled vehicle FIRST.



P0190B

Emergency starting

CONNECTING THE BOOSTER CABLES DIESEL ENGINES

Always adopt the following procedure, ensuring the cables are connected in the order shown below:

1. Connect one end of the RED booster cable to the positive (+) terminal of the donor battery.
2. Connect the other end of the RED booster cable to the positive (+) terminal of the discharged battery.
3. Connect one end of the BLACK booster cable to the negative (-) terminal of the DISCHARGED battery.
4. Connect the other end of the BLACK booster cable to the negative (-) terminal of the donor battery.

WARNING

For safety reasons:

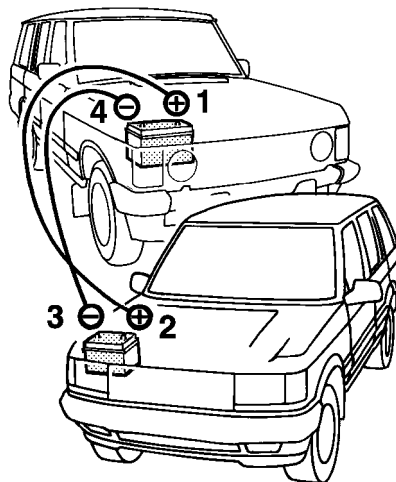
- **ALWAYS connect the BLACK cable to the donor battery LAST.**
- **ENSURE that each connection is securely made and that there is no risk of the clips accidentally slipping or being pulled from the battery terminals.**
- **BE AWARE that loose connections between cable clips and battery terminals could cause sparking, which could lead to explosion or fire.**

Check that the booster cables are clear of any moving parts in either engine, then start the engine of the donor vehicle and allow it to idle for a few minutes.

Now start the vehicle with the discharged battery. Once both engines are running normally, allow them to idle for two minutes before switching off the the donor vehicle engine.

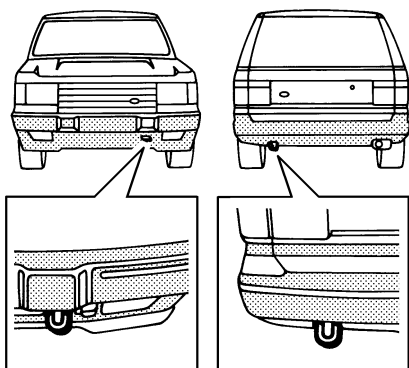
DO NOT switch on any electrical circuits on the previously disabled vehicle until AFTER the booster cables have been removed.

Disconnecting the booster cables must be an EXACT reversal of the procedure used to connect them, ie: disconnect the BLACK cable from the negative (-) terminal on the donor vehicle FIRST.



P0391A

Emergency towing



P0132

Front towing eye

Use **ONLY** when the vehicle is to be towed with **ALL** four wheels on the ground. (see 'Towing the vehicle on four-wheels').

Rear towing eye

Use **ONLY** when towing another vehicle.

WARNING

If transfer neutral has been selected, it is essential to remove fuse 11 and press the transfer 'Hi/Lo' switch (to re-select high or low range) before leaving the vehicle stationary.

Towing the vehicle on four-wheels

If it is necessary to recover the vehicle by towing on all four wheels, select transfer neutral as follows:

- With the starter key removed, insert a fuse (5 amps or greater) in fuse position 11 in the right hand seat fuse box. Insert key and turn the starter switch on; the transfer box will automatically select neutral (wait until the message centre displays 'TRANSFER NEUTRAL'), then turn the starter switch off.
- Turn the starter switch to position 'I' to unlock the steering and leave in this position while the vehicle is being towed.
- To re-engage HIGH or LOW range after towing, turn the starter switch off, remove the fuse from position 11, then turn the starter switch on and press the range change switch (manual gearbox) - the transfer box will engage the HIGH or LOW gear range.

NOTE: *If, due to an accident or electrical fault, it is considered unsafe to turn the starter switch, the battery must be disconnected.*

Emergency towing

IMPORTANT INFORMATION

DO NOT attempt to tow the vehicle unless the starter switch is turned to position 'I' (to unlock the steering).

DO NOT attempt to remove the starter key or turn the switch to position 'O' while the vehicle is in motion.

Without the engine running the power steering pump and brake servo cannot provide assistance. Greater effort will be required to operate the brake pedal and to turn the steering wheel and, therefore, safely control the vehicle.

Towing the vehicle on two-wheels

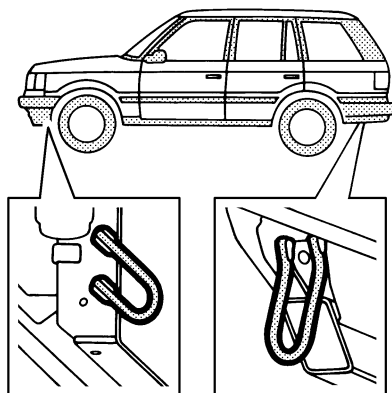
If it is necessary to recover the vehicle by towing on two wheels only, always adhere to the following:

Remove the propeller shaft from the axle which is to remain on the road.

The propeller shaft flange and shaft must be marked before removal to ensure correct re-assembly. Secure the suspended propeller shaft safely to prevent damage.

WARNING

If the rear axle is to be raised, the steering wheel and/or linkage MUST be secured in a straight ahead position, but the steering lock MUST NOT be used for this purpose. The vehicle can then be attached to the towing truck.



P0133

Transporter or trailer lashing

If your vehicle should require transporting on the back of a truck, then the air suspension must be set to 'ACCESS' before being lashed (see '*Electronic air suspension*'). Use the rings on the front and rear cross-members as lashing points (see illustration). DO NOT secure lashing hooks or trailer fixings to any other part of the vehicle.

If the air suspension cannot be set to the 'ACCESS' position, then your vehicle must be lashed by its wheels and NOT by the lashing rings referred to above.

SECTION 4

Owner maintenance

The long-term safety, reliability and performance of your vehicle will depend very largely on how it is maintained.

Maintenance is the owner's responsibility and it is ESSENTIAL that all routine services are carried out at the specified intervals. These are shown in the Service Portfolio book included in the literature pack. The Service Portfolio book also includes service record docketts, which must be correctly endorsed by your Land Rover dealer at the conclusion of each service.

This section of the handbook includes information to assist the owner carry out those daily, weekly and monthly checks that are also necessary to ensure safe, reliable motoring.

Section Contents	Page
Owner maintenance	135
Safety in the garage	137
Bonnet opening	138
Engine compartment	139
Tyres	147
Washer jet & wiper blades	149
Battery	151
Wheel changing	155
Fuses	162
Bulb replacement	166
Cleaning & vehicle care	174

Owner maintenance

OWNER MAINTENANCE

In addition to the routine services, which should be carried out according to the manufacturer's recommendations at the intervals shown in the Service Portfolio book, a number of simple checks (listed below) must be carried out by the owner or driver on a regular basis. These are fully described on the pages that follow.

Daily checks

- Operation of lights, horn, direction indicators, wipers, washers and warning lights.
- Operation of seat belts and brakes.
- Look for deposits on the garage floor which may indicate a fluid leak.

Weekly checks

These should be carried out at least every 400 km.

- Engine oil level.
- Cooling system level.
- Screen washer reservoir level.
- Condition and pressure of tyres.

Monthly checks

- Brake fluid level.
- Power steering fluid level.

NOTE: Any significant or sudden drop in fluid levels, or uneven tyre wear should be reported to your dealer without delay.

The fluid level on manual gearboxes should only be checked by a Land Rover dealer at the time of a routine service.

All fluid specifications and capacities are shown in 'General data'.

IMPORTANT INFORMATION
<p>Special operating conditions</p> <p>When a vehicle is operated in extremely arduous conditions or on dusty, wet or muddy terrain, more frequent attention must be paid to servicing requirements.</p> <p>For example; if your vehicle experiences deep wading conditions, even DAILY servicing could be necessary to ensure the continued safe and reliable operation of the vehicle.</p> <p>Contact a Land Rover dealer for advice.</p>

Owner maintenance

Planned maintenance

Regular systematic maintenance is the key to ensuring the continued reliability and efficiency of your vehicle.

The routine maintenance requirements for your vehicle are shown in the Service Portfolio book. Most of this necessary workshop maintenance requires specialised knowledge and equipment, and should preferably be entrusted to your Land Rover dealer.

Emission control

Your vehicle is fitted with various items of emission and evaporative control equipment designed to meet specific territorial requirements.

You should be aware that unauthorised replacement, modification or tampering with this equipment by an owner or repair shop may be unlawful and subject to legal penalties.

In addition, engine settings must not be tampered with. These have been established to ensure that your vehicle complies with stringent exhaust emission regulations. Incorrect engine settings may adversely affect exhaust emissions, engine performance and fuel consumption, as well as causing high temperatures, which will result in damage to the catalytic converter and the vehicle.

WARNING

Under no circumstances should any part of the fuel system be dismantled or replaced by anyone other than a suitably qualified motor vehicle technician. Failure to comply with this instruction may result in fuel spillage with a consequent serious risk of fire.

Road testing on dynamometers (‘rolling roads’)

WARNING

Because your vehicle is equipped with anti-lock brakes and permanent four-wheel drive, it is essential that any dynamometer testing is carried out ONLY by a qualified person familiar with the dynamometer testing and safety procedures practiced by Land Rover dealers. Contact your Land Rover dealer for further information.

Steering

The intermediate steering shaft connecting the steering column to the steering box is designed to disconnect under certain crash conditions. This is a critical safety feature and any servicing, replacement or repair must ONLY be carried out by an authorised dealer using approved Land Rover parts.

Examination of the intermediate shaft every 24,000 miles (40,000 km) or two years is an important part of the vehicle’s servicing schedule. However, you should be aware that a more thorough examination MUST be carried out if the vehicle is involved in a frontal collision.

Under no circumstances should any form of oil, grease or lubricant be applied to any part of the steering column at any time; any noise or roughness of operation should be reported to your dealer.

Owner maintenance

SAFETY IN THE GARAGE

Whenever you carry out maintenance on your vehicle, the following safety precautions should be observed at all times:

- ALWAYS keep hands, tools and items of clothing clear of all drive belts and pulleys.
- DO NOT touch the exhaust or cooling system components until they are cool.
- DO NOT touch electrical leads or components with the starter switch turned on.
- NEVER leave the engine running in an unventilated area; exhaust gases contain carbon monoxide which can cause unconsciousness and may even be fatal.
- DO NOT work beneath the vehicle with a vehicle lifting jack as the only means of support.
- ENSURE sparks and naked lights are kept away from the engine compartment.

WARNING

Remember; cooling fans may continue to operate after the engine is switched off. Always wait until the fans have completely stopped moving before working in the engine compartment.

Poisonous liquids

Most liquids and lubricants used in motor vehicles are poisonous and should not be consumed or brought into contact with open wounds. These include: battery acid, anti-freeze, brake, clutch and power steering fluids, as well as petrol, diesel, oil and windscreen washer additives.

For your own safety, ALWAYS read and obey all instructions printed on labels and containers.

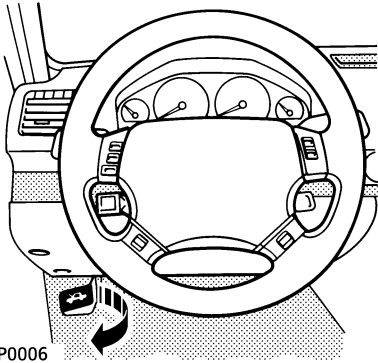
Used engine oil

Prolonged contact with engine oil may cause serious skin disorders, including dermatitis and cancer of the skin. ALWAYS wash thoroughly after contact.

It is illegal to pollute drains, water courses or soil with toxic chemicals such as used engine oil. ALWAYS dispose of vehicle fluids and lubricants at authorised waste disposal sites or at garages which provide facilities for the receipt of discharged batteries, used oil and toxic chemicals. If in doubt contact your Local Authority for advice.

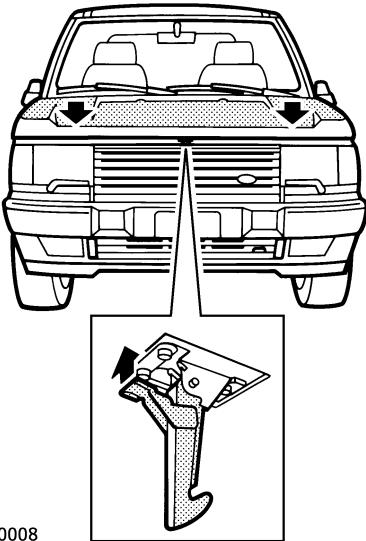
PROTECT THE ENVIRONMENT!

Bonnet opening

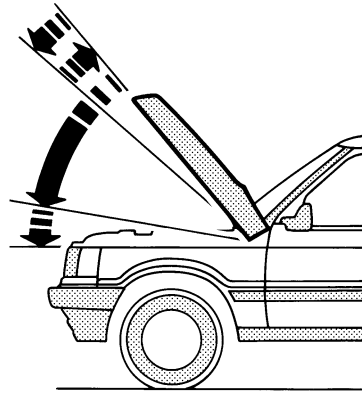


OPENING THE BONNET

Pull the bonnet release lever.



Lift the bonnet safety catch and raise the bonnet.

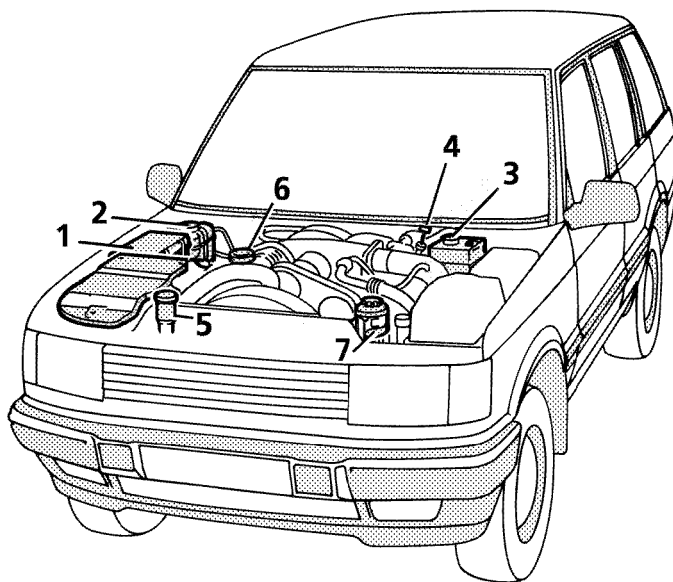


Closing the bonnet

Lower the bonnet slightly until a stop is felt. Then lift the bonnet up (to release the locking strut) before lowering fully.

When the bonnet is approximately 300 mm from its closed position, push down **CAREFULLY**, using the palms of both hands positioned on the leading edge of the bonnet on either side of the radiator grill (where shown in illustration). Check that the locks are **FULLY** engaged by attempting to lift the front edge of the bonnet, which should be free from all movement.

Engine compartment



P0004A

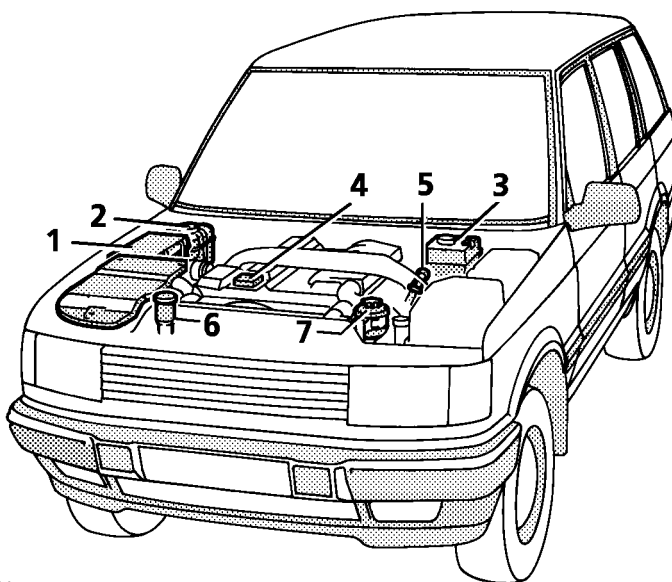
Petrol engines

1. Fusebox - engine compartment
2. Cooling system reservoir
3. Brake fluid reservoir
4. Engine oil dipstick
5. Washer reservoir
6. Engine oil filler cap
7. Power steering reservoir

WARNING

Before carrying out maintenance checks or working in the engine compartment, ALWAYS observe the safety precautions listed under 'Safety in the garage', at the beginning of the Owner maintenance section of this handbook.

Engine compartment



P0382A

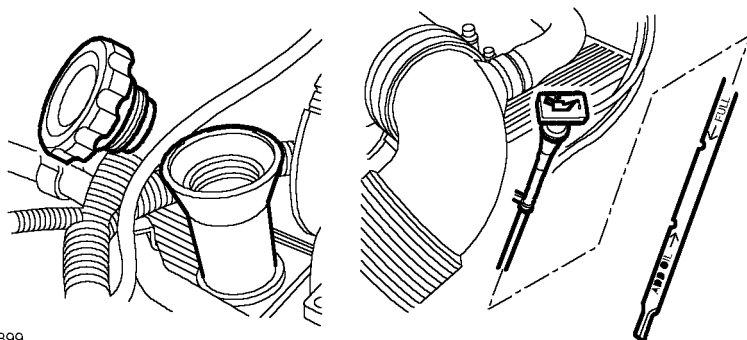
Diesel engines

1. Fusebox - engine compartment
2. Cooling system reservoir
3. Brake and clutch fluid reservoir
4. Engine oil filler cap
5. Engine oil dipstick
6. Washer reservoir
7. Power steering reservoir

WARNING

Before carrying out maintenance checks or working in the engine compartment, ALWAYS observe the safety precautions listed under 'Safety in the garage', at the beginning of the Owner maintenance section of this handbook.

Engine compartment



P0399

Petrol engine

ENGINE OIL LEVEL CHECK & TOP-UP

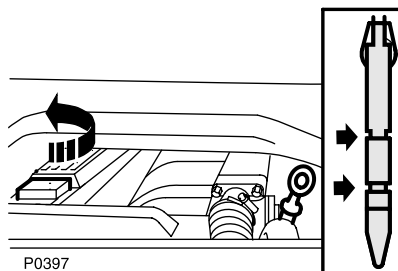
Check the oil level at least every 400 km when the engine is COLD and with the vehicle resting on level ground, as follows:

1. Withdraw the dipstick and wipe the blade clean.
2. Fully reinsert the dipstick and withdraw again to check the level, which should NEVER be allowed to fall below the lower mark on the dipstick.
3. To top-up, unscrew the oil filler cap and add oil to maintain the level between the UPPER and LOWER marks on the dipstick.

DO NOT OVERFILL!

As a general guide, if the level on the dipstick:

- is nearer to the upper mark than the lower, add no oil.
- is nearer to the lower mark than the upper, add half a litre of oil.
- is below the lower mark, add one litre of oil and re-check the level after a further five minutes.



P0397

Diesel engine

NOTE: If it is necessary to check the oil level when the engine is hot, switch off the engine and let the vehicle stand for five minutes to allow the oil to drain back into the sump. Then follow the procedure already described.

Oil Specification

It is essential to use an oil suitable for the climatic conditions in which the vehicle is to be operated. Precise specifications are shown in 'General data'. If in doubt, contact your Land Rover dealer.

Engine compartment

COOLING SYSTEM TOP-UP

WARNING

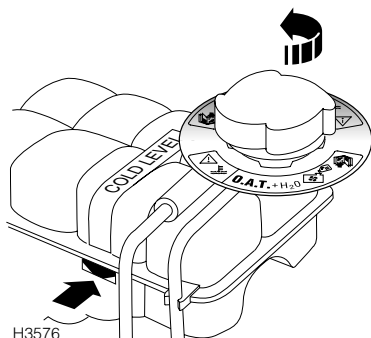
NEVER remove the filler cap when the engine is hot; escaping steam or scalding water could cause serious personal injury.

The coolant level in the expansion tank should be checked at least weekly (more often in high mileage or arduous operating conditions). Always check the level **WHEN THE SYSTEM IS COLD**.

Unscrew the filler cap slowly, allowing the air pressure to escape, before removing completely.

NEVER run the engine without coolant.

Take care not to spill anti-freeze onto a hot engine, a fire may result.



Top-up to the arrowhead (next to the seam) on the side of the tank with a 50% mixture of anti-freeze and water. Ensure the cap is tightened fully after top-up is completed.

If the level has fallen appreciably, suspect leakage or overheating and arrange for your dealer to examine the vehicle.

DO NOT OVERFILL!

Anti-freeze

Anti-freeze contains important corrosion inhibitors. The anti-freeze/water solution must be maintained at 50% \pm 5% all year round (not just in cold conditions). If the anti-freeze content is allowed to exceed 55%, or reduces to less than 45%, then either the cooling performance or anti-corrosion properties of the coolant will be adversely affected.

Use **ONLY** a 50% mix of water and Havoline Extended Life Coolant (XLC) or any ethylene glycol based anti-freeze (containing no methanol) with only Organic Acid Technology (OAT) corrosion inhibitors.

In an emergency (and only if this type of anti-freeze is unavailable) top-up the cooling system with clean water, but be aware of the resultant reduction in frost protection. **DO NOT** top-up or refill with conventional anti-freeze formulations. If in doubt, consult a Land Rover dealer.

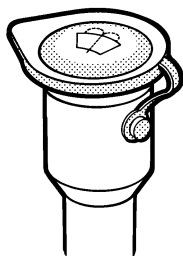
Engine compartment

The specific gravity of a 50% anti-freeze solution at 20° C (68° F) is 1.075 and protects against frost down to -36° C (-33° F).

WARNING

- ***Prevent anti-freeze coming in contact with the skin or eyes. If this occurs, rinse immediately with copious amounts of water.***
 - ***Anti-freeze is poisonous and can be fatal if swallowed. If swallowing is suspected, seek medical advice immediately.***
 - ***Anti-freeze will damage painted surfaces.***
 - ***NEVER top up with salt water. Even when travelling in territories where the water supply contains salt, always ensure you carry a supply of fresh (rain or distilled) water.***
-

Engine compartment



P0015

WINDSCREEN WASHER TOP-UP

The windscreen washer reservoir also supplies the rear screen and headlight washer jets.

The message 'LOW SCREEN WASH' appears on the message centre whenever the washer is operated and the reservoir fluid level is low. To reset the message centre, top-up the reservoir **ONLY** when the starter switch is turned off.

Top-up with a mixture of water and a good quality, proprietary brand of screenwash. In cold weather, to prevent freezing, use the recommended quantity of screenwash shown in the table below to help disperse ice and snow.

Reservoir capacity: 6.0 litre			
-3° C	-6° C	-12° C	-18° C
600 ml	1200 ml	2400 ml	3000 ml

Preferably, mix the recommended quantities of water and screenwash in a separate container before topping-up the system, and always follow the instructions on the screenwash container.

WARNING

Some screenwash products are inflammable, particularly if high or undiluted concentrations are exposed to sparking. Do not allow screenwash to come into contact with naked flames or sources of ignition.

Body panels may suffer discoloration as a result of screenwash spillage. Take care to avoid spillage, particularly if an undiluted or high concentration of screenwash is being used. If spillage occurs, wash the affected area immediately with water.

Do not use an anti-freeze solution in the washer reservoir. Anti-freeze will damage painted surfaces.

Engine compartment

WARNING

Contact your dealer immediately if brake pedal travel is unusually long or if there is any appreciable drop in brake fluid level.

BRAKE FLUID CHECK

The fluid level will fall slightly during use as a result of brake pad wear, but should not be allowed to fall below the 'MIN' mark. Any substantial drop in fluid indicates a leak in the system, in which case the vehicle must NOT be driven and you should contact your dealer.

With the vehicle on level ground, check the fluid level at least every month (more frequently in high mileage or arduous operating conditions) as follows:

1. Turn the starter switch to position 'II' to activate the pump (brake warning light illuminates).
2. If the pump cannot be heard to operate, press the brake pedal several times.
3. Wait until the pump has stopped operating and the warning light has extinguished before checking the fluid level.

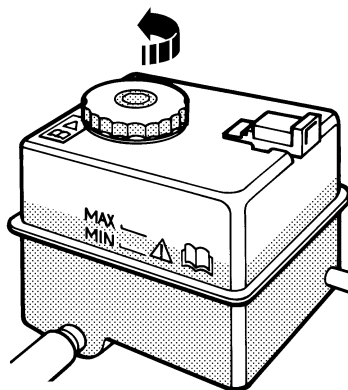
Topping-up

Wipe the filler cap before removing to prevent dirt from entering the reservoir, then top-up to the 'MAX' mark using a recommended fluid (see 'General data').

Use only new fluid from a sealed container (old fluid from opened containers or fluid previously bled from the system must NOT be used).

DO NOT OVERFILL!

NOTE: Vehicles with manual gearboxes use the same reservoir for brake and clutch.



P0013

WARNING

Brake fluid is highly toxic - keep containers out of the reach of children. If consumption of fluid is suspected, seek medical attention immediately.

DO NOT drive if the reservoir fluid level is below the 'MIN' mark.

Brake/clutch fluid will damage painted surfaces: soak up any spillage with an absorbant cloth immediately and wash the area with a mixture of car shampoo and water.

Take care not to spill fluid onto a hot engine - a fire may result.

If the fluid should come into contact with the skin or eyes, rinse immediately with plenty of fresh water.

Engine compartment

WARNING

It is vital that the hydraulic brake fluid is completely renewed at 60,000 km intervals or every 36 months, whichever is sooner.

At 120,000 km intervals or every 6 years, whichever is sooner, all hydraulic brake fluid, seals and flexible hoses should be renewed. All working surfaces of the caliper cylinders should be examined and the components renewed where necessary. Under arduous operating conditions, these intervals must be reduced. Please consult your Land Rover Dealer for advice.

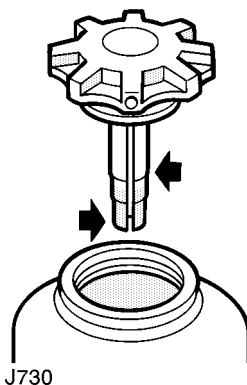
WARNING

Power steering fluid is highly toxic - keep containers sealed and out of the reach of children. If consumption of power steering fluid is suspected, seek medical attention immediately.

If power steering fluid should come into contact with the skin or eyes, rinse immediately with plenty of water.

Do not spill power steering fluid onto a hot engine - a fire may result.

Power steering fluid will damage painted surfaces: Soak up any spillage with an absorbent cloth immediately and wash the area with a mixture of car shampoo and water.



POWER STEERING TOP-UP

ONLY check the fluid level when the engine is switched off and the system is cold and ensure that the steering wheel is not turned after stopping the engine.

Wipe the filler cap to prevent dirt from entering the reservoir.

Remove the filler cap and, using a lint-free cloth, wipe the dipstick clean. Refit the filler cap fully and remove it again to check the fluid level. Add fluid to the reservoir until the level is between the upper mark and the bottom of the dipstick (see 'General data' for recommended fluid).

- DO NOT fill above the UPPER mark on the dipstick.

WARNING

The engine must NOT be started if the fluid level has dropped below the bottom of the dipstick - severe damage to the pump could result.

Tyres

WARNING

- ***Never drive your vehicle if the tyres are badly worn, cut or damaged, or if the pressures are incorrect.***
 - ***Incorrectly inflated tyres wear rapidly and seriously affect the vehicle's safety and road handling characteristics.***
-

Caring for your tyres

Always drive with consideration for the condition of the tyres and frequently inspect the tread and side walls for signs of distortion or damage (in particular, look for lumps, cuts and bulges).

Tyre pressures

Tyre pressures should be checked at least once a week with normal road use, but should be checked DAILY if the vehicle is used off-road.

Check the pressures, including the spare, when the tyres are cold (air pressure naturally increases in warm tyres). The recommended pressures are given in the 'General data' section.

WARNING

If the vehicle has been parked in strong sunlight or is used in high ambient temperatures, DO NOT reduce tyre pressures; instead, move the vehicle into shade and allow the tyres to cool before checking.

Tyre wear

Some tyres fitted as original equipment have wear indicators moulded into the tread pattern. When the tread has worn down to 1.6 mm the indicators start appearing on the surface of the tread pattern, producing the effect of a continuous band across the width of the tyre.

A tyre MUST be replaced as soon as an indicator band becomes visible or the tread depth reaches the minimum permitted by legislation.

Tread depth must be checked regularly (at every maintenance service, or more frequently). Always replace a tyre before the tread reaches a remaining depth of 1.6 mm. DO NOT drive with tyres worn to this limit; the safety of the vehicle and its occupants will be adversely affected.

NOTE: *After off-road use, check to make sure there are no lumps or bulges in the tyres or exposure of the ply or cord structure.*

Valve caps

Keep the valve caps screwed down firmly to prevent dirt from entering the valve.

Replacement tyres

Wheel rims and tyres are matched to suit the handling characteristics of the vehicle. For safety, ALWAYS check that replacement tyres comply with the manufacturer's original specification and that the load rating shown on the side wall is the same as that of the original equipment. Contact your Land Rover dealer for further information or assistance.

WARNING

Do not replace wheels with any type other than genuine Land Rover parts. Wheels and tyres are designed for both off-road and on-road use and have a very important influence upon the correct operation of the suspension systems and vehicle handling. Alternative wheels which do not meet original equipment specifications should not be fitted.

NOTE: Tyre sizes and pressure are shown in 'General data'.

Snow chains

Snow chains are designed for on-road use in extreme snow conditions only, and are not recommended for off-road use. It is recommended that only Land Rover approved snow chains are fitted and that the following recommendations are always observed:

- Only Land Rover approved snow chains can be fitted to the front wheels.
- Only fit snow chains in pairs.
- Always adhere to the snow chain fitting and retensioning instructions and the speed limit recommendations for varying road conditions. Never exceed 50 km/h.
- Avoid tyre damage by removing snow chains as soon as the road is free of snow.
- If only non-approved snow chains are available, they MUST only be fitted to the REAR wheels.

For more information or assistance, consult your Land Rover dealer.

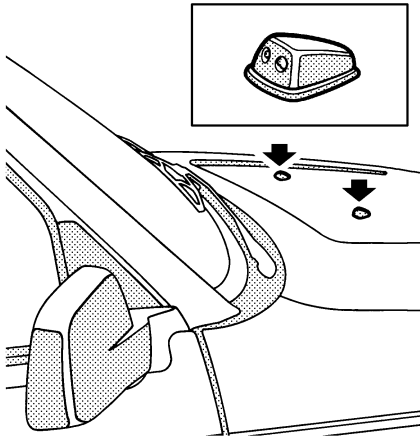
WARNING

DO NOT fit non-approved snow chains to the FRONT wheels - this could damage brake components.

When fitting snow chains, always take care to avoid any possible damage to alloy wheels.

NOTE: If a full set of four chains is to be used, they MUST be Land Rover approved.

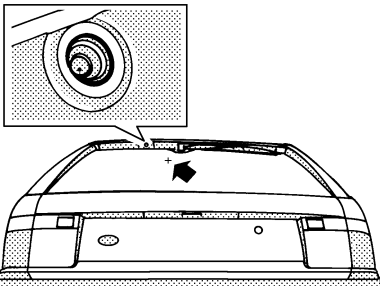
Washer jets & wiper blades



P0188

WASHER JETS

To adjust the front screen washer jets, insert a needle into the jet orifice and lever gently to position each jet so that the spray is directed at two points midway between the top and bottom of the windscreen.



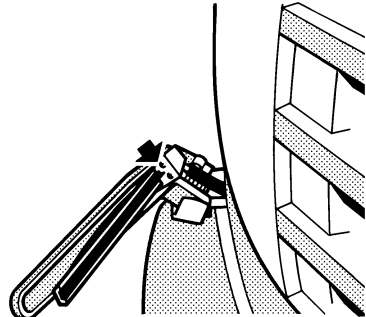
P0189

To adjust the rear screen washer jet, insert a long needle-like probe into the jet orifice and lever gently to position the jet so that the spray is directed towards the cross symbol on the screen.

HEADLIGHT WIPERS

(if fitted)

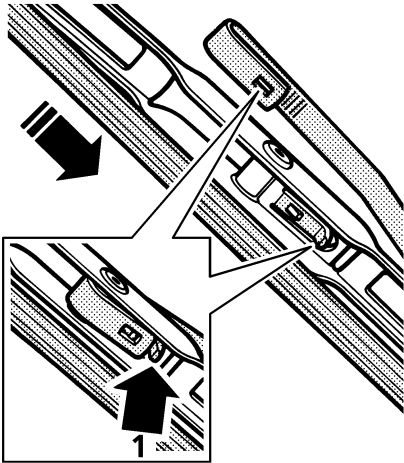
Each headlight wiper arm has two jets (arrowed in illustration) which direct wash fluid on to the headlight lens as the wiper arm passes over it. These jets are set during manufacture and must NOT be adjusted.



P0016

Should any jet become obstructed, insert a needle or a strand of wire into the orifice to clear it.

Washer jets & wiper blades



P0210

FRONT WIPER BLADE REPLACEMENT

To renew a wiper blade, lift the wiper arm away from the windscreen, press the retaining clip (1) and slide the wiper blade down the arm to remove.

Locate the new blade assembly on the arm and push into engagement until the blade is retained by the clip.

Always fit replacement wiper blades that are identical to the original specification.

REAR WIPER BLADE REPLACEMENT

The rear wiper arm is inaccessible in its stowed position (under a cover at the top of the tailgate). To change the wiper blade, it is necessary to stop the wiper arm during its travel as follows:

Set the rear screen wiper operating, then open the upper tailgate when the wiper is in a near-vertical position. The wiper will stop as soon as the tailgate is opened.

Turn the starter switch to the '0' position to prevent the wiper from operating, lower the upper tailgate and then replace the wiper blade (as described for front wiper blade overleaf). The wiper will continue operating as soon as the starter switch is returned to position '1'.

Battery

WARNING

Batteries contain acid, which is both corrosive and poisonous. If spillage occurs:

- **On clothing or the skin - remove any contaminated clothing immediately, flush the skin with large amounts of water, and seek medical attention urgently.**
- **In the eyes - flush with clean water immediately for at least 15 minutes. Seek medical attention urgently.**

Swallowing battery acid can be fatal unless IMMEDIATE action is taken - seek medical attention urgently.

During normal operation batteries emit explosive hydrogen gas - ensure sparks and naked lights are kept away from the engine compartment.

For your safety remove all metal wrist bands and jewellery before working in the engine compartment and NEVER allow the battery terminals or vehicle leads to make contact with tools or metal parts of the vehicle.

Battery maintenance

The battery is designed to be maintenance free, so topping-up is unnecessary. On the top of the battery there is a battery condition indicator (arrowed in illustration). Examine the indicator periodically to check the battery's condition. When the indicator shows:

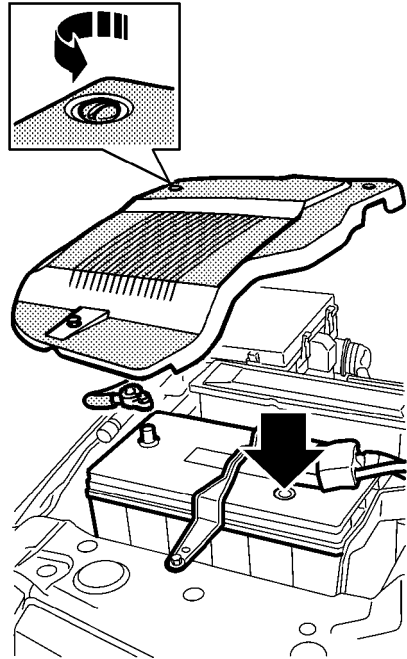
- GREEN - the battery is in a good state of charge.
- DARK (turning to black) - the battery needs charging.
- CLEAR (or light yellow) - the battery must

be replaced. Do not charge the battery or jump start the car in this condition.

- If the green dot is missing, the battery needs charging.

NOTE: When checking the battery condition indicator, if necessary, clean the battery top to ensure a clear view.

If the indicator shows clear or yellow, tap the indicator with the handle of a screwdriver to disperse any air bubbles. If the colour is unchanged, the battery must be replaced.



P0193C

Battery

Battery removal & replacement

Turn the three turnbuckles anti-clockwise to release the battery cover and switch off all electrical equipment.

Your vehicle may be fitted with a battery backed-up siren, which operates as an anti-theft siren if the main battery is disconnected. If the main vehicle battery is to be removed, it is ESSENTIAL to adopt the following procedure before disconnecting the terminals, in order to prevent the alarm from sounding:

1. Turn starter switch 'on' and then 'off' and then remove the key from the vehicle.
2. Disconnect battery WITHIN 17 SECONDS (if the battery is not disconnected within 17 seconds, the alarm will sound).

ALWAYS disconnect the negative (-) cable first and then the positive (+) cable. When reconnecting, connect the positive cable first and then the negative cable. Do not allow the battery terminals to make contact with metal parts of the vehicle.

To release the battery from the car, undo the nuts securing the battery clamping plate and remove the clamping plate.

When replacing, ensure the battery is fitted the right way round (positive terminal towards the centre of the vehicle) and that the clamping plate is secure. Tighten the clamping plate nuts until the clamping plate is free from movement, but do not overtighten.

If the siren sounds when the battery is reconnected, it can NOT be turned off in the normal way (ie. by operating the handset buttons). To deactivate the alarm, turn the starter switch to position '1'.

Replacement batteries

Only fit a replacement battery of the same type and specification as the original - other batteries may vary in size or have different terminal positions which could cause a fire hazard when connected to the vehicle's electrical system.

Battery disposal

Used batteries should be recycled. However, batteries are hazardous - you should seek advice about disposal from a Land Rover dealer or your local authority.

WARNING

- ***Do not reverse the polarity of the battery - the electrical system may be damaged if the battery leads are connected to the wrong terminals.***
 - ***Keep the battery upright at all times - damage will be caused if the battery is tilted more than 45 degrees.***
 - ***DO NOT run the engine with the battery disconnected, or disconnect the battery while the engine is running.***
-

Battery

BATTERY CHARGING

Batteries generate explosive gases, contain corrosive acid and produce levels of electric current sufficient to cause serious injury. While charging always heed the following precautions:

- Before charging, disconnect and remove the battery from the vehicle - charging the battery with the cables connected may damage the car's electrical system.
- Make sure the battery charger leads are securely clamped to the battery terminals BEFORE switching on the battery charger. Do not move the leads once the charger is switched on.
- While charging, shield your eyes or avoid leaning over the battery and keep the area around the top of the battery well ventilated.
- Do not allow naked lights near the battery (batteries generate inflammable hydrogen during and after charging).
- The battery will be charged sufficiently once the battery condition indicator shows GREEN. When charging is finished, switch off the battery charger BEFORE disconnecting the leads from the battery terminals.
- After charging, leave the battery for an hour BEFORE reconnection to the vehicle - this will allow time for explosive gases to disperse, thereby minimising the risk of fire or explosion.

NOTE: Be aware that a battery will take longer to charge in a cold environment.

WARNING

DO NOT charge the battery if it is connected to the car - this may seriously damage the electrical system.

DO NOT attempt to charge the battery if the battery condition indicator is clear or light yellow.

DO NOT charge the battery if it is suspected of being frozen.

EFFECTS OF BATTERY DISCONNECTION

Following disconnection and reconnection of the battery, a number of the vehicle's electronic control systems will fail to operate. These are listed below, together with the symptoms and action you should take to restore full operation. References are made to the appropriate section in this handbook for remedial action.

Radio/cassette & CD player

The unit will fail to operate. To restore operation, re-enter the security code (see '*In-car entertainment*').

Windows & sunroof

Operation of the windows and the sunroof will be accompanied by messages from the message centre to inform you that the 'one-touch' and 'anti-trap' functions are not set. (see '*Electric windows*' and '*Sunroof*').

Trip computer

(where fitted)

All data entered will be lost. Reset as described in '*Trip computer*'.

Trip odometer (trip 1)

This resets to zero.

Handsets

Both handsets will require to be resynchronised to the vehicle (see '*Locks & alarm*').

Wheel changing

WARNING

To prevent personal injury, before jacking the vehicle the air suspension system must be 'frozen' - this will prevent the suspension from self-levelling or the ride height from changing while the vehicle is supported by the wheel changing jack.

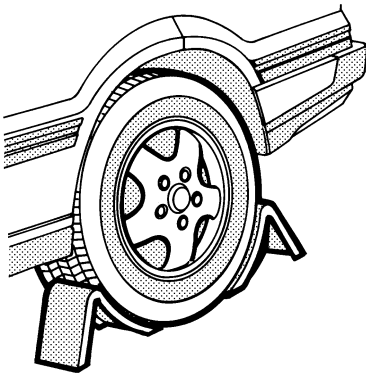
WARNING

Before raising the vehicle, it is ESSENTIAL to chock one of the road wheels; the handbrake acts on the transmission, not on the rear wheels, and therefore may not hold the vehicle when raised.

To freeze the suspension:

1. Before freezing the suspension, ensure that either Standard or High ride height are engaged - this will provide sufficient space beneath the vehicle to locate and operate the jack.
2. Open the tailgate
3. Switch on the hazard warning lights

The hazard warning lights MUST remain flashing and the tailgate open THROUGHOUT THE WHOLE wheel changing process.



Using the wheel chocks

If possible, position the vehicles on level ground, chocking both sides of the wheel diagonally opposite the one to be removed.

If jacking the vehicle on a slope is unavoidable, place the chocks on the downhill side of the two opposite wheels.

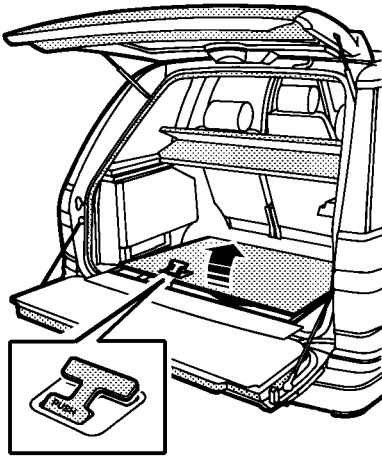
The wheel chocks are stowed with the jack, jack lever, wheel brace and steel spare wheel beneath the loadspace floor.

IMPORTANT INFORMATION

Before jacking the vehicle always observe the following precautions!

- Park your vehicle away from the thoroughfare, and make your passengers wait in a safe area AWAY from the vehicle.
- Apply the handbrake and engage first gear (select 'P' for automatic gearboxes) in Low or High range.
- Ensure the air suspension system is frozen, and remove the starter key.
- NEVER jack the vehicle with passengers inside, or with a caravan or trailer connected!
- NEVER work beneath the vehicle with the jack as the only means of support. The jack is designed for wheel changing only!

Wheel changing



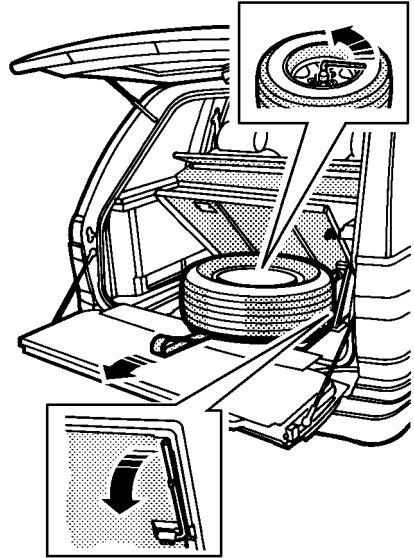
P0078A

Removing the spare wheel

Fully open the tailgate and hinge the rear portion of the parcel shelf forward.

Unlatch and raise the loadspace floor panel and then secure the panel in a raised position by engaging the stay (as shown).

Using the wheel brace, remove the spare wheel retaining nut. Pull the loop of the webbing rearward; the wheel will be raised up and lifted onto the rear tailgate.

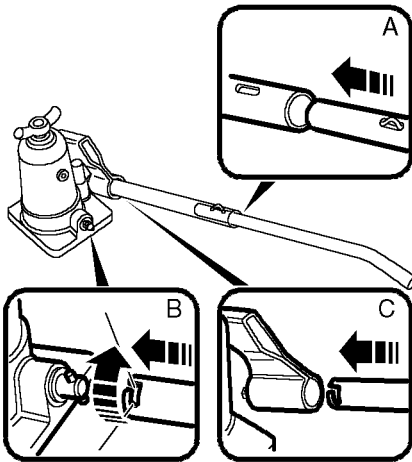


P0079A

WARNING

The wheels are extremely heavy. Take care when lifting and particularly when removing the spare wheel from the loadspace.

Wheel changing



P0400

Operating the jack

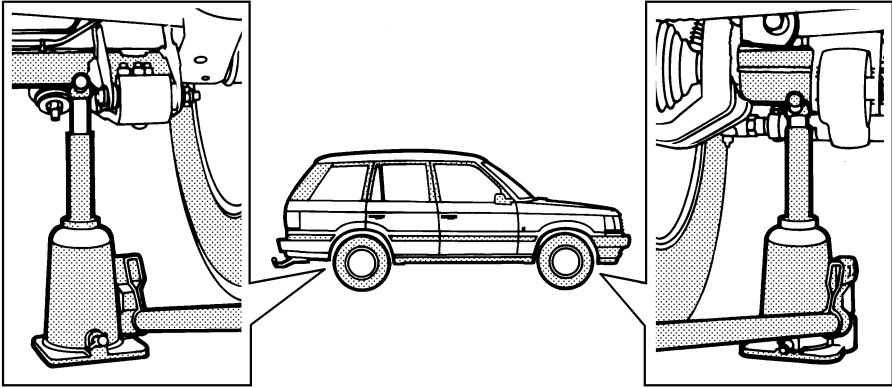
Slot the two parts of the jack lever together, ensuring that the spring clip protrudes from the engagement slot where the two parts join (see inset 'A'). Close the jack release valve by using the notched end of the jack lever to turn the valve fully clockwise (see inset 'B'). Insert the lever into the socket as shown (inset 'C') and twist the lever to lock it into the socket. Pump the lever up and down to raise the jack.

To lower the jack, withdraw the lever and slot the notched end over the pegs on the release valve. Slowly turn the release valve anti-clockwise, allowing the weight of the vehicle to lower the jack.

WARNING

- **Ensure the jack is positioned on firm, level ground.**
 - **DO NOT use the jack to raise the vehicle until you have carefully read and understood 'Positioning the jack' later in this section. If in doubt, consult your dealer.**
 - **Care must be taken to avoid accidental contact with any underbody parts, especially the hot exhaust system components, likely to cause personal injury during raising or lowering of the vehicle.**
 - **Ensure that the space under and around the vehicle is free from obstruction as it is lowered.**
-

Wheel changing



P0082

Positioning the jack

Before positioning the jack, ensure that the air suspension system is frozen (key removed from starter switch, hazard lights switched on, and tailgate open). If the vehicle had previously settled to Low ride height (or Access), it will be necessary to improve access beneath the vehicle by starting the engine and raising the vehicle to Standard or High ride height before positioning the jack. Always position the jack from the front or rear of the vehicle directly in line with the jacking points.

WARNING

- **NEVER use the jack from the side of the vehicle.**
- **ALWAYS use the complete, two piece, jacking lever throughout to minimise any accidental contact with a hot exhaust system.**
- **ONLY jack the vehicle using the jack location points described or damage to the vehicle could occur.**

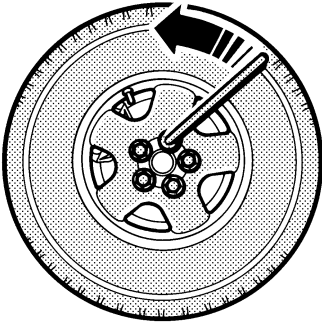
Rear jacking point:

Push the mud flap (if fitted) up over the tyre to allow clear access. Position the jack so that, when raised, it engages with the rear axle casing immediately below the air spring and as close as possible to the shock absorber mounting bracket (see illustration).

Front jacking point:

Position the jack so that, when raised, it will engage with the front axle casing immediately below the air spring (see illustration). The cradle of the jack must locate between the end of the axle and the point where the radius arm attaches to the axle (see illustration).

Wheel changing



P0142

Changing a wheel

Before raising the vehicle, ensure that all the precautions listed at the beginning of this section have been observed.

Also, ensure that the wheel chocks are correctly positioned (as described previously) and that the air suspension system is 'frozen' at Standard or High ride height.

WARNING

To prevent any accidental change in the ride height or automatic levelling of the suspension, the air suspension system must remain inhibited during the WHOLE wheel changing process - to achieve this, ALWAYS remove the key from the starter switch and ensure that the tailgate remains open and the hazard lights are operating throughout.

- Use the wheel brace to slacken the wheel nuts half a turn anti-clockwise (see 'Locking wheel nuts').
- Raise the vehicle until the tyre is clear of the ground and remove the wheel nuts and wheel (DO NOT damage the surface of alloy wheels by placing them face down on the road).
- Use an approved anti-seize compound to treat the wheel-mounting spigot to minimise the tendency for adhesion between the wheel and the spigot. Ensure that no oil or compound comes into contact with the brake components. If, due to an emergency situation, this treatment is not practicable; refit the spare wheel for the time being, but remove and treat the wheel at the earliest opportunity.
- Fit the spare wheel and lightly tighten the wheel nuts, ensuring they are firmly seated. DO NOT fully tighten whilst the tyre is clear of the ground.

WARNING

When fitting a wheel, ensure that the mating faces of the hub and wheel are clean and free from rust - an accumulation of dirt or rust could cause the wheel nuts to become loose and result in an accident.

Wheel changing

- Lower the vehicle and remove the jack and wheel chocks.
- Fully tighten the wheel nuts and replace the locking wheel nut cover. DO NOT OVERTIGHTEN by using foot pressure or extension bars on the wheel brace. Check the wheel nut torque at the earliest opportunity (see 'General data').
- REMEMBER to change to 'H' (high range) before driving.
- Finally, check the tyre pressure (see 'General data').

Care of the jack

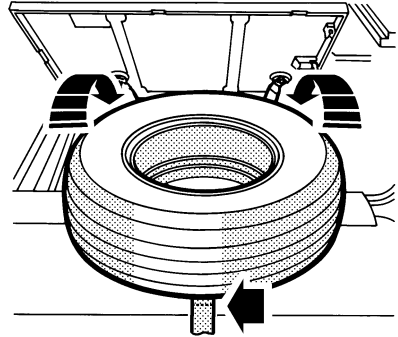
Examine the jack occasionally; clean and grease the moving parts, particularly the ram, to prevent corrosion.

To avoid contamination, the jack should always be stowed in its fully closed position.

Wheel centre cap

After fitting the spare wheel, it will be necessary to remove the centre cap from the replaced road wheel in order to stow the wheel in the spare wheel compartment.

Using a suitable blunt implement (the handle of a large screwdriver, for example) apply light pressure to the rear of the cap. Use hand pressure only to replace the cap.



P0165

Replacing the spare wheel

Preferably clean and dry the wheel before stowing it in the vehicle.

Lay the webbing flat across the lower tailgate and place the wheel face down with the rear edge of the tyre in line with the mark on the webbing.

Grasp the webbing loop, raise the wheel from the tailgate, and lower into position, then fit and tighten the wheel securing nut.

WARNING

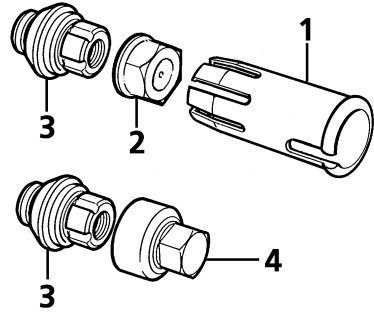
After wheel changing always secure tools, chocks, jack and spare wheel in their correct storage positions.

Wheel changing

LOCKING WHEEL NUTS

In some markets, vehicles are equipped with a locking wheel nut on each wheel (excluding the spare). The locking wheel nut covers are visually very similar to standard wheel nuts but can be identified by a concave indent on the surface. The locking wheel nut and cover can only be removed using the special tools provided, as follows:

- Push the extractor tool (1) firmly over the stainless steel nut cover (2).
- Pull the extractor tool **squarely** away from the wheel to remove the nut cover and reveal the locking wheel nut (3).
- Fit the metal key socket (4) securely over the locking wheel nut (3).
- Fit the wheel nut wrench onto the key socket and unscrew the nut in the normal way.



J723

A code letter is stamped on the face of the key socket. Ensure the code letter is entered in the space provided on your Security Information card - you will need to quote this letter if replacement components are required. Keep the card in a safe place away from the vehicle.

For security reasons, store the key socket and extractor tool in the glovebox and keep the glovebox locked.

NOTE: *If the extractor tool has been inadvertently pushed onto a standard wheel nut, it can be removed ONLY by first undoing and removing the nut; slide the wheel nut wrench down the centre of the extractor and onto the wheel nut.*

Fuses

Fuses are simple circuit breakers which protect electrical equipment by preventing the electrical circuits from being overloaded. Always remove the starter key and switch off the affected circuit before removing a fuse.

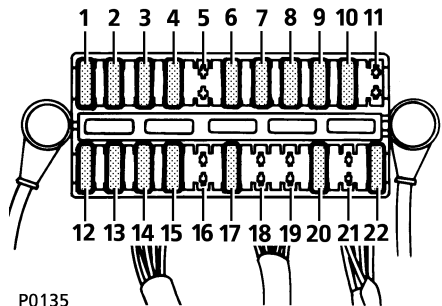
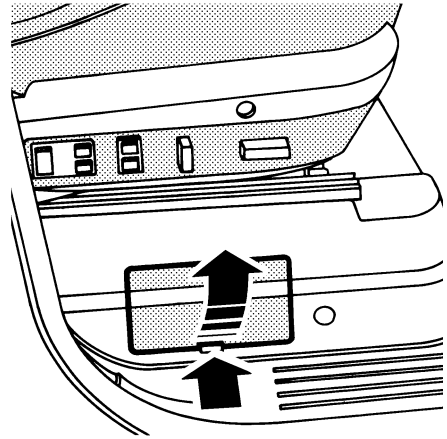
Press the fuse removal tweezers (located in the engine compartment fuse box) onto the head of the fuse and pull to remove. Fit a new fuse of the same rating. If the replacement fuse fails immediately, contact a qualified dealer and have the circuit checked.

Fuses are colour-coded to help identify their amperage, as follows:

VIOLET	3
TAN	5
BROWN	7.5
RED	10
BLUE	15
YELLOW	20
WHITE	25
GREEN	30

WARNING

Fit only replacement fuses of the same rating and type. Always rectify the cause of a failure before replacing a fuse. Seek qualified assistance if necessary.



RIGHT HAND SEAT FUSE BOX

The failure of fuses 2 to 22 inclusive is reported by the vehicle message centre.

Fuses 1 to 22 inclusive are located behind a cover on the side of the right hand seat.

Lift the catch (arrowed) to disengage the cover. A label on the rear of the cover identifies the fuses and their ratings. The following list supports the information on the cover.

NOTE: *The applicability of fuses will vary from model to model, depending on the features fitted to the vehicle.*

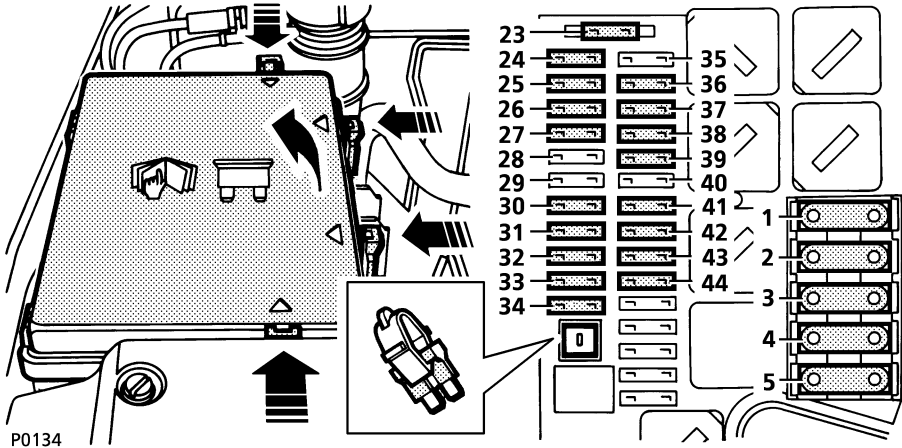
Fuses

RIGHT HAND SEAT FUSE BOX

Fuse number	Rating (AMPS)	Circuit protected
1	10A	Instrument pack, clock, radio, centre console, navigation unit
2	30A	RH rear window, seat heaters
3	5A	Automatic gearbox ECU
4	30A	Transfer box ECU
5	-	Not used
6	10A	Rear view mirror dip, sun visor illumination,
7	10A	Auto gearbox ECU, transfer box ECU, engine ECU
8	30A	Car phone, auxiliary power socket, cigar lighter, radio, heating, ventilation and air-conditioning, navigation unit
9	20A	Front audio system amplifiers, front doors
10	30A	RH seat
11	-	Not used (insert fuse - 5 amp or more - to select transfer neutral)
12	30A	Heated rear screen and LH rear window
13	20A	Shift interlock solenoid, sunroof
14	20A	Rear central door locking, fuel flap solenoid, trailer socket, tailgate central door locking
15	20A	Courtesy lights, handset receiver, loadspace light, rear wiper, sub-woofer, audio system amplifiers
16	-	Not used
17	10A	Brake switch
18	-	Not used
19	-	Not used
20	30A	LH seat
21	-	Not used
22	30A	LH and RH front doors (windows only)

This fuse box contains five spare fuses, one each of 5A, 10A, 20A, 30A and 40A.

Fuses



ENGINE COMPARTMENT FUSE BOX

WARNING

Batteries emit explosive hydrogen gas; ensure that sparks and naked lights are kept away from the engine compartment.

Fuses 23 to 44 inclusive, listed on the following page, are located in the engine compartment fuse box.

Press each of the four latches in the direction of the arrows (moulded into the lid) and pivot the lid upward to disengage the three side location posts.

A label on the underside of the cover identifies the fuses and their ratings. The following list supports the information on the cover.

A fuse puller (red tweezers) is provided for extracting the fuses. To remove a fuse, press the fuse puller on to the head of a fuse and pull.

Refit the cover by engaging the three side posts in the slots in the fuse box. Close the cover and then push the four side catches away from the fuse box until they can be heard to 'snap' into position.

Fuses

ENGINE COMPARTMENT FUSE BOX

Fuse number	Rating (AMPS)	Circuit protected
23	10A	Airbag SRS
24	5A	ABS
25	20A	Front wiper system, headlight washers
26	20A	Engine management system (EMS)
27	10A	Air conditioning compressor
28	30A	Ignition coils - petrol engines
	15A	Cooling fan - diesel engines
29	10A	Air suspension
30	30A	Heated front screen
31	30A	Air-conditioning
32	30A	Heated front screen
33	5A	Diagnostics, battery back-up sounder
34	30A	Heater blower
35	10A	Air conditioning, air suspension
36	30A	Air-conditioning
37	30A	Engine management system (EMS)
38	30A	ABS
39	20A	Fuel pump
40	40A	Starter motor, air suspension
41	20A	Horn
42	10A	Heating & ventilation, key inhibit
43	30A	Heater blower
44	30A	Engine management system (EMS)

Spare fuses 5A, 10A, 20A, 30A, 40A

Maxi 1	60A	*
Maxi 2	50A	Spare
Maxi 3	40A	ABS pump
Maxi 4	60A	*
Maxi 5	60A	*

* Failure of one of these fuses will result in the message centre displaying various messages simultaneously. Do not attempt to replace the fuse; contact a qualified dealer.

WARNING

Fit only replacement fuses of the same rating and type. Always rectify the cause of a failure before replacing a fuse. Seek qualified assistance if necessary.

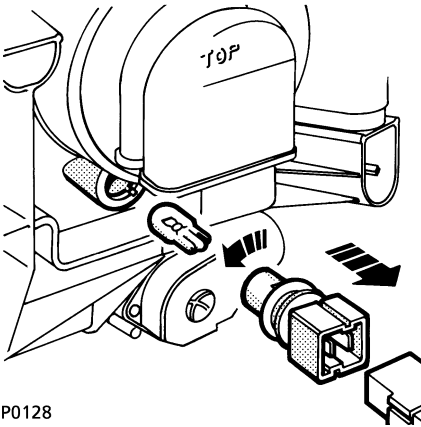
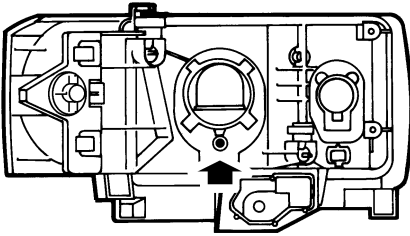
Bulb replacement

REPLACEMENT BULBS	Watts
Headlight units	
Front sidelight	5
Front direction indicator	21
Inboard main beam headlight	55
Dip/main headlight	60/55
Front fog lights	55
Rear clusters:	
direction indicator	21
tail light	5
stop light	21
Tailgate clusters:	
rear fog guard light	21
reversing light	21
High mounted stop light	5
Side repeater lights	5
Puddle lights	3
Number plate lights	5
Loadspace light	10
Front courtesy & reading lights:	
courtesy light	10
map reading light	5
Rear courtesy & reading lights:	
courtesy light	5
map reading light	4
Rear footwell courtesy lights	5
Vanity mirror lights	1.2
Glovebox light	5

NOTE: All bulbs must be rated at 12 volts.

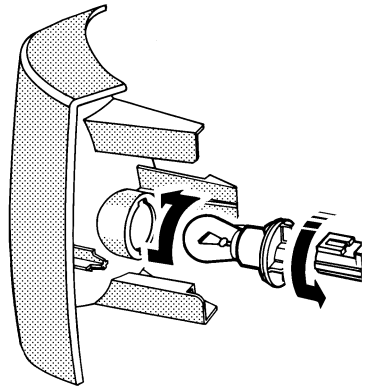
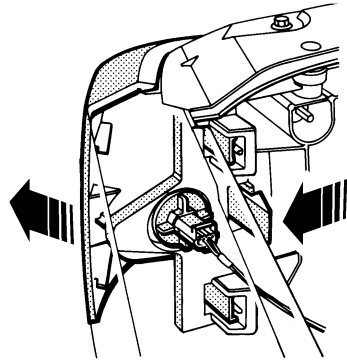
IMPORTANT INFORMATION
Before replacing a bulb, always switch off the starter switch and appropriate lighting switch to prevent any possibility of causing a short circuit. Only use new bulbs of the same type and with the same specification.
Halogen bulbs
Halogen bulbs are used for dipped/main, supplementary main beam and front fog lights. Take care NOT to touch this type of bulb with your fingers; always use a cloth to handle them. If necessary, clean the bulb with methylated spirits to remove fingerprints.

Bulb replacement



Front sidelights

Detach the plug from the rear of the bulb, twist the bulb holder (arrowed) to release, then pull to remove bulb.



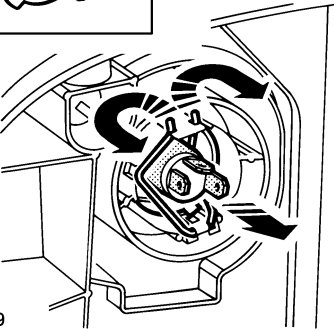
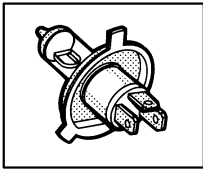
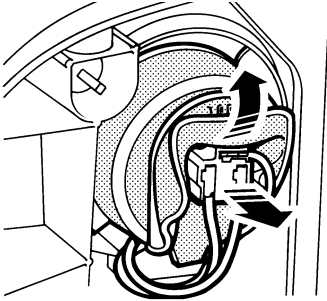
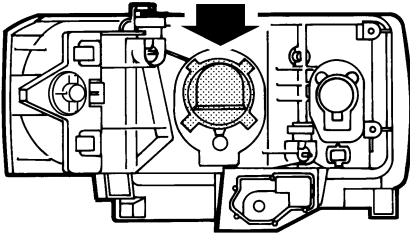
Front direction indicators

For right hand indicator: remove the battery cover.

For both indicators: press the plastic lever (arrowed in top picture) to release the light unit from the front of the vehicle. Hold the light unit and rotate the bulb holder (see lower picture), then pull bulb holder to remove. Press and twist bulb to remove.

Refitting the lens is a reversal of this procedure. However, ensure the light unit is correctly located into the front wing and ensure that the plastic lever is securely engaged before driving.

Bulb replacement



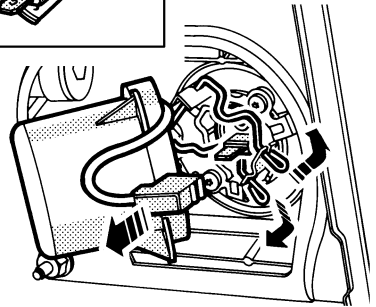
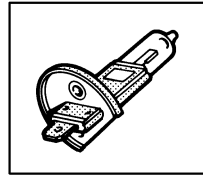
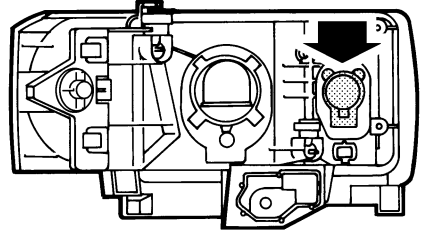
P0129

Dipped and main beam

To gain access to the right hand headlight, first remove the battery cover.

Detach the multi-plug and remove the rubber cover (the rubber cover has four tabs which will assist removal and refitting). Unhook the spring clip and withdraw the bulb.

Replace the bulb (the larger of the three tabs uppermost) and spring clip. Fit the rubber cover, ensuring that the three connectors pass through the slots in the cover, then refit the multi-plug.

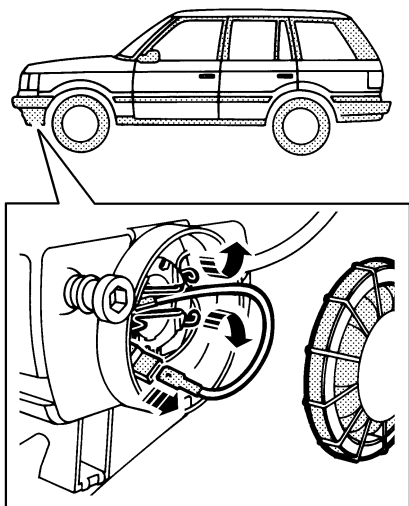


P0130

Inboard main beam

Detach the plastic cover from rear of unit, then unhook the spring clip and withdraw the bulb and connector. Pull bulb to remove.

Bulb replacement



P0136

Front fog lights

Twist the plastic cap at rear of the light unit to release, then squeeze the spring clip and withdraw the bulb holder. Disconnect the bulb holder electrical lead connector and then remove.

Replace the bulb and bulb holder as one assembly.

Stop, direction indicator & tail lights

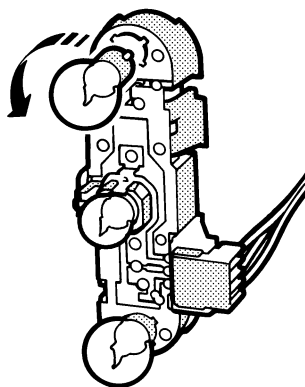
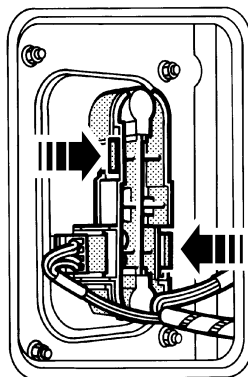
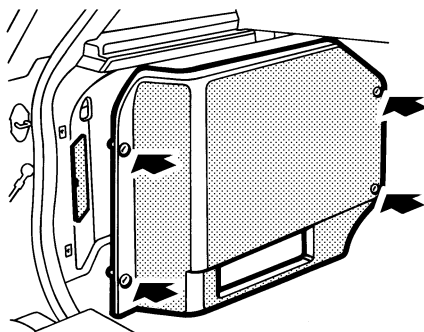
NOTE: If your vehicle is fitted with a CD autochanger, to access the left hand cluster, it will be necessary to remove the rear trim panel by releasing the four fasteners.

Press the latch to remove the access panel, then squeeze the two clips (one on each side of the light unit) and withdraw the unit through the access aperture. Press and twist the appropriate bulb to remove.

Top - direction indicator

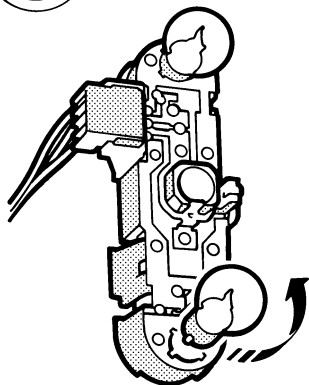
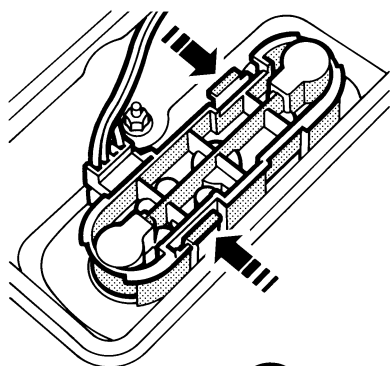
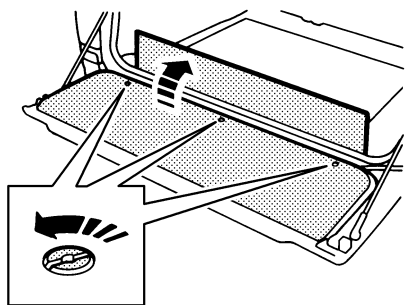
Centre - tail light

Bottom - stop light.



P0138

Bulb replacement



P0137

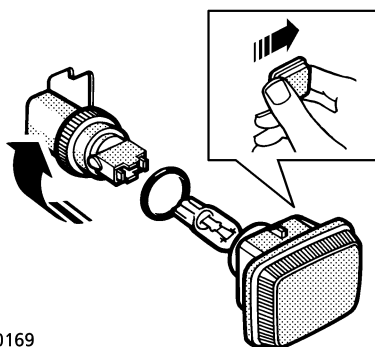
Reversing & fog guard lights

Open the tailgate and raise the plastic hinge cover on the lower tailgate to expose the three fasteners. Turn the fasteners a quarter turn to release and then remove the tailgate trim panel.

To release either light unit, squeeze the two levers (one on each side), then press and twist the appropriate bulb to remove.

Top - reversing light

Bottom - fog light.

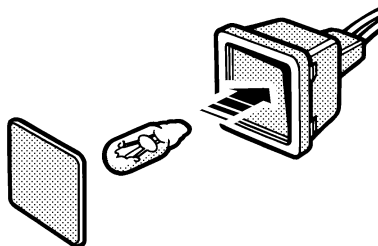


P0169

Side repeater lights

(if fitted)

Push the lens firmly to the right (arrowed) and withdraw light unit from the wing. Twist the bulb holder to release and pull out bulb.



P0139

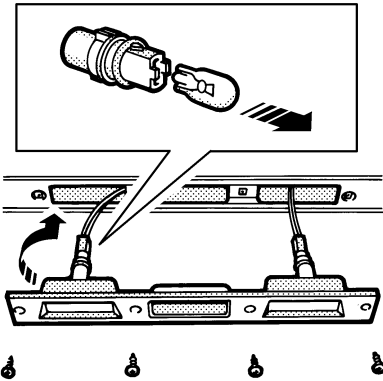
Puddle lights

(if fitted)

Using a plastic implement, prise the light unit from the door, pulling out as far as the electrical leads will permit, then prise the lens from the light unit. Pull the bulb from holder.

Fit lens to the light unit before refitting.

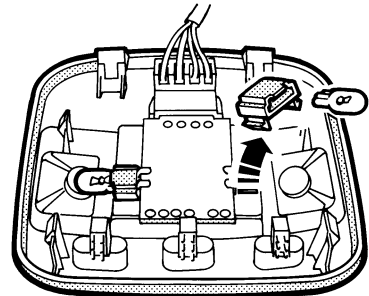
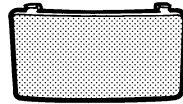
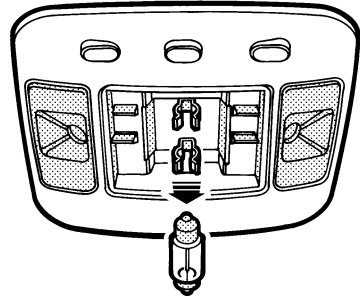
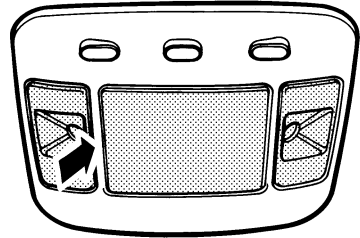
Bulb replacement



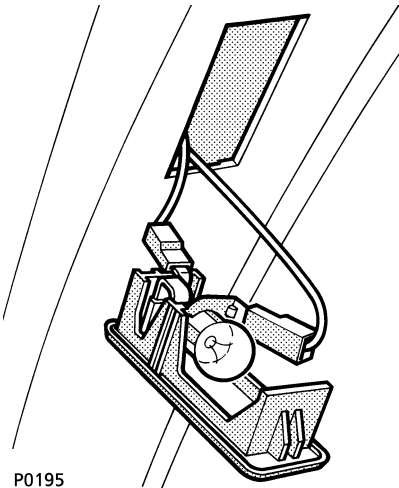
P0164

Number plate lights

Open the upper tailgate, remove the screws and withdraw the light unit. Twist bulb holders to remove and pull out the bulbs.



P0140



P0195

Loadspace light

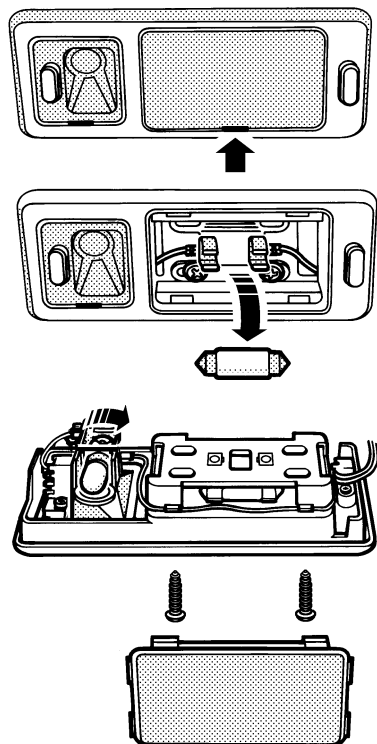
Push lamp assembly to one side and prise from the upper tailgate. Press and twist the bulb to release.

Front courtesy & reading lights

Courtesy light bulb: prise the centre lens from the light unit, then pull the bulb out from the clips.

Reading light bulbs: prise the courtesy light unit from the headlining, then pull the bulbs to remove.

Bulb replacement

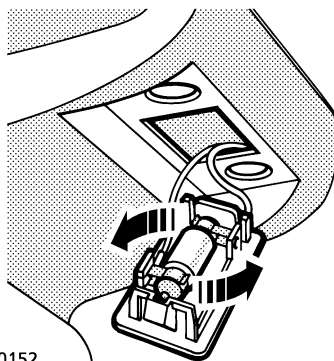


P0141

Rear courtesy & reading lights

Rear passenger courtesy light bulb: prise the lens from the courtesy light unit, then pull the bulb to remove.

Rear passenger reading light bulb: prise the lens from the courtesy light unit (as above). Unscrew both retaining screws and withdraw light unit from the roof. The bulb can be reached from the rear of the unit.

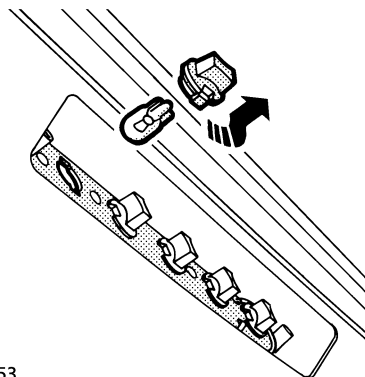


P0152

Rear footwell light

Prise the combined lens and holder assembly from the rear of the centre console and remove bulb from clips.

Replace the bulb then refit assembly to the centre console.



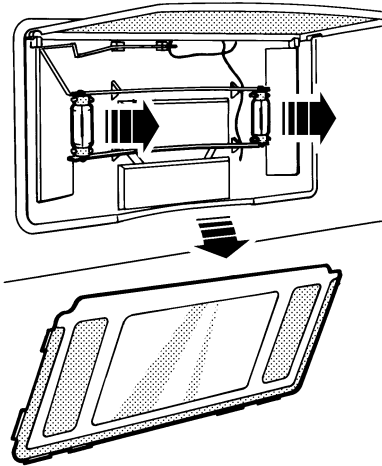
P0153

High mounted stop light

(if fitted)

Unclip the light cover from the inside of the upper tailgate. Twist to release the bulb holders, and pull to remove the bulbs.

Bulb replacement

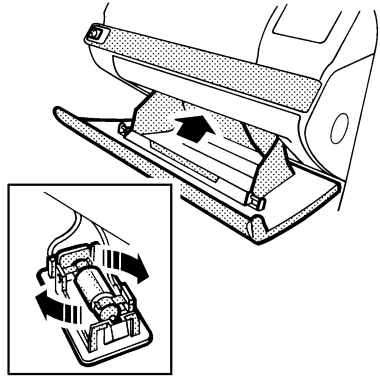


P0191

Vanity mirror illumination

Using a small, flat bladed screwdriver (at extreme top, left and right corners - just below the hinge), prise the lens and mirror panel from the light unit. 'Spring' the bulbs free from their connectors to remove.

Replace the bulbs then refit the lens and mirror panel to the sun visor.



P0259

Glovebox illumination

Prise the complete assembly from the underside of the top edge of the glovebox and remove the bulb from its holder.

Replace the bulb then refit assembly to the glovebox.

NOTE: *Glovebox illumination is available only when the side lights are on.*

Cleaning & vehicle care

WASHING YOUR VEHICLE

Wash your vehicle frequently using a clean, grit free sponge and generous quantities of cold or lukewarm water containing a car shampoo. Rinse and dry off with a chamois leather.

- Do not use hot water!
- Do not use detergent soap products or washing-up liquid!

During winter months when salt has been used on the roads, use a hose to wash the underside of the vehicle. Pay particular attention to wheelarches and panel seams, and to removing accumulations of mud.

Similarly, after off-road driving or wading in muddy or salt water conditions, use a hose to wash underbody components and other exposed parts of the vehicle.

When using a hose, do not direct the jet into the heater air intake ducts, or through the wheel trim apertures onto the brake components, or at the door, window or sunroof seals, where water pressure could penetrate the seals.

WARNING

Some high pressure cleaning systems are sufficiently powerful to penetrate door and window seals and damage rubbing strips and locking mechanisms. Never aim the water jet directly at heater air intakes, body and sunroof seals, or at any components that might easily be damaged.

Getting rid of tar spots

Use white spirit to remove tar spots and stubborn grease stains from the paintwork. Then wash immediately with soapy water to remove all traces of spirit.

Body protection

After washing, inspect the paintwork for damage. Treat paint chips and scratches with touch-up paint to prevent corrosion, and occasionally protect the paint surface with an application of car polish.

NOTE: *DO NOT apply car polish to the moulded bumpers - polish will become ingrained in the textured finish of the mouldings.*

Glass & mirrors

Clean the rear screen with a soft cloth to avoid damaging the heater elements. DO NOT scrape the glass or use an abrasive cleaning fluid.

Mirror glass is particularly susceptible to damage; DO NOT use abrasive cleaning compounds or metal scrapers.

Cleaning & vehicle care

LOOKING AFTER THE INTERIOR

Clean plastic-faced or cloth covered surfaces with diluted upholstery cleaner.

Leather seats, steering wheel and trim features should be cleaned with a damp cloth moistened with undiluted upholstery cleaner. Leave for five minutes, and then repeat the operation using a clean, cloth and water, but avoid flooding the area! Dry and polish the leather with a dry, clean, lint-free cloth.

DO NOT use petrol, detergents, furniture creams or polishes.

Instrument pack, clock & radio

Clean with a dry cloth. DO NOT use cleaning fluids or sprays.

Seat belts

Extend belts, then use warm water and a non-detergent soap to clean. Allow to dry naturally, and do not retract until completely dry.

Airbag SRS

To prevent airbag SRS damage, the airbag module covers, (steering wheel centre pad, front seat backs and area of the fascia panel containing the front passenger airbag) should ONLY be cleaned sparingly with a damp cloth and upholstery cleaner.

DO NOT allow these areas to be flooded with liquid, and DO NOT use petrol, detergent, furniture cream or polishes.

SECTION 5

General data

Section Contents	Page
General data	179
Lubricants & fluids	179
Capacities	181
Engines	182
Steering	183
Electrical system	183
Dimensions	183
Approach, departure & breakover angles	184
Weights	185
Towing weights	185
Fuel	186
Wheels & tyres	187

General data

Brake/clutch reservoir

Universal brake fluids or any brake fluid having a minimum boiling point of 500° F (260° C) and complying with FMVSS 116 DOT 4.

Windscreen washers

Screen washer fluid.

Engine cooling system (petrol and diesel models)

Use carboxylate formula/organic acid technology (OAT) based coolant. This is an extended life ethylene glycol based coolant containing no phosphates, silicates, borates, nitrates, amines or methanol.

The specific gravity of a 50% anti-freeze solution at 68° F (20° C) is 1.075 and protects against frost down to -33° F (-36° C).

Inertia reel seat belts

DO NOT LUBRICATE. These are lubricated for life during manufacture.

Battery terminals

Petroleum jelly. DO NOT use silicone grease.

Door locks

Lubricate at normal service intervals with FUCHS RENOCAL FN745.

General data

CAPACITIES

The following capacities are approximate and are provided as a guide only. All oil levels must be checked using the dipstick or level plugs as applicable.

Fuel tank	
- petrol	100 litres
- diesel	90 litres
Engine sump	
- petrol models (including filter)	6.6 litres
- diesel models (including filter)	9.5 litres
Manual gearbox	
- initial fill	2.7 litres
- fill after draining	2.4 litres
Automatic gearbox	
- V8i 4.0 litre petrol models	9.7 litres
- V8i 4.6 litre petrol models	9.7litres
- diesel models	9.7 litres
Transfer box	2.3 litres
Front differential	1.7 litres
Rear differential	1.7 litres
Cooling system	11.3 litres
Washer reservoir	6.0 litres

General data

ENGINES

2.5 litre diesel

Bore	80 mm
Stroke	82.8 mm
Number of cylinders	6
Compression ratio	22.5:1
Cylinder capacity	2497 cm ³
Tappets	hydraulic - self adjusting

4.0 litre petrol

Bore	94 mm
Stroke	71.12 mm
Number of cylinders	8
Compression ratio -	
low compression	8.2:1
high compression	9.35:1
Cylinder capacity	3950 cm ³
Spark plug type	RC11PYPB4
Spark plug gap	0.95 - 1.05 mm
Tappets	hydraulic - self adjusting
Rev limiter (fuel cut-off point)	5,500 rev/min

4.6 litre petrol

Bore	94 mm
Stroke	82 mm
Number of cylinders	8
Compression ratio -	
low compression	8.36:1
high compression	9.35:1
Cylinder capacity	4555 cm ³
Spark plug type	RC11PYPB4
Spark plug gap	0.95 - 1.05 mm
Tappets	hydraulic - self adjusting
Rev limiter (fuel cut-off point)	5,500 rev/min

General data

STEERING

Steering wheel turns lock to lock	3.2 turns
Camber angle (at kerb weight)	0°
Castor angle (at kerb weight)	4°
King pin inclination	8°
Front wheel toe out	0.60 mm to 1.80 mm
Turning circle between kerbs	11.89 m

ELECTRICAL SYSTEM

Type	negative earth
Voltage	12 volt
Battery - petrol models	type 072 (72 amp/hr)
diesel models	type 664 (107 amp/hr)
Charging circuit	Alternator
Ignition circuit	EMS - Programmed

DIMENSIONS

Overall length (bumper to bumper)	4713 mm
Overall length (including UK/Europe towbar)	4804 mm
Overall width (excluding door mirrors)	1889 mm
Overall height (at STANDARD ride height)	1817.5 mm
Wheelbase	2745 mm
Track - front	1540 mm
rear	1530 mm

General data

APPROACH, DEPARTURE AND BREAKOVER ANGLES

NOTE: All figures are ride height figures for vehicles with either 235/70 x 16 or 255/65 x 16 tyres at EEC kerb weight and are given in degrees.

Front - approach angle

	CRAWL & ACCESS	LOW	STANDARD	HIGH
To bib spoiler*	24°	28°	31°	34°
To bumper	28°	32°	34°	38°

* It is recommended that the bib spoiler is removed for all serious off-road driving.

Rear - departure angle

	CRAWL & ACCESS	LOW	STANDARD	HIGH
To crossmember	24°	27°	29°	32°

Breakover angle

	CRAWL & ACCESS	LOW	STANDARD	HIGH
	160°	156°	154°	151°

General data

WEIGHTS

	2.5 litre diesel	4.0 litre petrol	4.6 litre petrol
Max. front axle weight	1320 kg	1320 kg	1320 kg
Max. rear axle weight	1840 kg	1840 kg	1840 kg
Gross vehicle weight	2780 kg	2780 kg	2780 kg

EEC KERB WEIGHT AND DISTRIBUTION

	2.5 diesel manual	2.5 diesel auto
EEC kerb weight	2115 kg	2130 kg
Front axle	1110 kg	1120 kg
Rear axle	1005 kg	1010 kg

	4.0 litre manual	4.0 litre auto	4.6 litre auto
EEC kerb weight	2090 kg	2100 kg	2220 kg
Front axle	1095 kg	1100 kg	1165 kg
Rear axle	995 kg	1000 kg	1055 kg

EEC kerb weight = unladen weight + full fuel tank + 75 kg driver.

NOTE: Axle weights are non-additive. The individual maximum axle weights and gross vehicle weights must not be exceeded.

TOWING WEIGHTS (all models)

	On-road	Off-road
Unbraked trailers	750 kg	500 kg
Trailers with overrun brakes	3,500 kg	1,000 kg
Trailers with coupled brakes	3,500 kg	1,000 kg
Nose weight (off-road & on-road)	150 kg	
Roof rack load	75 kg	

NOTE: All weight figures are subject to local restrictions. It is the owners responsibility to ensure that all territorial towing regulations are complied with.

General data

FUEL

Diesel	to EN 590 specification	
	Minimum Cetane No. 45	
Petrol (Minimum requirement)		
Catalyst vehicles		
High compression engines	95 RON Unleaded	} to EN 228 specification
Low compression engines	91 RON Unleaded	
Non-catalyst vehicles		
Low compression engines	91 RON leaded or unleaded	

General data

WHEELS & TYRES

Road wheel nut torque	108 Nm	
Wheel sizes	8J x 16 (use with 255/65 tyres) 8J x 18 (use with 255/55 tyres)	
	Front	Rear
255/65 x 16 radial		
255/55 x 18 radial		
All load conditions	1.9 bar	2.6 bar
	2.0 kgf/cm ²	2.7 kgf/cm ²

WARNING

Tyre pressures must be checked with the tyres cold, as the pressure is approximately 0.2 bar, 0.2 kgf/cm higher at running temperature. If the vehicle has been parked in the sun or high ambient temperatures, DO NOT reduce the tyre pressures; move the vehicle into the shade and wait for the tyres to cool before checking the pressures.

SECTION 6

Parts & accessories

Section Contents	Page
Parts & accessories	191
Electrical equipment	191
After sales service	191
Travelling abroad	191

Parts & accessories

PARTS & ACCESSORIES

Your vehicle has been designed, built and tested to cope with a variety of off-road driving conditions, some of which can place the severest possible demands on control systems and components. As such, fitting replacement parts and accessories that have been developed and tested to the same stringent standards as the original components will safeguard the continued reliability, safety and performance of your vehicle.

To augment the vehicle's already impressive performance, a comprehensive range of Land Rover-approved spare parts and accessories is available, enabling the vehicle to fulfil a wide variety of roles, and enhancing and protecting the vehicle in the many tasks to which it can be applied.

Land Rover parts are the only parts built to original equipment specifications AND approved by Land Rover designers; this means that every single part and accessory has been rigorously tested by the same engineering team that designed and built the vehicle and can therefore be guaranteed for twelve months with unlimited mileage.

A full list and description of all accessories is available from your Land Rover dealer.

WARNING

The fitting of non-approved parts and accessories, or the carrying out of non-approved alterations or conversions, may be dangerous and could affect the safety of the vehicle and occupants, and also invalidate the terms and conditions of the vehicle warranty.

Electrical equipment

It is extremely hazardous to fit parts or accessories where installation requires the dismantling of, or addition to, either the electrical or fuel systems. If an airbag SRS is fitted to your vehicle, it is recommended that you consult a Land Rover dealer before fitting any accessory.

Fitting inferior quality parts or accessories, may be dangerous and could invalidate the vehicle warranty.

After sales service

The After Sale Parts service is of paramount importance, both in the UK and across the world. In the UK, there are over 100 authorised Land Rover dealers, all computer-linked for rapid ordering of parts and accessories.

In addition, with franchised representation in over 100 countries worldwide, Land Rover are able to support your vehicle wherever you go.

Only Land Rover dealers are able to provide the full range of recommended parts and accessories that meet our rigorous standards of safety, durability and performance.

Travelling abroad

In some countries it is illegal to fit parts that do not conform to the vehicle manufacturer's specification. Owners should ensure that any parts or accessories fitted while travelling abroad, also conform to the legal requirements of their home country.

SECTION 7

Off-road driving

This section of the handbook is devoted to your vehicle's superb off-road driving capabilities.

*Before venturing off-road however, it is **absolutely essential** that inexperienced drivers become fully familiar with the vehicle's controls, in particular the transfer gearbox, and also study the off-road driving techniques described on the following pages.*

Section Contents	Page
Basic off-road techniques	195
Driving on soft surfaces & dry sand	198
Driving on slippery surfaces	199
Driving on rough tracks	200
Climbing steep slopes	200
Descending steep slopes	201
Traversing a slope	202
Negotiating a 'V' shaped gully	202
Driving in existing vehicle tracks	202
Crossing a ridge	203
Crossing a ditch	203
Wading	203
Bib spoiler	204

Off-road driving

WARNING

Off-road driving can be hazardous!

- ***DO NOT take unnecessary risks.***
 - ***Be prepared for emergencies at all times.***
 - ***Familiarise yourself with the recommended driving techniques in order to minimise risks to yourself, your vehicle AND your passengers.***
 - ***Remove the CD autochanger (if fitted) before arduous off-road driving.***
 - ***Always wear a seat belt for personal protection in all off-road driving conditions.***
 - ***DO NOT drive if the fuel level is low - undulating ground and steep inclines could cause fuel starvation to the engine and consequent damage to the catalytic converter.***
 - ***Driving Off-road with a loaded roof rack is NOT recommended. If it is necessary to stow luggage on the roof rack while driving off-road, all loads MUST be removed before traversing side slopes.***
-

BASIC OFF-ROAD TECHNIQUES

These basic driving techniques are an introduction to the art of off-road driving and do not necessarily provide the information needed to successfully cope with every single off-road situation.

We strongly recommend that owners who intend to drive off-road frequently, should seek as much additional information and practical experience as possible.

Gear selection - manual gearbox

Correct gear selection is possibly the single most important factor for safe and successful off-road driving. While only experience will tell you which is the correct gear for any section of ground, the following basic rules apply:

- NEVER change gear or de-clutch while negotiating difficult terrain; the drag on the wheels may cause the vehicle to stop when the clutch is depressed and restarting may be difficult.
- Generally, and especially where slippery or soft ground conditions prevail, the higher the gear you select the better.
- When descending very steep slopes, always select first gear in LOW range.

Inexperienced drivers are advised to stop the vehicle and carefully consider which gear will be the most appropriate for each manoeuvre before continuing.

Off-road driving

Slipping the clutch

Use of excessive clutch slip to prevent the engine stalling will result in premature clutch wear. Always select a gear low enough to enable the vehicle to proceed without the need to slip the clutch.

DO NOT drive with your foot resting on the clutch pedal; driving across uneven terrain could cause you to inadvertently depress the clutch, resulting in loss of control of the vehicle.

Gear selection - automatic gearbox

On automatic models, with the gearshift lever set at 'D', the gearbox automatically provides the correct gear for the appropriate gear range selected (HIGH or LOW). Remember that position '1' will hold the gearbox in first gear to give maximum engine braking when required.

HIGH range gears should be used whenever possible; only change to the LOW range when ground conditions become very difficult. Uncontrolled spinning of individual wheels will be limited by the viscous coupling unit which is combined with the centre differential.

Braking

As far as possible, vehicle speed should be controlled through correct gear selection.

Application of the pedal should be kept to an absolute minimum. Harsh braking on wet, muddy or loose surfaces could prove dangerous.

NOTE: *If the correct gear has been selected, braking will be largely unnecessary.*

Use of engine for braking

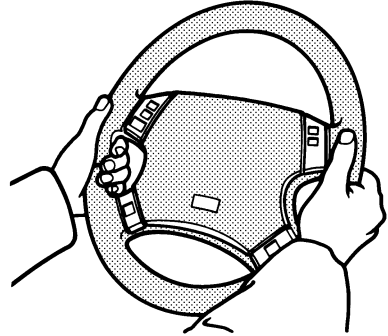
Before descending steep slopes, stop the vehicle at least its length before the descent, move the gearshift lever to 'N', engage LOW range and then select first or second gear ('1' or '2' for automatic transmission) depending on the severity of the incline.

While descending the slope it should be remembered that the engine will provide sufficient braking effort to control the rate of descent, and that the brakes should not be applied.

Accelerating

Use the accelerator with care; any sudden surge of power may induce wheel spin and result in loss of control of the vehicle.

Steering



P0168

WARNING

DO NOT hold the steering wheel with your thumbs inside the rim; a sudden 'kick' of the wheel as the vehicle negotiates a rut or boulder could seriously injure them. ALWAYS grip the wheel on the outside of the rim (as shown) when traversing uneven ground.

Off-road driving

Survey the ground before driving

Before negotiating difficult terrain, it is wise to carry out a preliminary survey on foot. This will minimise the risk of your vehicle getting into difficulty through a previously unnoticed hazard.

Ground clearance

For serious off-road driving ALWAYS remove the bib spoiler extension from the front bumper (if fitted).

Don't forget to allow for ground clearance beneath the chassis, axles and under the front and rear bumpers. Note that the axle differentials are situated BELOW the chassis and are positioned slightly to the LEFT of the centre of the vehicle. Note also that there are other parts of the vehicle which may come into contact with the ground; take care not to ground the vehicle.

Ground clearance is particularly important at the bottom of a steep slope, or where wheel ruts are unusually deep and where sudden changes in the slope of the ground are experienced.

On soft ground, the axle differentials will clear their own path in all but the most difficult conditions. However, on frozen, rocky or hard ground, if the vehicle's progress is halted as a result of grounding of the chassis, this will cause the vehicle to rise automatically to the 'Extended profile' ride height position. (see '*Air suspension*' for further details).

Always attempt to avoid obstacles that may foul the chassis or differentials.

Loss of traction

If the vehicle is immobile due to loss of wheel grip, the following hints could be of value:

- Avoid prolonged wheel spin; this will only make matters worse. The electronic traction control (ETC) (if fitted) will prevent wheel spin; drive will be diverted from a spinning wheel and the remaining wheel will then provide the traction necessary to overcome difficult driving conditions.
- Remove obstacles rather than forcing the vehicle across them.
- Clear clogged tyre treads.
- Reverse as far as possible, then attempt an increased speed approach; additional momentum may overcome the obstacle.
- Brushwood, sacking or any similar material placed in front of the tyres will improve tyre grip.

IMPORTANT INFORMATION

After driving off-road

Before rejoining the public highway, or driving at speeds above 40 km/h, consideration should be given to the following:

- Wheels and tyres must be cleaned of mud and inspected for damage - ensure there are no lumps or bulges in the tyres or exposure of the ply or cord structure.
- Brake discs and calipers should be examined and any stones or grit that may affect braking efficiency removed.

Servicing requirements

Vehicles operated in arduous conditions, particularly on dusty, muddy or wet terrain, and vehicles undergoing frequent or deep wading conditions will require more frequent servicing. See 'Owner maintenance' and contact a Land Rover dealer for advice.

In addition:

After wading in salt water or driving on sandy beaches, use a hose to thoroughly wash the underbody components and any exposed body panels with fresh water. This will help to protect the vehicle's cosmetic appearance.

DRIVING ON SOFT SURFACES & DRY SAND

The ideal technique for driving on soft ground and dry sand requires the vehicle to be kept moving at all times; soft ground and sand causes excessive drag on the wheels, resulting in a rapid loss of motion once driving momentum is lost. For this reason, gear changing (particularly on manual gearbox vehicles) should be avoided.

Select the highest suitable gear and REMAIN in that gear until a firm surface is reached. It is generally advisable to use LOW range gears, as these will enable you to accelerate through worsening conditions without the risk of being unable to restart.

Off-road driving

Stopping the vehicle on soft ground, in sand or on an incline

If you do stop the vehicle, remember:

Starting on an incline or in soft ground or sand is almost impossible. Always park on a firm, level area, or with the vehicle facing downhill.

To avoid wheel spin, select second or third gear and use the minimum throttle necessary to get the vehicle moving. For automatic transmission vehicles, select 'D' (or '4' if in LOW range). In LOW range, select MANUAL mode (see '*Transmissions*' for further information).

If forward motion is lost, avoid excessive use of the throttle; this will cause wheel spin and tend to dig the vehicle into the sand. Clear sand from around the tyres and ensure that the chassis and axles are not bearing on the sand before again attempting to move.

If the wheels have sunk, use an air bag lifting device or high lift jack to raise the vehicle, and then build up sand under the wheels so that the vehicle is again on level ground. If a restart is not possible, place sand mats or ladders beneath the wheels.

DRIVING ON SLIPPERY SURFACES (ice, snow, mud or wet grass)

Select the highest gear possible. On automatic transmission vehicles, select 'D' (or '4' if in LOW range). In LOW range, also select MANUAL mode. (see '*Transmissions*' for further information).

Drive away using the MINIMUM throttle possible. Drive slowly at all times, keeping braking to a minimum and avoiding violent movements of the steering wheel.

Off-road driving

DRIVING ON ROUGH TRACKS

On very rough tracks, engage the LOW gear range to enable a steady, low speed to be maintained without constant use of the clutch and brake pedals.



CLIMBING STEEP SLOPES

ALWAYS follow the line of the slope; travelling diagonally could encourage the vehicle to slide broadside down the slope.

Steep climbs will usually require the LOW gear range. If the surface is loose or slippery, use sufficient speed in the highest practical gear to take advantage of the vehicle's momentum. However, too high a speed over a bumpy surface may result in a wheel lifting, causing the vehicle to lose traction. In this case try a slower approach. Traction can also be improved by easing off the accelerator just before loss of forward motion.

If the vehicle is unable to complete a climb, do not attempt to turn it around while on the slope. Instead, adopt the following procedure to reverse downhill to the foot of the slope.

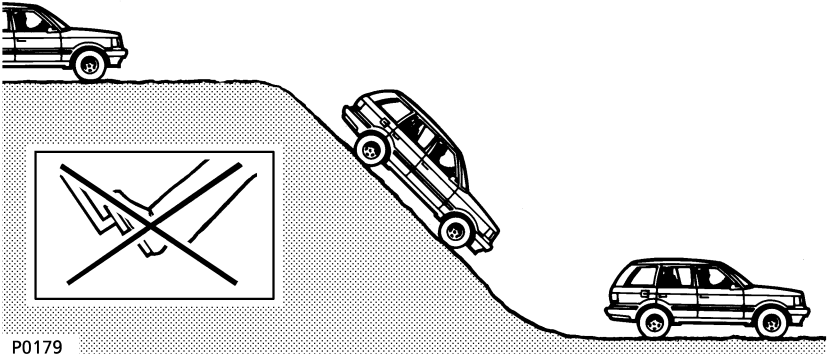
1. Hold the vehicle stationary using both foot and handbrakes.
2. Restart the engine if necessary.
3. Engage LOW range reverse gear ('R' for automatic transmission).
4. Release the handbrake. Then release the foot brake and clutch (where applicable) simultaneously, and allow the vehicle to reverse down the slope using engine braking to control the rate of descent.
5. Unless it is necessary to stop the vehicle in order to negotiate obstructions, DO NOT apply the brake or clutch pedal during the descent.
6. If the vehicle begins to slide, accelerate slightly to allow the tyres to regain grip.

When the vehicle is back on level ground or traction can be regained, a faster approach will probably enable the hill to be climbed. However, DO NOT take unnecessary risks, if the hill is too difficult to climb, find an alternative route.

WARNING

The engine must be restarted before reversing down the slope as there will be no braking effect from the gearbox unless the engine is running.

Off-road driving



DESCENDING STEEP SLOPES

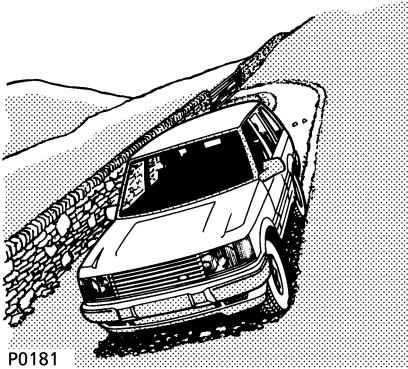
- A. Stop the vehicle at least a vehicle length before the slope, engage LOW range and then select the lowest gear.
- B. Unless it is necessary to stop the vehicle in order to negotiate obstructions, DO NOT touch the brake or clutch pedals during the descent; the engine will limit the speed, keeping the vehicle under control provided the front wheels are turning. If the vehicle begins to slide, accelerate gently to maintain directional stability. DO NOT use the brakes or attempt to change gears.

- C. Once level ground is reached, select a suitable gear for the next stage of the journey.

WARNING

Failure to follow these instructions may cause the vehicle to roll over.

Off-road driving



P0181

TRAVERSING A SLOPE

Before crossing a slope always observe the following precautions:

- Check that the ground is firm and not slippery.
- Check that the wheels on the downhill side of the vehicle are not likely to drop into any depressions in the ground and that the uphill wheels will not run over rocks, tree roots, or similar obstacles that could suddenly increase the angle of tilt.
- Ensure that passenger weight is evenly distributed, that all roof rack luggage is removed and that all other luggage is properly secured and stowed as low as possible. Always remember; any sudden movement of the load could cause the vehicle to overturn.
- Rear seat passengers should sit on the uphill side of the vehicle or, in extreme conditions, should vacate the vehicle until the sloping ground has been safely negotiated.

NEGOTIATING A 'V' SHAPED GULLY

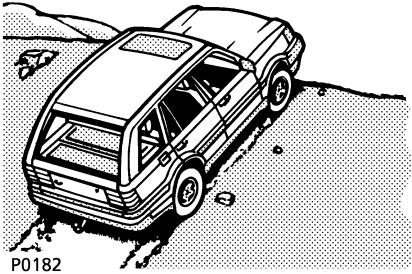
Observe extreme caution! Steering up either of the gully walls could cause the side of the vehicle to be trapped against the opposite gully wall.

DRIVING IN EXISTING VEHICLE TRACKS

As far as possible, allow the vehicle to steer itself along the bottom of the ruts. However, always keep a tight hold of the steering wheel to prevent it from spinning free.

Particularly in wet conditions, if the steering wheel is allowed to spin free, the vehicle may appear to be driving straight ahead in the ruts, but in actual fact (due to the lack of traction caused by wet ground) is unknowingly on full right or left lock. Then, when level ground is reached, or if a dry patch is encountered, the wheels will find traction and cause the vehicle to suddenly veer to the left or right.

Off-road driving



CROSSING A RIDGE

Approach at right angles so that both front wheels cross the ridge together; an angled approach could cause traction to be lost through diagonally opposite wheels lifting from the ground at the same time.

CROSSING A DITCH

Cross ditches at an angle so that three wheels always maintain contact with the ground (if approached head on, both front wheels will drop into the ditch together, possibly resulting in the chassis and front bumper being trapped on opposite sides of the ditch).

WADING

WARNING

The maximum advisable wading depth is 20 in. (0,5 metre).

Severe electrical damage may occur if the vehicle remains stationary for any length of time when the water level is above the door sills.

Before wading, ensure the electronic air suspension is set in either 'Standard' or 'High' ride height.

If the water is likely to exceed 0.5 metre while the vehicle is moving, the following precautions MUST be observed:

- Fix a plastic sheet in front of the radiator grille to prevent water from soaking the engine and mud from blocking the radiator.
- Ensure that the silt bed below the water is firm enough to support the vehicle's weight and provide sufficient traction.
- Select 'High' ride height.
- Ensure that the engine air intake is above the water level.
- Select a low gear and maintain sufficient throttle to prevent the engine from stalling. This is particularly important if the exhaust pipe is under water.
- Drive slowly into the water and accelerate to a speed which causes a bow wave to form; then maintain that speed.

At all times, keep all the doors fully closed.

Off-road driving

After wading

Drive the vehicle a short distance and apply the footbrake to check that the brakes are fully effective.

DO NOT rely on the handbrake alone to hold the vehicle stationary until the transmission has thoroughly dried out; in the meantime, use wheel chocks or leave the vehicle parked in gear.

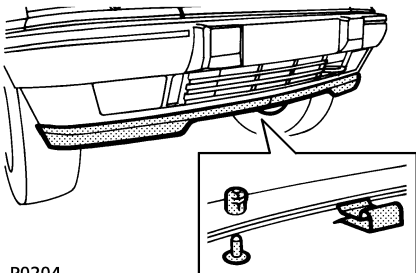
Remove any protective covering from in front of the radiator grille.

If the water was particularly muddy, remove any blockages (mud and leaves) from the radiator and oil cooler (behind spoiler on left hand side) to reduce the risk of overheating.

If deep water is regularly negotiated, check the transmission oils for signs of water contamination; contaminated oil can be identified through its 'milky' appearance. In addition, check the air filter element for water ingress, and replace if wet.

Vehicles required to undergo frequent or deep wading conditions will require more frequent servicing. See 'Owner maintenance' and contact a Land Rover dealer for advice.

If salt water is frequently negotiated, thoroughly wash the underbody components and exposed body panels, with fresh water.



P0204

BIB SPOILER (if fitted)

The vehicle has a bib spoiler extension fitted to the front bumper to improve air flow during normal driving conditions. This **MUST** be removed when considering serious off-road driving.

The bib spoiler is in two parts and is attached to the underside of the front bumper by six spring clips and eight plastic rivets.

To remove:

Using a screwdriver, remove the inner locking pins from the studs, then remove the studs.

Slide the spring clips off the bib spoiler, then separate the two halves of the spoiler.

Store all parts in a suitable container pending refitment.

To refit:

Place one half of the bib spoiler against the underside of the front bumper, install four studs and fit the locking pins and three spring clips.

Engage the other half of the bib spoiler with the first half, then fit the remaining studs and spring clips, ensuring that the locking pins are fitted to the studs.

SNOW CHAINS

Snow chains are **NOT** recommended for off-road use. For further information see 'Tyres'.

Index

A	
ABS in action!	109
Access code	16
Accessories	191
After sales service	191
Air conditioning	78
Air distribution	80
Air suspension	114
Airbag SRS	47, 175
Airbag SRS warning light	50
Anti-freeze	142
Anti-lock braking ABS	109
Anti-theft alarm indicator light	13
Anti-theft precautions	5
Anti-trap function	69, 72
Ashtray	81
Auto relock	19
Automatic temperature control (ATC)	78
Automatic transmission	103
Auxiliary equipment	94
B	
Battery charging	153
Bib spoiler	204
Body protection	174
Bonnet	138
Booster cables	128
Brake fluid check	145
Brake pads	108
Braking system	108
Breakdown safety code	6
Bulb failure messages	29
Bulbs	166
C	
Catalytic converter	95
Child restraints	45
Child-proof locks	19
Cigar lighter	82
Cleaning	174
Clock	84
Clutch	102
Cold climates	90, 92
Controls	9
Cooling system top-up	142
Courtesy & map reading lights	81
Critical warnings	23
Cruise control	112
Cubby box	84
D	
Dimensions	183
Direction indicators	62, 167, 169
Door locks	11
Door mirrors	54
Driver's seat/mirrors facility	38
Driving	96
E	
Electrical equipment	191
Electrical system	183
Electronic air suspension messages	118
Electronic traction control	111
Emergency key access code	16
Emergency starting	128
Emergency towing	102, 131
Emission control system	93
Empty fuel tank	99
Engine immobilisation	15
Engine oil level check & top-up	141
Engines	182
External temperature	80
F	
Face level vents	75
Fog guard lights (rear)	67
Fog lights (front)	170
Folding armrests	35
Front fog lights	67
Front towing eye	131
Fuel	95, 186
Fuel economy	93
Fuel filler cap	98
Fuel filler flap	98
Fuel filler flap emergency release	100
Fuel filling	98
Fuel gauge	57
Fuse failure messages	28
Fuses	162

Index

- G**
Gear changing in high range 106
Gear selection automatic gearbox 104
Gear selection manual gearbox 101
Gear selector lever 103
General data 179
Glass & mirrors 174
Glovebox 83, 173
Ground clearance 197
- H**
Halogen bulbs 166
Handbrake 108
Handset 11, 21, 153
Hazard warning lights 67
Head restraint adjustment 35, 37, 41
Headlight main & dipped beam 63, 168
Headlight wash/wipe 66, 149
Headlight wipers 149
Heated front seats 80
Heated rear screen 80
Heated windscreen 80
Heater controls 76
Height (of vehicle) 94
Height settings 115
High range gears 103
Horn 68
- I**
Important driving information 94
Indicators 62
Inertia switch 20, 100
Infant & child restraints 45
Information messages 23
Instrument dimmer control 63
Instrument pack, clock & radio 175
Instruments & warning lights 94
- J**
Jacking 157
Jump leads 128
- L**
Lazy locking 18
Lazy seats 18, 39
Leaving the vehicle 73
Lights 62
Loadspace cover 85
Loadspace light 171
Locking wheel nuts 161
Locks 11
Low range gears 104
Low temperature warning 80
Lubricants & Fluids 179
Lumbar support adjustment 37
- M**
Main gearbox 101
Maintenance 135
Manual transmission 101
Manually-operated front seats 34
Map reading lights 81
Maximum permissible towed weights 126
Message centre 23
Mirrors 54, 84, 174
Mislock 18
Mode switch (automatic transmission) ... 106
- N**
Nose weight 126
Number plate lights 171
- O**
One-touch function 69
Opening the doors 19
Overspeed warning 123
Owner maintenance 135
- P**
Parking 91
Parking lights 63
Parts & accessories 191
Poisonous liquids 137
Positioning the jack 158
Power assisted steering 94
Power steering top-up 146
Pre-tensioners 44
Puddle lights 170
- R**
Radio remote switches 68
Radio/cassette & CD player 154, 175
Rear ashtray 82
Rear courtesy & reading lights 172
Rear footwell light 172

Index

Rear screen wash/wipe	66	Technical data	179
Rear seat	40	Telephones	86
Rear towing eye	131	Temperature gauge	57
Rear window isolation switch	71	Testing inertia reel seat belts	46
Rear-view mirror	84	Towball fitting	125
Replacement tyres	148	Towing	120, 124
Reversing lights	170	Towing for recovery	107, 131
Ride height settings	115	Towing weights	185
Road testing on dynamometers	136	Traction control	111
Roof rack	127	Trailer socket	127
Running-in	93	Transfer gearbox	101
S		Transporter or trailer lashing	132
Safety in the garage	137	Travelling abroad	191
Safety on the forecourt	99	Trip computer	121
Seat belt pre-tensioners	44	Trip computer overspeed warning	123
Seat belt safety	42	Trip recorder	56
Seat belts	175	Tyres	147, 187
Seats	34	V	
Security Card	10	Vanity mirror illumination	81, 173
Security information card	16	Vehicle height	3, 94
Selector lever positions	105	Vehicle identification	5
Service Portfolio	3, 135	Vehicle stability	94
Side lights	62, 167	Vehicle weights	126, 185
Side repeater lights	170	Ventilation	75
Snow chains	148, 204	W	
Spare wheel	156	Wading	203
Speedometer	56	Warming-up	90, 92
Starter switch	89	Warning labels attached to the vehicle	3
Starting & driving	90, 91, 95	Warning lights	58
Steering	136, 183, 196	Washer jets	66, 149
Steering column adjustment	53	Washing your vehicle	174
Steering column lock	89	Weights	185
Steering wheel switches	68	Wheel changing	155
Stop lights	169, 172	Wheel chocks	155
Sun visor vanity mirror	81	Wheel nut torque	187
Sunroof	72	Wheels & tyres	187
Superlocking	13	Windows	69
Switches	67	Windscreen washer	65
T		Windscreen washer top-up	144
Tachometer	56	Windscreen wipers	64
Tail lights	169	Wiper blade replacement	150
Tailgate	22		